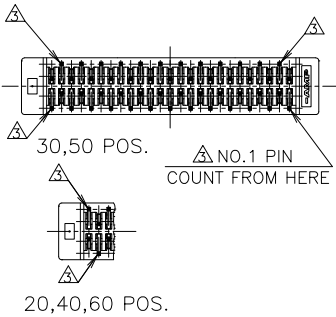
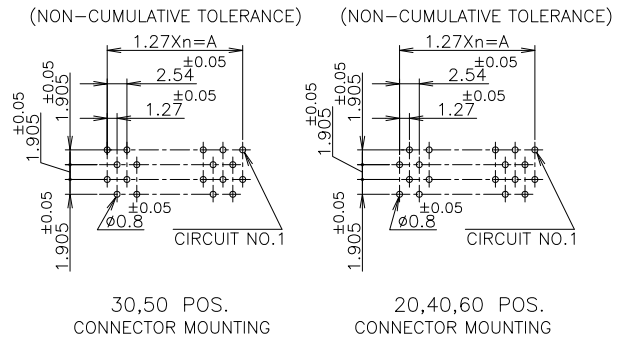
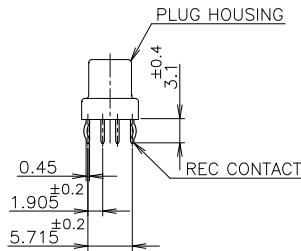
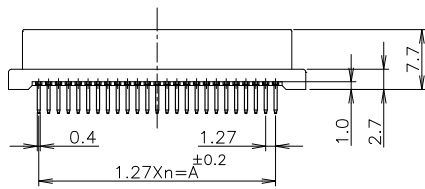
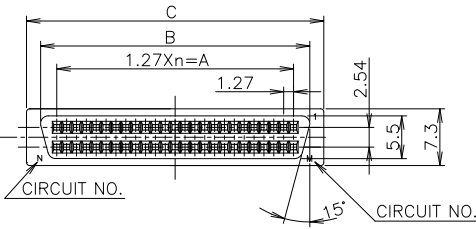


THIS DRAWING IS UNPUBLISHED. RELEASED FOR PUBLICATION AUG. 2004.
 © COPYRIGHT 2004 BY TYCO ELECTRONICS CORPORATION. ALL RIGHTS RESERVED.

LOC	DIST	REVISIONS				
P	LTR	DESCRIPTION	DATE	DWN	APVD	
	O	RELEASED	FJBO-0871-04	24AUG04	C.W I.E	
	O1	REVISED PER ECO-09-024927		09NOV09	KK AEG	



- △ MATERIAL & FINISH
 PLUG HOUSING: THERMOPLASTIC (UL94V-0)
 COLOR: BLACK.
 REC CONTACT: COPPER ALLOY.
 FINISH: OVER NICKEL, MATING END:
 0.0002 OR 0.00076 MIN. GOLD,
 TERMINATION END: TIN. AND SEALING TREATMENT
 ALL OVER.
- 2 P.W.B. LAYOUT AND P.W.B. TREATMENT (REF.)
 P.W.B. SURFACE ARE TREATED WITH SOLDER RESIST.
 BOARD THICKNESS: 1.6mm.
- △ ON KINK POINT (4 PLACES).
- △ OBSOLETE PARTS: OBSOLETE CIS STREAMLINING PER D.RENAUD/D.SINISI

REMARK	N	M	A	B	C	n	POS.	PART NO.		
△ OBSOLETE	Au PL.	20	11	11.43	15.60	19.20	9	20	6-	-5
	0.00076	60	31	36.83	41.00	44.60	29	60	6-	-4
	MIN.	50	26	30.48	34.65	38.26	24	50	6-	-3
△ OBSOLETE		40	21	24.13	28.30	31.90	19	40	6-	-2
		30	16	17.78	21.95	25.55	14	30	6-	-1
	Au PL.	20	11	11.43	15.60	19.20	9	20		-5
	0.0002	60	31	36.83	41.00	44.60	29	60		-4
	MIN.	50	26	30.48	34.65	38.26	24	50		-3
		40	21	24.13	28.30	31.90	19	40		-2
		30	16	17.78	21.95	25.55	14	30		-1

LEAD FREE

GENERAL TOLERANCE
10 ≥ : ±0.2
30 ≥ > 10 : ±0.25
100 ≥ > 30 : ±0.3
ANGLES : ±3°

THIS DRAWING IS A CONTROLLED DOCUMENT.

DIMENSIONS:	TOLERANCES UNLESS OTHERWISE SPECIFIED:	DWN	24AUG04	Tyco Electronics AMP K.K. Kawasaki, Japan	
MM	0 PLC ± -	CHK	24AUG04		
	1 PLC ± -	APVD	24AUG04		
	2 PLC ± -	NAME			
	3 PLC ± -	PRODUCT SPEC 108-60036			
	4 PLC ± -	APPLICATION SPEC			
MATERIAL	FINISH	SIZE	CAGE CODE	DRAWING NO	RESTRICTED TO
		A3	00779	C-5175710	
CUSTOMER DRAWING		SCALE	NTS	SHEET	1 OF 1
		REV			01