

4

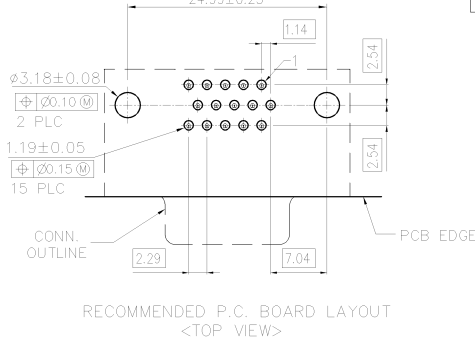
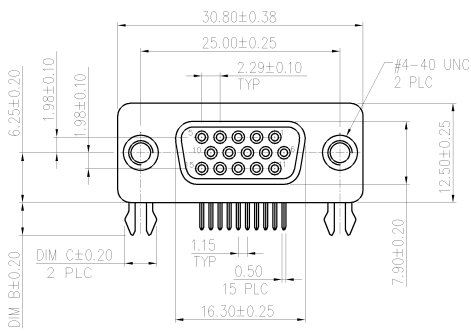
3

2

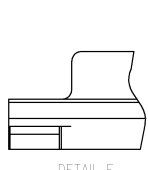
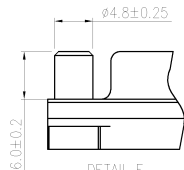
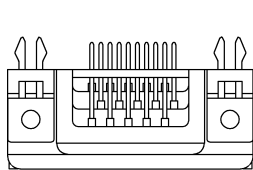
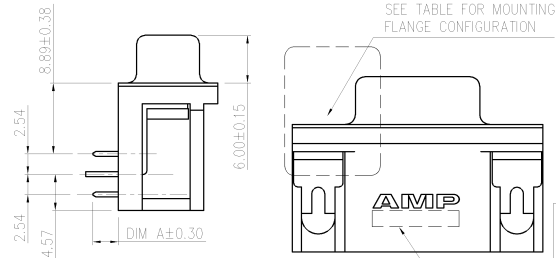
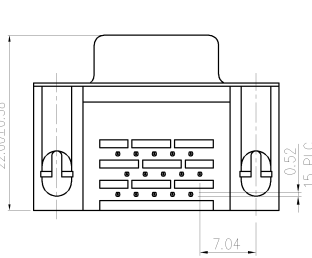
1

THIS DRAWING IS UNPUBLISHED. RELEASED FOR PUBLICATION. ALL RIGHTS RESERVED.

LOC	DIST	REVISIONS					
DW		P	LTR	DESCRIPTION	DATE	DWN	APVD
		B2		REVISED (ECR-11-012386)	20JUN11	JL	WK



- NOTES:
- MATERIAL:
    - HOUSING: THERMOPLASTIC(NY9T), UL 94V-0 RATED,BLACK
    - CONTACTS: PHOPHOR BRONZE
    - SHELL: SPCC
    - BOARDLOCKS: BRASS
    - RIVET: BRASS
    - SCREWLOCK: BRASS
  - FINISH:
    - CONTACT: GOLD PLATING ON CONTACT AREA. (SEE TABLE)
    - 2.54µm[100µ"] MIN. MATTE TIN PLATING ON SOLDER TAIL AREA, 1.27µm[50µ"] MIN. NICKEL UNDERPLATING OVERALL.
    - BOARDLOCK: 2.54µm[100µ"] MIN MATTE TIN PLATING 1.27µm[50µ"] MIN NICKEL UNDERPLATING OVERALL.
    - SHELL: NICKEL PLATED
    - RIVET: NICKEL PLATING 0.76µm[30µ"] OVERALL.
    - FIXED SCREWLOCK: NICKEL PLATING 0.76µm[30µ"] OVERALL. MEETS 6 IN-LB TORQUE.
  - RECOMMENDED PCB THICKNESS: 1.6 mm
  - REFLOW SOLDER CAPABLE TO 260°C
  - PER TE CONNECTIVITY SPEC. 109-201, CONDITION B. NET WEIGHT: 10.24 g/pcs. (WITH SCREWLOCK) 8.24 g/pcs. (W/O SCREWLOCK)
- BOARDLOCK INSERTION FORCE: 1.5±0.5 kgf [15±5 N] FOR 5-1734530-3 & 6-1734530-3 ONLY.



TAPE&REEL	DETAIL E	W/	3.78	3.20	3.18	30 µ"	5-1734530-3
TUBE	DETAIL F	W/	4.00	4.10	3.18	30 µ"	2-1734530-3
TRAY	DETAIL F	W/	4.00	4.10	3.18	30 µ"	1-1734530-3
TRAY	DETAIL F	W/	4.00	4.10	3.18	G/F	1-1734530-1
TRAY	DETAIL E	W/	4.00	4.10	3.18	30 µ"	1734530-3
TAPE&REEL	DETAIL F	W/	3.78	3.20	3.18	30 µ"	6-1734530-3
TRAY	DETAIL F	W/O	4.00	4.10	3.18	30 µ"	3-1734530-3
TUBE	DETAIL F	W/	4.00	4.10	3.18	15 µ"	2-1734530-2
TUBE	DETAIL F	W/	4.00	4.10	3.18	G/F	2-1734530-1
TRAY	DETAIL F	W/	4.00	4.10	2.16	30 µ"	1-1734530-6
TRAY	DETAIL F	W/	4.00	4.10	2.16	15 µ"	1-1734530-5
TRAY	DETAIL F	W/	4.00	4.10	2.16	G/F	1-1734530-4
TRAY	DETAIL F	W/	4.00	4.10	3.18	15 µ"	1-1734530-2
TRAY	DETAIL E	W/	4.00	4.10	2.16	30 µ"	1734530-6
TRAY	DETAIL E	W/	4.00	4.10	2.16	15 µ"	1734530-5
TRAY	DETAIL E	W/	4.00	4.10	2.16	G/F	1734530-4
TRAY	DETAIL E	W/	4.00	4.10	3.18	15 µ"	1734530-2
TRAY	DETAIL E	W/	4.00	4.10	3.18	G/F	1734530-1
PACKAGING	MOUNTING FLANGE CONFIGURATION	BOARDLOCK OPTION	DIM C	DIM B	DIM A	Gold Finish	PART NO.

THIS DRAWING IS A CONTROLLED DOCUMENT.

DWN: J. LEE, 22MAR2007  
 CHK: S. HOU, 22MAR2007  
 APVD: W. J. KE, 22MAR2007

DIMENSIONS: MM, TOLERANCES UNLESS OTHERWISE SPECIFIED:

0 PLC	± -
1 PLC	± 0.38
2 PLC	± 0.25
3 PLC	± 0.15
4 PLC	± -
ANGLES	± -

MATERIAL: SEE NOTE, FINISH: SEE NOTE

STE TE Connectivity

RECEPTACLE ASSY, SIZE 1, 15 POSITION, RIGHT ANGLE, THROUGH HOLE

PRODUCT SPEC: 108-57541  
 QUALIFICATION TEST REPORT: 501-57623  
 WEIGHT: SEE NOTE

SIZE: A3, CAGE CODE: 00779, DRAWING NO: C-1734530

CUSTOMER DRAWING, SCALE: 1, SHEET 1 of 4, REV B2

4

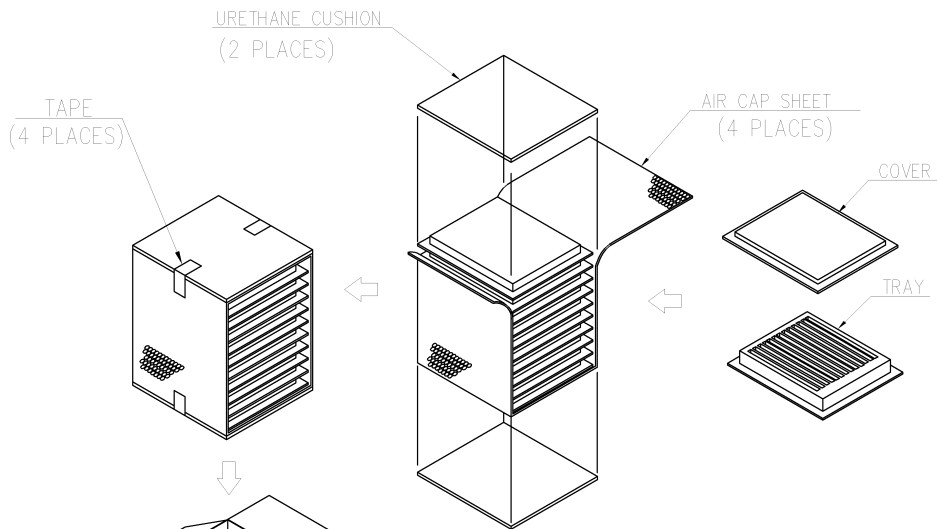
3

2

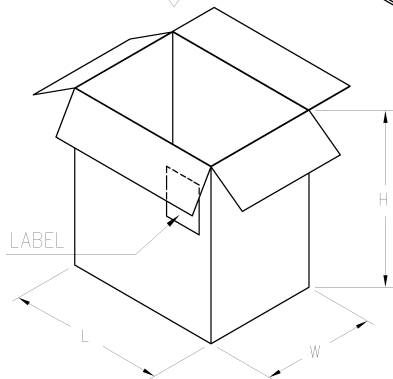
1

THIS DRAWING IS UNPUBLISHED. RELEASED FOR PUBLICATION  
 © COPYRIGHT - BY - ALL RIGHTS RESERVED.

LOC		DIST		REVISIONS			
P	LTR	DESCRIPTION	DATE	DWN	APVD		
SEE SHEET 1.							



- NOTES:
- MATERIAL:
    - 1.1 TRAY: PVC
    - 1.2 SHIPPING CARTON: CORRUGATED FIBERBOARD
  - DIMENSION:
    - 2.1 TRAY: L=320, W=230, H=18.9
    - 2.2 SHIPPING CARTON: L=361, W=245, H=272
  - QUANTITY:
    - 3.1 PRIMARY PACKING: 100 PCS/TRAY
    - 3.2 SECONDARY PACKING: 10 TRAY/CARTON(1000PCS)
  - CARTON WEIGHT:
    - 4.1 NET WEIGHT: 10.24 Kg (W/SCREWLOCK)
    - 4.2 GROSS WEIGHT: 11.24 Kg (W/SCREWLOCK)
    - 4.3 NET WEIGHT: 8.24 Kg (W/O SCREWLOCK)
    - 4.4 GROSS WEIGHT: 9.24 Kg (W/O SCREWLOCK)



THIS DRAWING IS A CONTROLLED DOCUMENT.		DWN	<b>STE</b> TE Connectivity															
		CHK																
DIMENSIONS: MM		APVD	NAME															
<table border="1"> <thead> <tr> <th colspan="2">TOLERANCES UNLESS OTHERWISE SPECIFIED:</th> </tr> </thead> <tbody> <tr> <td>0 PLC</td> <td>± -</td> </tr> <tr> <td>1 PLC</td> <td>± -</td> </tr> <tr> <td>2 PLC</td> <td>± -</td> </tr> <tr> <td>3 PLC</td> <td>± -</td> </tr> <tr> <td>4 PLC</td> <td>± -</td> </tr> <tr> <td>ANGLES</td> <td>± -</td> </tr> </tbody> </table>		TOLERANCES UNLESS OTHERWISE SPECIFIED:		0 PLC	± -	1 PLC	± -	2 PLC	± -	3 PLC	± -	4 PLC	± -	ANGLES	± -	PRODUCT SPEC	RECEPTACLE ASSY, SIZE 1, 15 POSITION, RIGHT ANGLE, THROUGH HOLE	
TOLERANCES UNLESS OTHERWISE SPECIFIED:																		
0 PLC	± -																	
1 PLC	± -																	
2 PLC	± -																	
3 PLC	± -																	
4 PLC	± -																	
ANGLES	± -																	
MATERIAL		APPLICATION SPEC	SIZE	RESTRICTED TO														
FINISH		WEIGHT	A3 00779 ©-1734530															
		CUSTOMER DRAWING	SCALE	SHEET 2 of 4 REV B2														

4

3

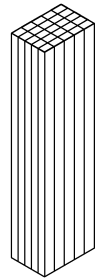
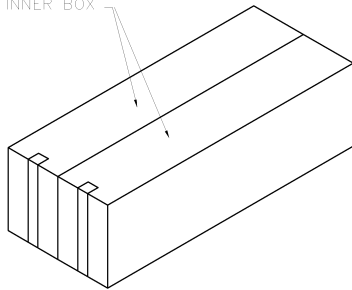
2

1

THIS DRAWING IS UNPUBLISHED. RELEASED FOR PUBLICATION  
 © COPYRIGHT - BY - ALL RIGHTS RESERVED.

LOC		DIST		REVISIONS			
P	LTR	DESCRIPTION	DATE	DWN	APVD		
		SEE SHEET 1.					

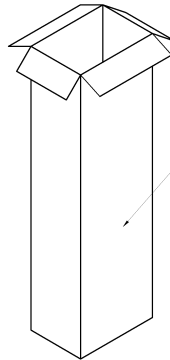
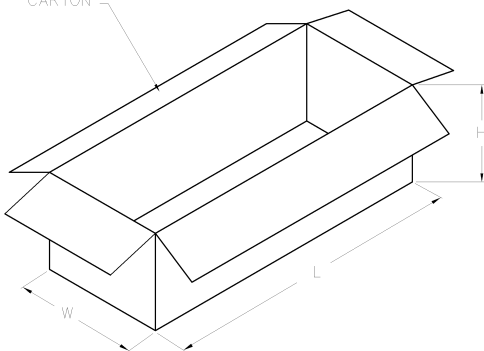
INNER BOX



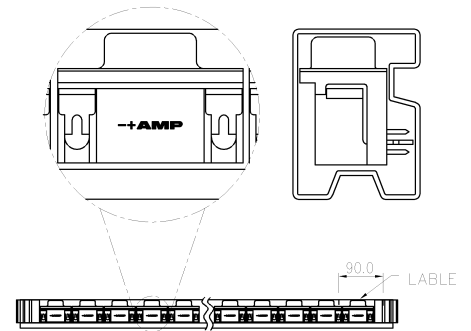
TUBE

- NOTES:
- MATERIAL:
    - TUBE: PVC
    - SHIPPING CARTON: CORRUGATED FIBERBOARD
  - DIMENSION:
    - TUBE: L=560, W=17.8, H=27.4
    - SHIPPING CARTON: L=600, W=245, H=195
  - QUANTITY:
    - PRIMARY PACKING: 17 PCS/TUBE
    - SECONDARY PACKING: 25 TUBE/BOX
    - THIRD PACKING: 2 BOX/CARTON(850PCS)
  - CARTON WEIGHT:
    - NET WEIGHT: 8.7 Kg (W/O SCREWLOCK)
    - GROSS WEIGHT: 9.7 Kg (W/O SCREWLOCK)

CARTON



INNER BOX



THIS DRAWING IS A CONTROLLED DOCUMENT.		DWN	<b>TE Connectivity</b>			
DIMENSIONS: MM 		CHK	NAME			
TOLERANCES UNLESS OTHERWISE SPECIFIED: 0 PLC ± - 1 PLC ± - 2 PLC ± - 3 PLC ± - 4 PLC ± - ANGLES ± -		APVD	RECEPTACLE ASSY, SIZE 1, 15 POSITION, RIGHT ANGLE, THROUGH HOLE			
MATERIAL	FINISH	PRODUCT SPEC	SIZE	CAGE CODE	DRAWING NO	RESTRICTED TO
		APPLICATION SPEC	A.3	00779	©-1734530	
		WEIGHT	CUSTOMER DRAWING		SCALE	SHEET 3 of 4
						REV B2

4

3

2

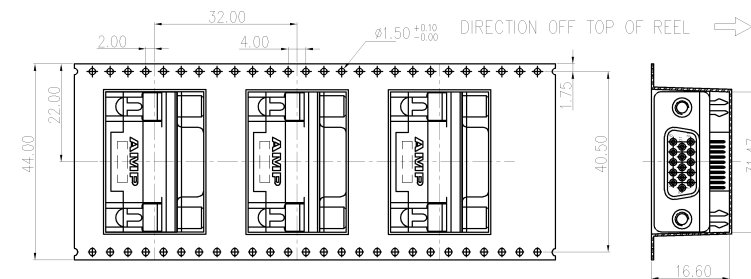
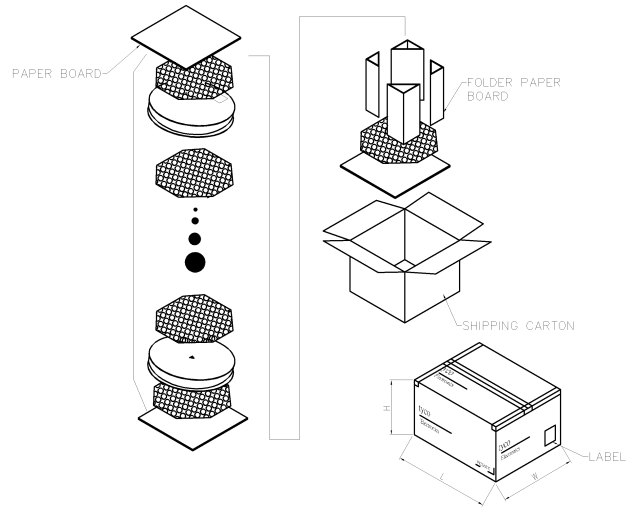
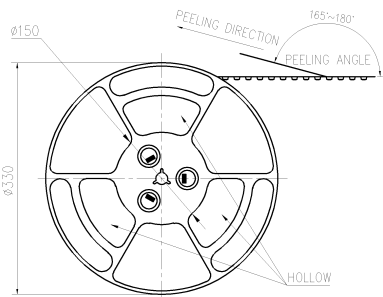
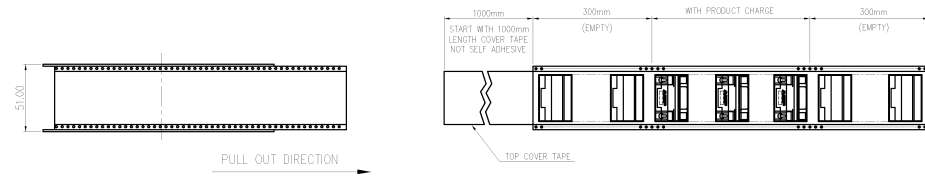
1

THIS DRAWING IS UNPUBLISHED. RELEASED FOR PUBLICATION. ALL RIGHTS RESERVED.

LOC: DW DIST:  P:  LTR:

REVISIONS

DESCRIPTION	DATE	DWN	APVD
SEE SHEET 1.			



PRODUCT TYPE	PCS/REEL	REEL/CARTON	TOTAL(PCS)	CTN SIZE (CM)	NW(Kg)	GW(Kg)
D-SUB H/D 15P	100	6	600	360X360X350	5.4	5.9

THIS DRAWING IS A CONTROLLED DOCUMENT.

DIMENSIONS:	TOLERANCES UNLESS OTHERWISE SPECIFIED:
MM	0 PLC ± -
	1 PLC ± -
	2 PLC ± -
	3 PLC ± -
	4 PLC ± -
	ANGLES ± -
MATERIAL	FINISH

<b>STE</b> TE Connectivity			
RECEPTACLE ASSY, SIZE 1, 15 POSITION, RIGHT ANGLE, THROUGH HOLE			
SIZE	CAGE CODE	DRAWING NO.	RESTRICTED TO
A3	00779	C-1734530	
CUSTOMER DRAWING		SCALE	SHEET 4 of 4 REV B2