

4

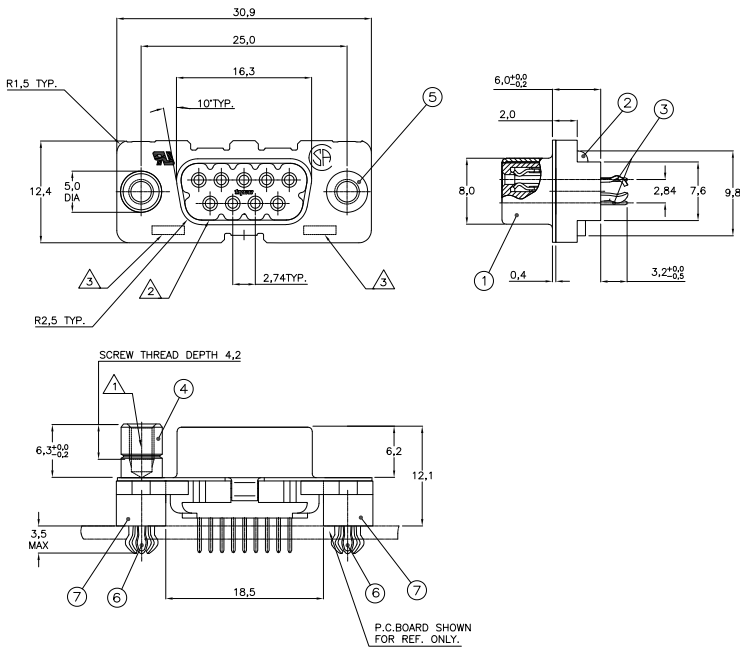
3

2

1

THIS DRAWING IS UNPUBLISHED. RELEASED FOR PUBLICATION. ALL RIGHTS RESERVED.

| LOC | DIST | REV | DESCRIPTION | DATE | BY | APP |
|-----|------|-----|---------------------------|---------|-----|-----|
| H | - | F2 | REVISED PER ECO-11-005294 | 05APR11 | RIK | HMR |



| ACCESSORIES PREFIX | DESCRIPTION | QTY | UNIT |
|--------------------|---------------------------------------|-----|------|
| 5 | BUSHING WITH THROUGH-HOLE 3,1 DIA. | 2 | 2 |
| 5 | BUSHING WITH THREAD 4-40 UNC | 2 | 2 |
| 5 | BUSHING WITH THREAD M3 | 2 | 2 |
| 4 | FEMALE SCREWLOCK WITH THREAD 4-40 UNC | 2 | 2 |
| 4 | FEMALE SCREWLOCK WITH THREAD M3 | 2 | 2 |
| 6 | BOARDLOCK | 2 | 2 |

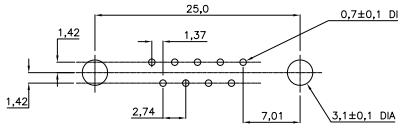
| ITEM | DESCRIPTION OF ACCESSORY |
|------|--------------------------|
| 9 | POS.-----> Z-338313-Y |
| | 9 POS.-----> Z-338313-Y |
| | 9 POS.-----> Z-338313-Y |
| | 9 POS.-----> Z-338313-Y |
| | 9 POS.-----> Z-338313-Y |
| | 9 POS.-----> Z-338313-Y |
| | 9 POS.-----> Z-338313-Y |
| | 9 POS.-----> Z-338313-Y |
| | 9 POS.-----> Z-338313-Y |
| | 9 POS.-----> Z-338313-Y |

| PLATING SUFFIX | DESCRIPTION |
|----------------|---|
| -Y | GOLD OVER NICKEL AS PER PERFORMANCE LEVEL 2 (DIN 41652) |
| -Z | SOLDER-PART :TIN-PLATING 3µm |

- △ GROOVE INDICATES VERSION WITH 4-40 UNC INNER THREAD; WITHOUT GROOVE INDICATES VERSION WITH M3 INNER THREAD.
- △ CAVITY IDENTIFICATION AT FRONT SIDE ONLY.
- △ PARTNUMBER AND DATE CODE.
- 4. WHEN BOARDLOCKS ARE USED, CONNECTOR CAN BE USED FOR PCB THICKNESS OF 1,6 mm ONLY.
- 5. AIR AND CREEPAGE DISTANCES ACCORDING TO DIN 41652

- ITEM NRS./MATERIAL :
- ① SHELL = BRIGHT TINPLATED STEEL
 - ② HOUSING = GLASSFILLED POLYESTER, COLOR : BLACK
 - ③ CONTACTS = PHOSPHORBRONZE (PLATING : SEE TABLE ABOVE)
 - ④ FEMALE SCREWLOCK = TINPLATED STEEL (INNER THREAD 4-40 UNC OR M3)
 - ⑤ BUSHING = TINPLATED STEEL (INNER THREAD 4-40 UNC OR M3 OR 3,1 DIA. THROUGH-HOLE)
 - ⑥ BOARDLOCK = TINPLATED PHOSPHORBRONZE
 - ⑦ STAND OFF = ULTRAMILD VO COLOR : BLACK

RECOMMENDED P.C. BOARD HOLE-LAYOUT



| | | | | |
|--|---|--------------------------|---|-------------------|
| THIS DRAWING IS A CONTROLLED DOCUMENT. | | DRW: J.V. LIEMPT 01JUL97 | TE Connectivity | |
| DIMENSIONS: mm | | CHK: C. SOUSA 09SEP97 | TE Connectivity | |
| TOLERANCES UNLESS OTHERWISE SPECIFIED: | | APP: F. LEVENS | HD-20 SIZE 1 | |
| 0 PLC | ± | PRODUCT SPEC: | VERTICAL+ RECEPTACLE HEADER; WITH SOLDER CONTACTS | |
| 1 PLC | ± | APPLICATION SPEC: | SIZE: A2 | RESTRICTED TO: - |
| 2 PLC | ± | WEIGHT: | QTY: 00779 | DRWG NO: C=338313 |
| 3 PLC | ± | | SCALE: NTS | SHEET: 1 of 1 |
| 4 PLC | ± | | CUSTOMER DRAWING | REV: F2 |
| ANGLES | ± | | | |