

4

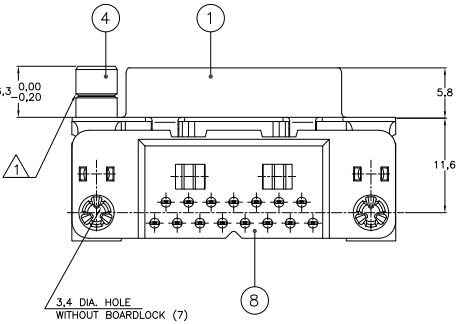
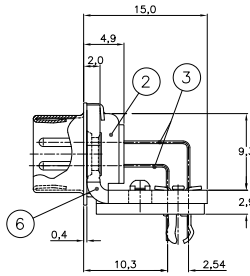
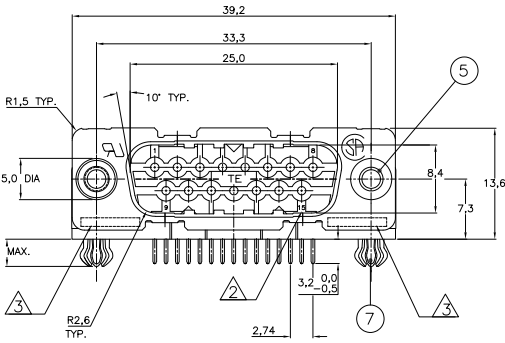
3

2

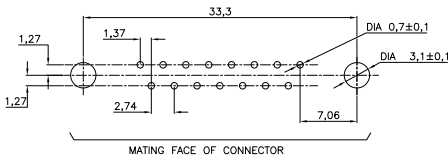
1

THIS DRAWING IS UNPUBLISHED. RELEASED FOR PUBLICATION. ALL RIGHTS RESERVED.

LOC	DIST	REVISIONS			
F	LR	DESCRIPTION	DATE	MIN	APD
H	-	REVISED PER ECO-11-005294	02APR11	RIK	HMR



RECOMMENDED P.C. BOARD HOLE-LAYOUT



ITEM NR.	DESCRIPTION OF ACCESSORY	2	2	2	2	2	2	2	2
5	3,1 DIA. INSERT	2	2	2	2	2	2	2	2
5	INSERT WITH INNER THREAD 4-40 UNC	2	2	2	2	2	2	2	2
5	INSERT WITH INNER THREAD M3	2	2	2	2	2	2	2	2
4	FEMALE SCREWLOCK WITH 4-40 UNC	2	2	2	2	2	2	2	2
4	FEMALE SCREWLOCK WITH M3	2	2	2	2	2	2	2	2
7	BOARDLOCK	2	2	2	2	2	2	2	2

ACCESSORIES PREFIX	DESCRIPTION OF ACCESSORY	0	1	2	3	4	5	6	7	8	9
	15 POS.-----> Z-338169-Y	0-XXXXXX-Y	1-XXXXXX-Y	2-XXXXXX-Y	3-XXXXXX-Y	4-XXXXXX-Y	5-XXXXXX-Y	6-XXXXXX-Y	7-XXXXXX-Y	8-XXXXXX-Y	9-XXXXXX-Y
	PREFIX FOR ACCESSORIES										
	BASIC PARTNR.										
	SUFFIX FOR PLATING										

PLATING SUFFIX	DESCRIPTION OF ACCESSORY
	GOLD OVER NICKEL AS PER PERFORMANCE LEVEL 2 (DIN 41652)
	SOLDERPART :2,5µm TIN OVER NICKEL
	-Y = -2

- 1 GROOVE INDICATES VERSION WITH 4-40 UNC INNER THREAD; WITHOUT GROOVE INDICATES VERSION WITH M3 INNER THREAD.
- 2 CAVITY IDENTIFICATION AT FRONT SIDE ONLY.
- 3 PARTNUMBER AND DATE CODE.
- 4 SHELL HAS 2x4 GROUNDING SPRINGS; PITCH IS 3,6 mm
- 5 AIR AND CREEPAGE DISTANCES ACCORDING TO DIN 41652

- ITEM NRS./MATERIAL :
- 1 SHELL : BRIGHT TINPLATED STEEL
 - 2 HOUSING : GLASSFILLED POLYESTER, COLOR : BLACK
 - 3 CONTACTS : PH.BRONZE (PLATING : SEE TABLE ABOVE)
 - 4 FEMALE SCREWLOCK : TINPLATED STEEL (INNER THREAD 4-40 UNC OR M3)
 - 5 INSERT : TINPLATED STEEL (INNER THREAD 4-40 UNC OR M3 OR 3,1 DIA THRU-HOLE)
 - 6 BRACKET : TINPLATED STEEL
 - 7 BOARDLOCK : TINPLATED PHOSPHORBRONZE
 - 8 POSTALIGNMENT PLATE : GLASSFILLED NYLON, COLOR : BLACK

THIS DRAWING IS A CONTROLLED DOCUMENT.		DR D. KESSLER	15JAN99	 TE Connectivity
DIMENSIONS: mm		DR W. SOOMERS	---	
TOLERANCES UNLESS OTHERWISE SPECIFIED:		PRODUCT SPEC	---	HD-20 SIZE 2 RIGHT ANGLE PLUG HEADER; MARK II+
0 P.L.C. ±		APPLICATION SPEC	---	
1 P.L.C. ±		WEIGHT	---	
2 P.L.C. ±		SIZE CASE CODE DRAWING NO	A2 00779 C=338169	
3 P.L.C. ±		CUSTOMER DRAWING	SCALE NTS SHEET 1 of 1 REV H2	RESTRICTED TO
4 P.L.C. ±				
ANGLES ±				
MATERIAL				
FINISH				