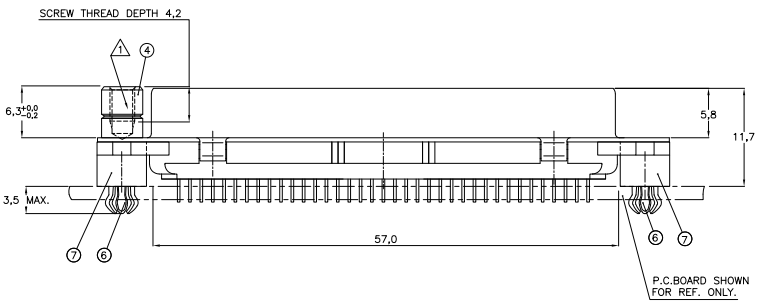
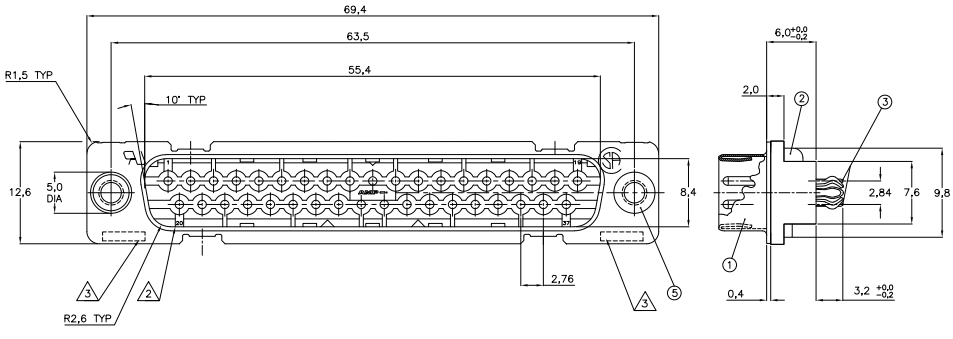
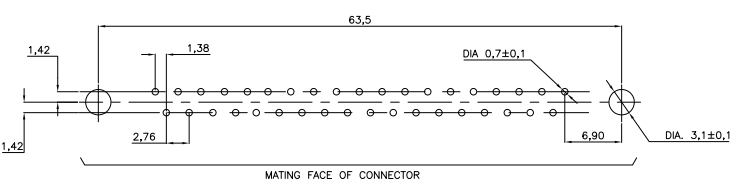


THIS DRAWING IS UNPUBLISHED. RELEASED FOR PUBLICATION. ALL RIGHTS RESERVED.

LOC	DIST	REVISIONS			
F	LTR	DESCRIPTION	DATE	OWN	APP
H	-	REVISED PER ECO-11-005294	02APR11	RK	HMR



RECOMMENDED P.C. BOARD HOLE-LAYOUT



ACCESSORIES PREFIX 'Z'	1	2	3	4	5	6	7	8	9
5 BUSHING WITH THROUGHHOLE 3,1 DIA.									
5 BUSHING WITH THREAD 4-40 UNC									
5 BUSHING WITH THREAD M3									
4 FEMALE SCREWLOCK WITH THREAD 4-40 UNC									
4 FEMALE SCREWLOCK WITH THREAD M3									
6 BOARDLOCK									
ITEM NR.									
DESCRIPTION OF ACCESSORY									

HOW TO ORDER:
 PREFIX FOR ACCESSORIES: Z-338312-Y
 BASIC PARTNR.:
 SUFFIX FOR PLATING: -Y

PLATING SUFFIX 'Y':
 GOLD OVER NICKEL AS PER PERFORMANCE LEVEL 2 (DIN 41652)
 SOLDERPART: TIN-PLATING 3 µm
 } -Y = -2

- △ GROOVE INDICATES VERSION WITH 4-40 UNC INNER THREAD; WITHOUT GROOVE INDICATES VERSION WITH M3 INNER THREAD.
- △ CAVITY IDENTIFICATION AT FRONT SIDE ONLY.
- △ PARTNUMBER AND DATE CODE.
- 4 WHEN BOARDLOCKS ARE USED, CONNECTOR CAN BE USED FOR PCB THICKNESS OF 1,6 mm ONLY.
- 5 SHELL HAS 2x12 GROUNDING SPRINGS; PITCH IS 3,6 mm
- 6 AIR AND CREEPAGE DISTANCES ACCORDING TO DIN41652

- ITEM NRS./MATERIAL:
- ① SHELL : BRIGHT TINPLATED STEEL
 - ② HOUSING : GLASSFILLED POLYESTER, COLOR : BLACK
 - ③ CONTACTS : PHOSPHORBRONZE (PLATING : SEE TABLE ABOVE)
 - ④ FEMALE SCREWLOCK : TINPLATED STEEL (INNER THREAD 4-40 UNC OR M3)
 - ⑤ BUSHING : TINPLATED STEEL (INNER THREAD 4-40 UNC OR M3 OR 3,1 DIA. THROUGHHOLE)
 - ⑥ BOARDLOCK : TINPLATED PHOSPHORBRONZE
 - ⑦ STAND-OFF : ULTRAMID V0 COLOR : BLACK

THIS DRAWING IS A CONTROLLED DOCUMENT.

DRW: J.V.LIEMPT	03JUL97	 TE Connectivity
CHK: C.SOUISA	09SEP97	
APP: F. LEUVENS		
PRODUCT SPEC: -		

HDP-20 SIZE 4
 VERTICAL+ PLUG HEADER;
 WITH SOLDER CONTACTS

APPLICATION SPEC: -	SIZE: A2	CASE CODE: 00779	DRAWING NO: C=338312	RESTRICTED TO: -
WEIGHT: -	CUSTOMER DRAWING			SCALE: NTS
MATERIAL: -	FINISH: -			SHEET: 1 of 1
				REV: F2