

4

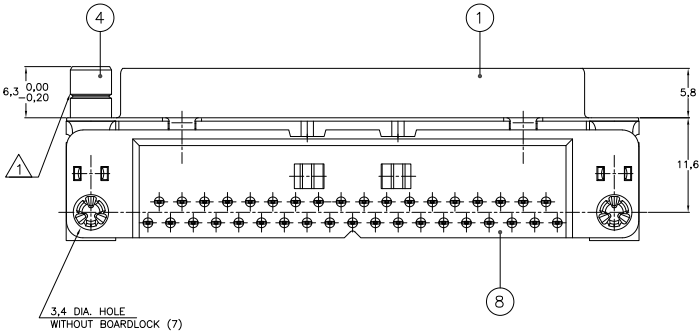
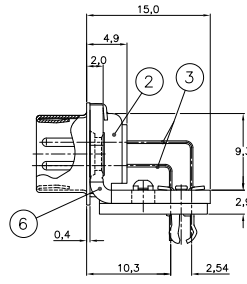
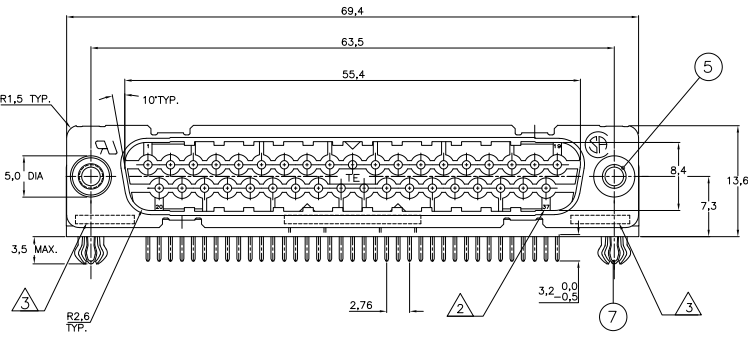
3

2

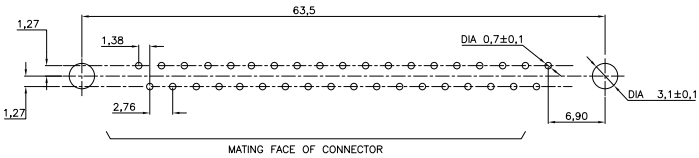
1

THIS DRAWING IS UNPUBLISHED. RELEASED FOR PUBLICATION  
 © COPYRIGHT BY TYCO ELECTRONICS CORPORATION. ALL RIGHTS RESERVED.

LOC	DIST	REVISIONS					
H	-	F	LR	DESCRIPTION	DATE	BY	APPD
		F		EHC0-0061-04	07-04-04	JvdH	-
		G		ECR-06-016750	04-11-06	BSV	MK
		G1		ECR-10-013804	08-07-10	RK	KMA



RECOMMENDED P.C. BOARD HOLE-LAYOUT



ACCESSORIES PREFIX	ITEM NR.	DESCRIPTION OF ACCESSORY	2	2	2	2	2	2	2
	5	3,1 DIA. INSERT	2	2	2	2	2	2	2
	5	INSERT WITH INNER THREAD 4-40 UNC	2	2	2	2	2	2	2
	5	INSERT WITH INNER THREAD M3	2	2	2	2	2	2	2
	4	FEMALE SCREWLOCK WITH 4-40 UNC	2	2	2	2	2	2	2
	4	FEMALE SCREWLOCK WITH M3	2	2	2	2	2	2	2
	7	BOARDLOCK	2	2	2	2	2	2	2

HOW TO ORDER	PLATING SUFFIX
37 POS . ----> Z-338171-Y	
PREFIX FOR ACCESSORIES	0-XXXXX-Y
BASIC PARTNR.	1-XXXXX-Y
SUFFIX FOR PLATING	2-XXXXX-Y
	3-XXXXX-Y
	4-XXXXX-Y
	5-XXXXX-Y
	6-XXXXX-Y
	7-XXXXX-Y
	8-XXXXX-Y
	9-XXXXX-Y

GOLD OVER NICKEL AS PER PERFORMANCE LEVEL 2 (DIN 41652)  
 SOLDERPART :2,5µm TIN OVER NICKEL } -Y = -2

- 1 GROOVE INDICATES VERSION WITH 4-40 UNC INNER THREAD; WITHOUT GROOVE INDICATES VERSION WITH M3 INNER THREAD.
- 2 CAVITY IDENTIFICATION AT FRONT SIDE ONLY.
- 3 PARTNUMBER AND DATE CODE.
- 4 SHELL HAS 2x12 GROUNDING SPRINGS; PITCH IS 3,6 mm
- 5 AIR AND CREEPAGE DISTANCES ACCORDING TO DIN 41652

ITEM NRS./MATERIAL :

1 SHELL	: BRIGHT TINPLATED STEEL
2 HOUSING	: GLASSFILLED POLYESTER, COLOR : BLACK
3 CONTACTS	: PH.BRONZE (PLATING : SEE TABLE ABOVE)
4 FEMALE SCREWLOCK	: TINPLATED STEEL (INNER THREAD 4-40 UNC OR M3)
5 INSERT	: TINPLATED STEEL (INNER THREAD 4-40 UNC OR M3 OR 3,1 DIA THRU-HOLE)
6 BRACKET	: TINPLATED STEEL
7 BOARDLOCK	: TINPLATED PHOSPHORBRONZE
8 POSTALIGNMENT PLATE	: GLASSFILLED NYLON, COLOR : BLACK

THIS DRAWING IS A CONTROLLED DOCUMENT.		DR D. KESSLER	TSJANG9	Tyco Electronics Corporation
DIMENSIONS: MM		CHK W. SOOMERS	NAME	's-Hertogenbosch, Nederland
TOLERANCES UNLESS OTHERWISE SPECIFIED:		PRODUCT SPEC	APPLICATION SPEC	SIZE CASE CODE DRAWING NO
0 P.L.C	±	WEIGHT	RESTRICTED TO	
1 P.L.C	±			
2 P.L.C	±			
3 P.L.C	±			
4 P.L.C	±			
ANGLES	±			
MATERIAL	FINISH	CUSTOMER DRAWING	SCALE	NTS SHEET 1 OF 1 REV G1

AMP 1471-9 REV 31MM2000

338171