

4

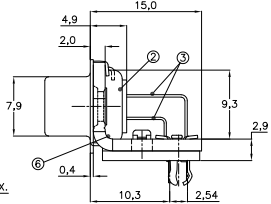
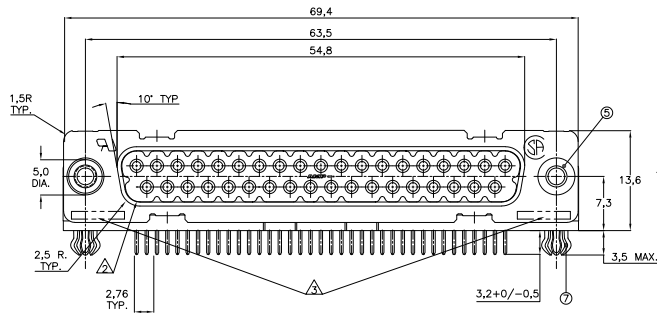
3

2

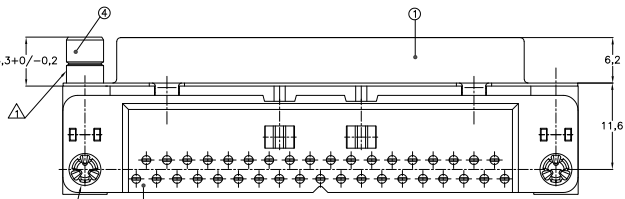
1

THIS DRAWING IS UNPUBLISHED. RELEASED FOR PUBLICATION
 © COPYRIGHT BY TYCO ELECTRONICS CORPORATION. ALL RIGHTS RESERVED.

LOC	DIST	REVISIONS					
		F	LNK	DESCRIPTION	DATE	BY	APPD
		J		ECR-06-028929	19-03-07	BSV	KMA
		K		ECR-07-021980	27-09-07	BSV	KMA
		K1		ECR-10-004469	06-03-10	RVD	KMA



ACCESSORIES PREFIX "Z"	ITEM NO.	DESCRIPTION OF ACCESSORY	2	2	2	2	2	2	2
	5	BUSHING WITH THROUGH HOLE 3,1 DIA.							
	5	BUSHING WITH INNER THREAD 4-40 UNC							
	5	BUSHING WITH INNER THREAD M3							
	4	FEMALE SCREWLOCK WITH 4-40 UNC							
	4	FEMALE SCREWLOCK WITH M3							
	7	BOARDLOCK							



HOW TO ORDER:
 PREFIX FOR ACCESSORIES
 BASIC PARTNR.
 SUFFIX FOR PLATING

37 POS.-----> Z-106508-Y

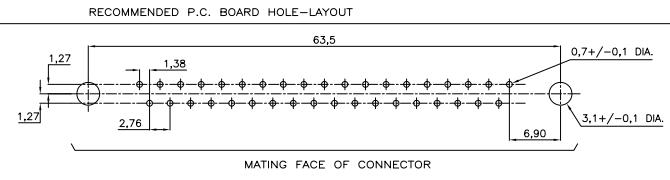
PLATING SUFFIX:
 GOLD OVER NICKEL AS PER
 PERFORMANCE LEVEL 2 (DIN 41652)
 SOLDERPART :2,5 µm TIN OVER NICKEL } -Y = -2

NOTES :

- △ GROOVE INDICATES VERSION WITH 4-40 UNC INNER THREAD; WITHOUT GROOVE INDICATES VERSION WITH M3 INNER THREAD.
- △ CAVITY IDENTIFICATION AT FRONT SIDE ONLY.
- △ PARTNUMBER AND DATE CODE.
- 4. AIR AND CREEPAGE DISTANCES ACCORDING TO DIN 41652.

ITEM NRS./MATERIAL :

- ① SHELL : BRIGHT TINPLATED STEEL
- ② HOUSING : GLASSFILLED POLYESTER, COLOR : BLACK
- ③ CONTACTS : PHOSPHORBRONZE (PLATING : SEE TABLE ABOVE)
- ④ FEMALE SCREWLOCK : TINPLATED STEEL (INNER THREAD 4-40 UNC OR M3)
- ⑤ BUSHING : TINPLATED STEEL (INNER THREAD 4-40 UNC OR M3 OR 3,1 DIA THRU-HOLE)
- ⑥ BRACKET : TINPLATED STEEL
- ⑦ BOARDLOCK : TINPLATED PHOSPHORBRONZE
- ⑧ POST ALIGNMENTPLATE : GLASSFILLED NYLON. COLOR : BLACK



THIS DRAWING IS A CONTROLLED DOCUMENT.		DR: D. KESSLER 14JAN99	Tyco Electronics Corporation a-Hertogenbosch,Nederlands.	
DIMENSIONS: MM		CHK: W. SOOMERS	HD-20 SIZE 4 RIGHT ANGLE RECEPTACLE HEADER; MARK II+	
TOLERANCES UNLESS OTHERWISE SPECIFIED:		APP: -	RESTRICTED TO	
0 P.L.C.	±	PRODUCT SPEC	SIZE CASE CODE DRAWING NO	
1 P.L.C.	±	APPLICATION SPEC	A2 00779 C=106508	
2 P.L.C.	±	WEIGHT	SCALE NTS SHEET 1 OF 1 REV K1	
3 P.L.C.	±	CUSTOMER DRAWING		
4 P.L.C.	±			
ANGLES	±			

AMP 1471-9 REV 31MM2000

106508

A