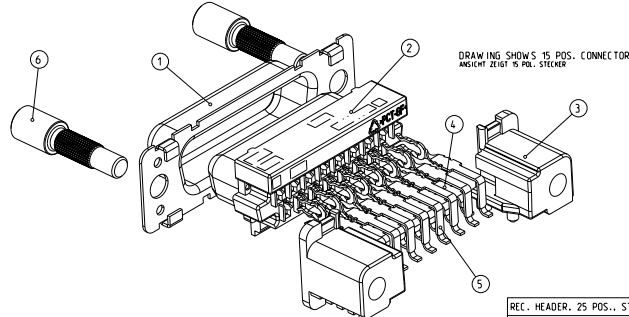
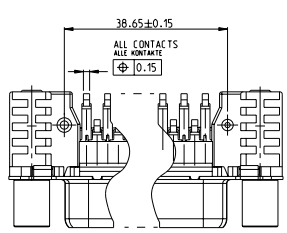
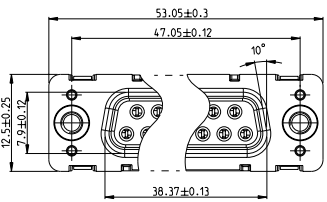
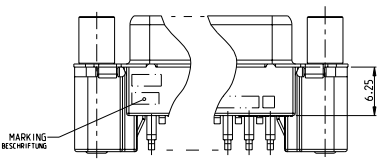
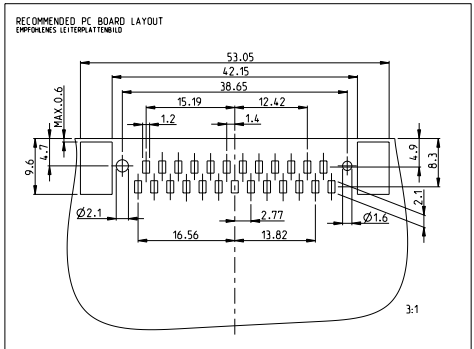
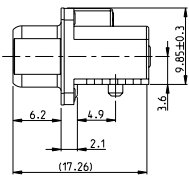
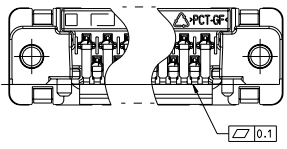


REV	DATE	REVISIONS	BY	CHK	APP
A1	-	INITIAL DESIGN			
C1	PEN-W-00104	REVISION			
D	ECR-W-02466				



DESCRIPTION	SHELL PLATING: TIN OVER NI	SHELL PLATING: NI
REC. HEADER, 25 POS., STUD WITH THREAD M3	4-1740198-2	4-1740198-5
REC. HEADER, 25 POS., BRACKET WITH THREAD M3	2-1740198-2	2-1740198-5
REC. HEADER, 25 POS., STUD WITH THREAD UNC 4-40	3-1740198-2	3-1740198-5
REC. HEADER, 25 POS., BRACKET WITH THREAD UNC 4-40	1-1740198-2	1-1740198-5
REC. HEADER, 25 POS., BRACKET WITH HOLE Ø3.1	0-1740198-2	0-1740198-5



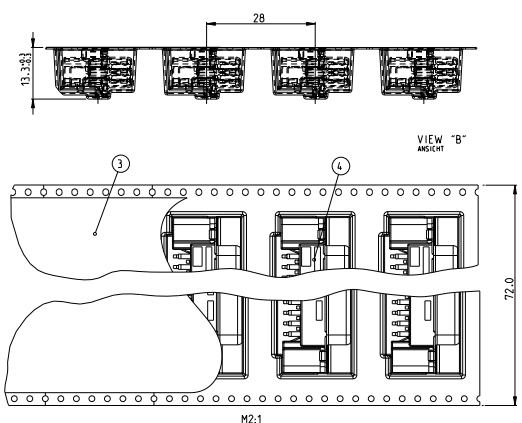
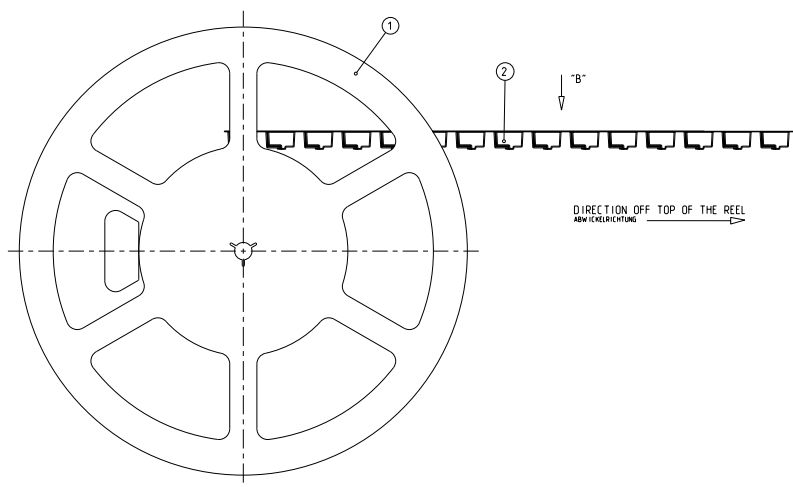
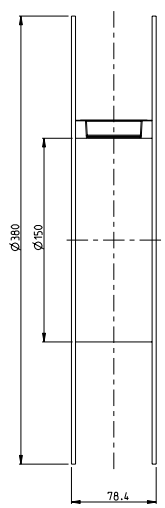
REMARKS:
 △ CONTACT AREA: min. 0.8 μm Au OVER 1.27 μm Ni.
 SOLDER AREA: 3-5 μm Sn OVER min. 1.27 μm Ni
 2 PACKAGING SEE SHEET 2
 3 CONNECTOR SUITABLE FOR LEAD-FREE SMT SOLDER PROCESS
 △ TIN OVER NICKEL

BEMERKUNGEN:
 △ KONTAKTBEREICH: min. 0.8 μm Au UEBER 1.27 μm Ni.
 LÖTBEREICH: 3-5 μm Sn UEBER min. 1.27 μm Ni
 2 VERPACKUNGSART SIEHE BLATT 2
 3 STECKER GEEIGNET FUER BLEIFREIES SMT LÖTEN
 △ ZINN UEBER NICKEL

POS.	QTY.	DESCRIPTION	DESCRIPTION	SURFACE	MATERIAL
6	2	THREAD STUD	SEW INDESOLTER	NICKEL	STEEL
5	13	REC. CONTACT, SHD., LONG	BUCHSENKONTAKT, SHD., LANG	△	Cu/Mg
4	12	REC. CONTACT, SHD., SHORT	BUCHSENKONTAKT, SHD., KURZ	△	Cu/Mg
3	2	BRACKET, SHD., LEFT/RIGHT	BUCHSENKONTAKT, SHD., LINKS/RECHTS	△	CAST METAL
2	1	REC. HOUSING	BUCHSENKONTAKT, SHD., LINKS/RECHTS	BLACK	PCT-GF
1	1	SHELL	BUCHSENKONTAKT, SHD., LINKS/RECHTS	SEE TABLE	STEEL

DATE	BY	APP	CHK	APP
00 07 18				

REV	DATE	REVISIONS	BY	CHK	APP
AI	-	SEE SHEET 1	-	-	-



- REMARKS:**
- 1 COVER TAPE WITH BLISTER BELT WELDED OR PASTED
 - 2 BLISTER BELT, COVER AND TAPE ACC. TO DIN/IEC 286 PART 3
 - 3 FIRST AND LAST RUNNING OF THE CARRIER TAPE ACC. TO DIN/IEC 286 PART 3
 - 4 6.4m BLISTERBELT AND 6.5m COVER TAPE, 200 LOOSE PIECE PARTS

- BEMERKUNGEN:**
- 1 ABDECKBAND MIT BLISTERGURT VERSCHWEISST ODER VERKLEBT
 - 2 BLISTERGURT, ABDECKBAND UND REEL NACH DIN/IEC 286 TEIL 3
 - 3 VOR- UND NACHLAUF AM BLISTERGURT NACH DIN/IEC 286 TEIL 3
 - 4 6.4m BLISTERGURT UND 6.5m ABDECKBAND, 200 EINZELTEILE

4-1740985	4-1740982
3-1740985	3-1740982
2-1740985	2-1740982
1-1740985	1-1740982

TE ORDER NO. BESTELL-NR.	POS.	DESCRIPTION	BENENNUNG	COLOR/FARB	MATERIAL			
1740198	4	200	SUB-D REC. HEADER, 25 POS., STUD M3	-	-			
	4	-	200	SUB-D REC. HEADER, 25 POS., STUD UNC4-40	-	-		
	4	-	200	SUB-D REC. HEADER, 25 POS., M3	-	-		
	4	-	-	200	SUB-D REC. HEADER, 25 POS., UNC4-40	-	-	
	4	-	-	200	SUB-D REC. HEADER, 25 POS.	-	-	
	3	6.5m	6.5m	6.5m	6.5m	6.5m	COVER BELT FOR BLISTER BELT	TRANSPARENT
2	6.4m	6.4m	6.4m	6.4m	6.4m	BLISTER BELT	GREY/BLACK	PS
1	1	1	1	1	1	REEL-PACKING	GREY	PS

ORDER NO. 001778 DATE 00/07/19	ORDER NO. 001778 DATE 00/07/19	ORDER NO. 001778 DATE 00/07/19	ORDER NO. 001778 DATE 00/07/19	ORDER NO. 001778 DATE 00/07/19	ORDER NO. 001778 DATE 00/07/19
---	---	---	---	---	---