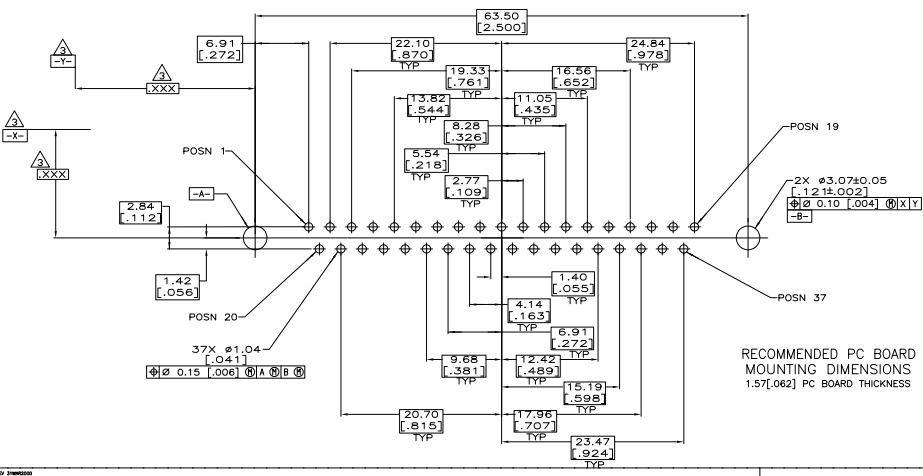
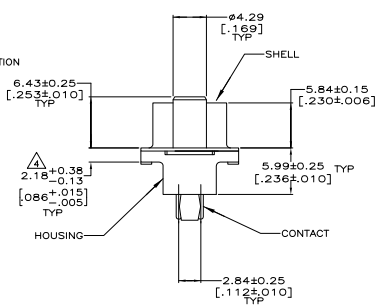
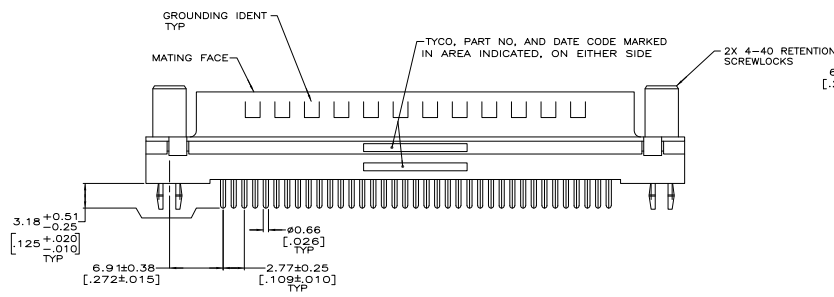


- △ HOUSING: POLYESTER, UL 94V-0 RATED, COLOR BLACK.
CONTACTS: PHOSPHOR BRONZE.
RETENTION SCREWLOCKS: BRASS.
SHELL: CARBON STEEL.
- △ SHELL: 5.08µm [.000200] MIN TIN OVER 2.54µm [.000100] MIN COPPER.
CONTACTS: 0.76µm [.000030] MIN GOLD FOR A LENGTH OF 3.81 [.150] MIN FROM MATING END, 2.54µm [.000100] MIN TIN ON OPPOSITE END, BOTH OVER 1.27µm [.000050] MIN NICKEL.
-OR-
GOLD FLASH OVER 0.76µm [.000030] MIN PALLADIUM NICKEL PLATED FOR A LENGTH OF 3.81 [.150] MIN FROM MATING END, 2.54µm [.000100] MIN TIN ON OPPOSITE END, BOTH OVER 1.27µm [.000050] MIN NICKEL.
RETENTION SCREWLOCKS: 2.54µm [.000100] MIN TIN OVER 1.27µm [.000050] MIN NICKEL OVER COPPER FLASH.
- △ DATUMS AND BASIC DIMENSIONS ESTABLISHED BY CUSTOMER.
- △ 2.79[.110] MAX IN SHELL TAB CLINCH AREAS.



RECOMMENDED PC BOARD MOUNTING DIMENSIONS
 1.57[.062] PC BOARD THICKNESS

5787686-1
 PART NUMBER

THIS DRAWING IS A CONTROLLED DOCUMENT		DATE		REVISED FOR PURIFICATION	
DATE	BY	DESCRIPTION	DATE	BY	DESCRIPTION
GP	00				
B		REVISED PER ECO-04-03839	3/20/07	ZMR	EDB

DESIGNER	DATE	REVISED FOR PURIFICATION	DATE	BY	DESCRIPTION
M. WILMSLEY	108-40025	114-40023	A1	00779	5787686