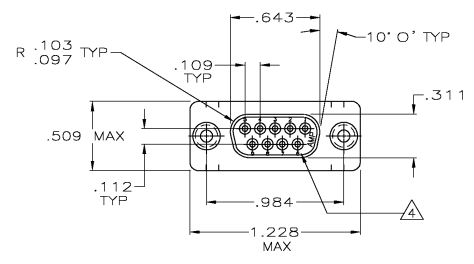
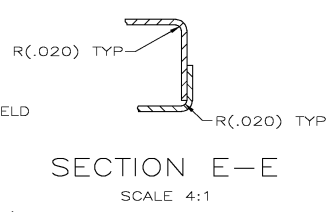
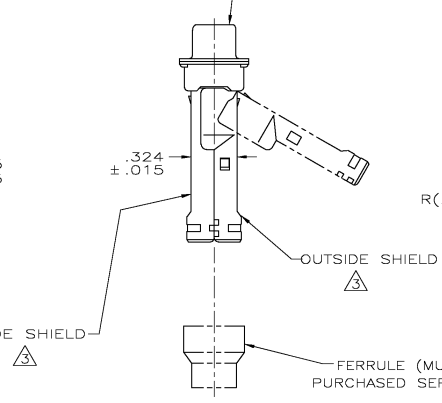
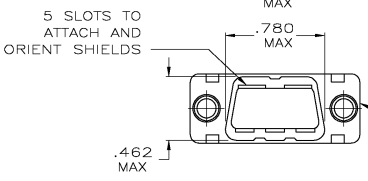
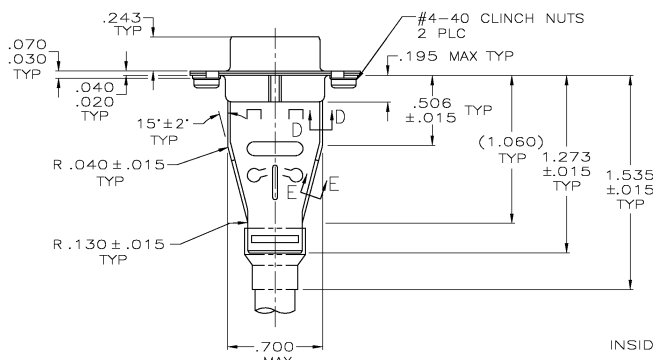
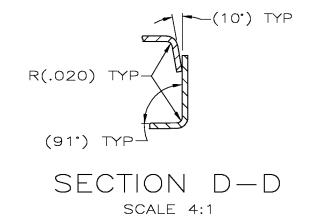


THIS DRAWING IS UNPUBLISHED. RELEASED FOR PUBLICATION. BY TYCO ELECTRONICS CORPORATION. ALL RIGHTS RESERVED.

LIC		DIBT		REVISIONS			
GP	00	F	LTR	DESCRIPTION	DATE	OWN	APP
		0		RELEASED PER EC 0513-0257-04	11-11-04	GA	JG



RECEPTACLE CONNECTOR  
 INSERTS: BLACK GLASS-FILLED NYLON, 94V-0 RATED  
 SHELLS: STEEL PER ASTM A109 .000200 MIN TIN PLATE OVER .000100 MIN COPPER UNDERPLATE



- ⚠ RECEPTACLE ACCEPTS SIZE 20 SOCKET CONTACTS (CONTACTS MUST BE ORDERED SEPARATELY)
- 2 ALL PARTS SHIPPED UNASSEMBLED, EACH PART INDIVIDUALLY BULK PACKED.
- ⚠ SHIELDS: MATERIAL—.020 THICK STEEL, .000200 MIN TIN PLATE OVER .000100 MIN COPPER UNDERPLATE.
- ⚠ RAISED CAVITY IDENTIFICATION AND AMP TRADEMARK.

5748536-1  
PART NUMBER

THIS DRAWING IS A CONTROLLED DOCUMENT.		OWN: G. ATTADA - 11-11-04	Tyco Electronics Corporation	
DIMENSIONS: INCHES		CHK: M. WALSLEY - 11-11-04	Tyco Electronics Corporation	
OTHER DIMENSIONS: OTHERWISE SPECIFIED		APP: M. WALSLEY - 11-11-04	Harrisburg, PA 17105-3508	
MATERIAL: SEE CALL OUT ⚠		PRODUCT SPEC: 108-40005 & 108-40030	KIT, RCPT, SHIELDING HARDWARE, 9 POSN, SIZE 1, W/CLINCH NUTS, AMPLIMITE HDP-20	
FINISH: SEE CALL OUT ⚠		APPLICATION SPEC: 114-40030	SIZE: A2	CASE CODE: 00779
		WEIGHT: -	C=5748536	
		CUSTOMER DRAWING	SCALE: 2:1	SHEET 1 OF 1

AMP 1471-9 REV 31MAR2000