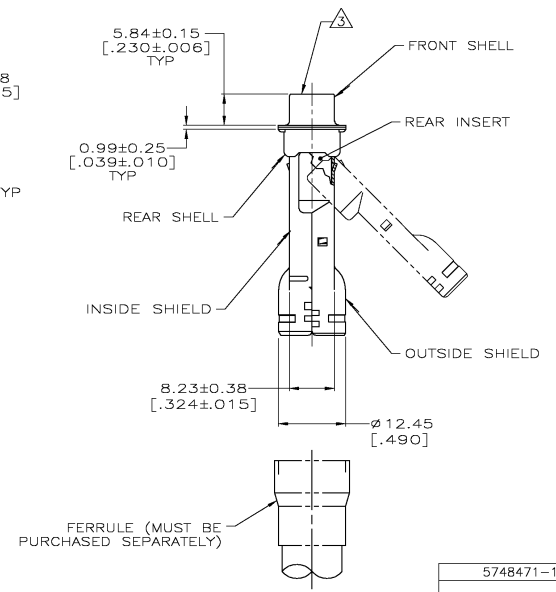
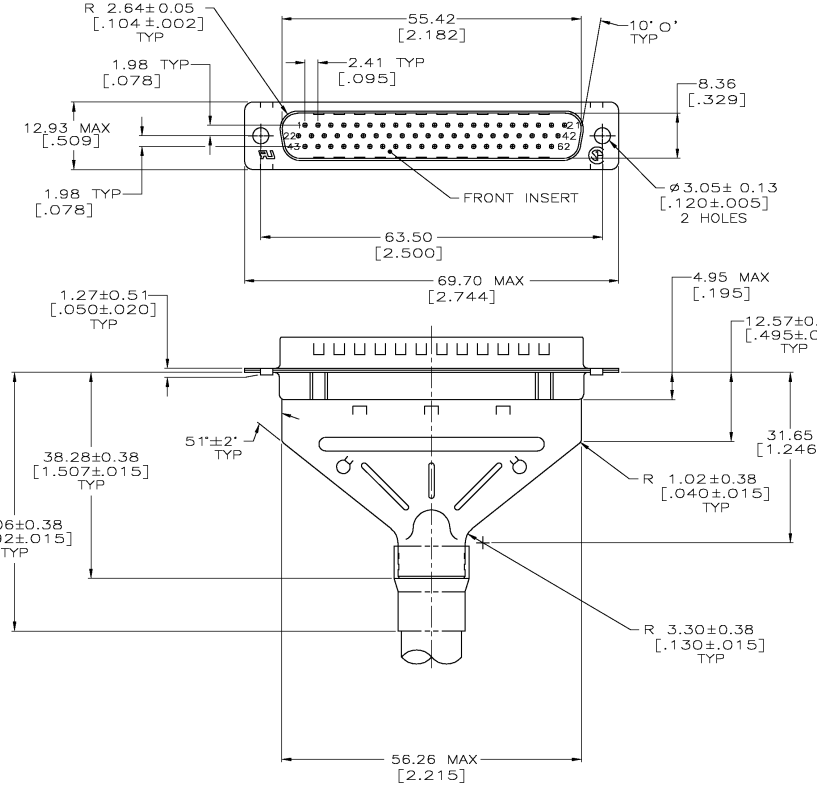


THIS DRAWING IS UNPUBLISHED.
 RELEASED FOR PUBLICATION
 BY THE ELECTRONICS CORPORATION. ALL RIGHTS RESERVED.

REV	DATE	DESCRIPTION	BY	APPV
0	11-10-04	RELEASED PER EC 0513-0257-04	GA	JG



- △ INSERTS: NYLON, BLACK, UL 94V-0 RATED.
- SHELLS & SHIELDS: CARBON STEEL PER ASTM A109.
- △ SHELLS & SHIELDS: 5.08µm [.000200] MIN TIN OVER
2.54µm [.000100] MIN COPPER.
- △ PLUG ACCEPTS SIZE 22 PIN CONTACTS. (CONTACTS MUST BE PURCHASED SEPARATELY).

THIS DRAWING IS A CONTROLLED DOCUMENT.		DWN: G. ATADIA - DOCKS DW: J. GERACE DW: M. WALMSLEY DW: M. WALMSLEY	11-10-04 11-10-04 11-10-04	Tyco Electronics Corporation Harrisburg, PA 17105-3608
DIMENSIONS: mm [inches]	TOLERANCES UNLESS OTHERWISE SPECIFIED: Ø PUC # - PUC # 0.13 (.005) PUC # - PUC # - ANGLES # # # # # #	PART NO: 108-1268 APPLICATION SPEC: 114-10001	SIZE: A2 CAGE CODE: 00779 DRAWING NO: 5748471	PLUG KIT, UNASSEMBLED, SHIELDING HARDWARE, SIZE 4, 62 POSN, HDP-22, AMPLIMITE
MATERIAL: △	FINISH: △	WEIGHT: -	SCALE: 2:1	RESTRICTED TO: -
CUSTOMER DRAWING		SHEET 1 OF 1		REV Q

AMP 1471-9 REV 31MAR2000

5748471

5748471-1
PART NUMBER