

4

3

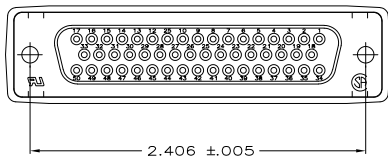
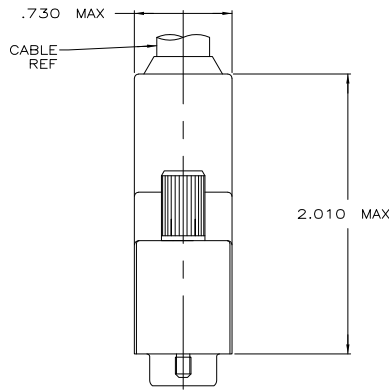
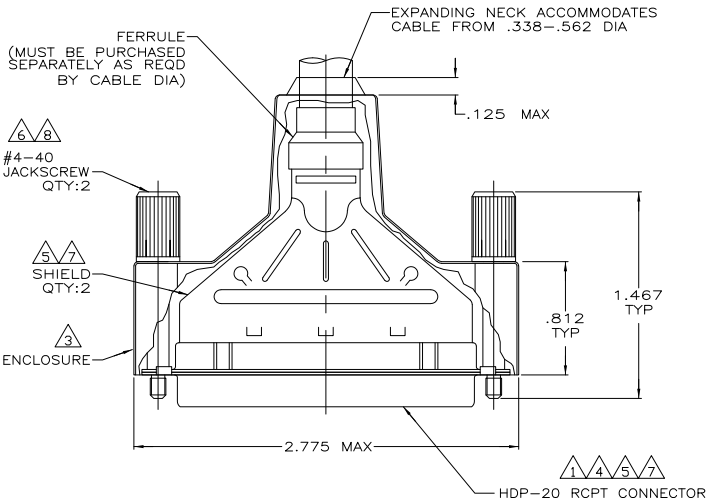
2

1

THIS DRAWING IS UNPUBLISHED. RELEASED FOR PUBLICATION
 © COPYRIGHT - By - ALL RIGHTS RESERVED.

LOC	DIST	REVISIONS					
GP	00	P	LTR	DESCRIPTION	DATE	MIN	APVD
		B		REVISED PER ECO-11-006475	200CT2011		CJV/CWR

- 1 RCPT ACCEPTS SIZE 20 DF SOCKET CONTACTS. CONTACTS MUST BE PURCHASED SEPARATELY.
- 2 ALL PARTS SHIPPED UNASSEMBLED.
- 3 FLAME RETARDANT 94V-0 RATED, STYRENE POLYOLEFIN OR PVC, BLACK.
- 4 FLAME RETARDANT 94V-0 RATED GLASS FILLED, NYLON OR POLYESTER, BLACK.
- 5 STEEL PER ASTM A109.
- 6 ZINC ALLOY.
- 7 .000200 MIN TIN PLATE OVER .000100 MIN COPPER UNDERPLATE.
- 8 ELECTRODEPOSITED POLYURETHANE, BLACK.
- 9 COMPONENTS INDIVIDUALLY BULK PACKED.



PACKAGING	W/ LOGOS	5747959-1
	REMARKS	PART NUMBER

THIS DRAWING IS A CONTROLLED DOCUMENT.		DRN: C. ATTADIA 11-10-04	TE Connectivity
DIMENSIONS: INCHES		CHK: J. GERACE 11-10-04	
OTHER DIMENSIONS: MILLIMETERS		APP: M. WALMSLEY 11-10-04	
0 PLC ± .005		PRODUCT SPEC: 108-40005 & 108-40030	NAME: BULK KIT, RCPT, AMPLIMITE SHIELDING ENCLOSURE, 50 POSN, SIZE 5, HDP-20
1 PLC ± .002		APPLICATION SPEC: 114-40030	SIZE: A2
2 PLC ± .002		WEIGHT: -	CAGE CODE: 00779
3 PLC ± .002		FINISH: -	FORMING REF: C=5747959
4 PLC ± .002			RESTRICTED TO: -
5 ANGLE ± .002			CUSTOMER DRAWING
6 FINISH			SCALE: 2:1
7			SHEET: 1 of 1
8			REV: B

1471-9 (3/11)

5747959

A