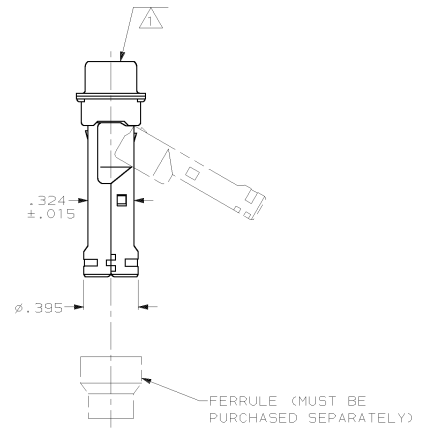
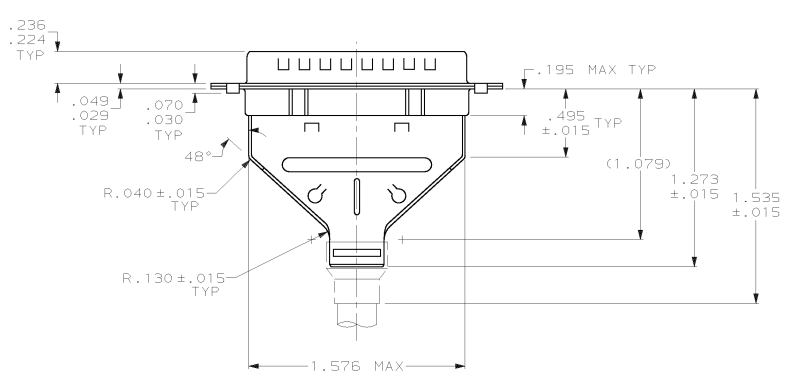
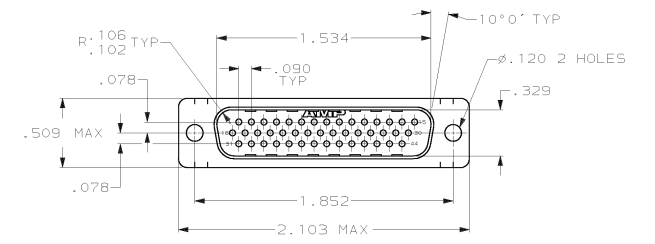


THIS DRAWING IS UNCLASSIFIED  
 (C) COPYRIGHT IS BY AMP INCORPORATED. ALL RIGHTS RESERVED.

| REV | DATE      | DESCRIPTION                  | BY | CHKD | APPD |
|-----|-----------|------------------------------|----|------|------|
| 0   | 02 JAN 84 | RELEASED PER EC 0513-0209-03 | LB | SB   |      |



- ⚠️ PLUG ACCEPTS 22 PIN CONTACTS (CONTACTS MUST BE ORDERED SEPARATELY).
- 2. ALL PARTS SHIPPED UNASSEMBLED, EACH PART INDIVIDUALLY BULK PACKED.
- ⚠️ FLAME RETARDANT 94V-0 GLASS FILLED NYLON, BLACK.
- ⚠️ .000200 MIN. TIN PLATE OVER .000100 MIN. COPPER UNDERPLATE.

1658677-1  
 PART NUMBER

|   |  |  |   |   |                    |
|---|--|--|---|---|--------------------|
| THIS DRAWING IS A CONTROLLED DOCUMENT   |  | DWN L. BAUM 02JAN84<br>CHK. BOLASH 02JAN84<br>DESIGNED BY M. WALMSLEY<br>PRODUCT SPEC 108-1268<br>APPLICATION SPEC 114-10001<br>HEIGHT - | <b>AMP</b> AMP Incorporated<br>Harrisburg, PA 17105-3608<br><b>KIT, PLUG, SHIELDING HARDWARE, SIZE 3, 44 POSN, HDP-22, AMPLIMITE™</b> | SIZE CASE CODE DRAWING NO<br>A2 00779 C-1658677 | RESTRICTED TO<br>- |
| DIMENSIONS INCH<br>0 PLC ±.005<br>1 PLC ±.005<br>2 PLC ±.005<br>3 PLC ±.005<br>4 PLC ±.005<br>5 PLC ±.005<br>6 PLC ±.005<br>7 PLC ±.005<br>8 PLC ±.005<br>9 PLC ±.005<br>10 PLC ±.005<br>11 PLC ±.005<br>12 PLC ±.005<br>13 PLC ±.005<br>14 PLC ±.005<br>15 PLC ±.005<br>16 PLC ±.005<br>17 PLC ±.005<br>18 PLC ±.005<br>19 PLC ±.005<br>20 PLC ±.005<br>21 PLC ±.005<br>22 PLC ±.005 | FINISH<br>SHELLS & SHIELDS CARBON STEEL<br>SHELLS & SHIELDS CARBON STEEL | CUSTOMER DRAWINGS  | SCALE 2:1   | SHEET 1 OF 1                                    | REV 0              |