

4

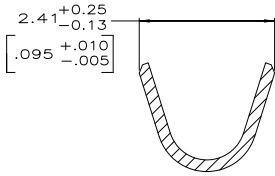
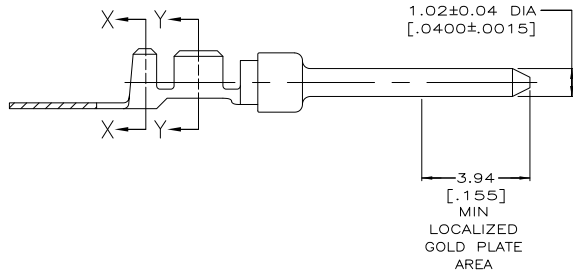
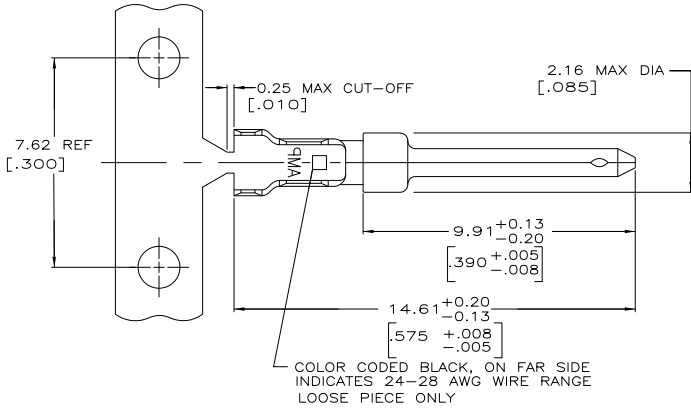
3

2

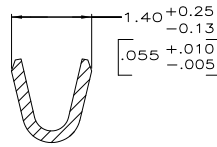
1

THIS DRAWING IS UNPUBLISHED. RELEASED FOR PUBLICATION. ALL RIGHTS RESERVED.

LOC	DIST	REVISIONS		
F	LNK	DESCRIPTION	DATE	BY
GP	00			
	K1	REVISED PER ECO-11-004835	11MAR11	RK HMR



SECTION X-X  
INSULATION BARREL  
SCALE 20:1



SECTION Y-Y  
WIRE BARREL  
SCALE 20:1

- 1 FOR MINI-APPLICATOR.
- 2 FOR HAND TOOL USE ONLY.
- 3. WIRE RANGE OF 24-28 AWG, INSULATION RANGE OF 1.27-1.52 [.050-.060].
- 4. GOLD PLATING MAY NOT APPEAR ON CARRIER STRIP.
- 4 GOLD PLATING PER MIL-G-45204. NICKEL PLATING PER QQ-N-290. TIN PLATING PER MIL-T-10727.
- 5 GOLD PLATED IN LOCALIZED GOLD PLATE AREA AS FOLLOWS:
- 6 0.76µm [.000030] MIN GOLD IN MATED AREA, GOLD FLASH ON REMAINDER OF CONTACT, ALL OVER 1.27µm [.000050] MIN NICKEL UNDERPLATE.  
OR  
GOLD FLASH OVER PALLADIUM-NICKEL PLATE, 0.76µm [.000030] MIN TOTAL IN MATED AREA, GOLD FLASH ON REMAINDER OF CONTACT, ALL OVER 1.27µm [.000050] MIN NICKEL UNDERPLATE.
- 7 GOLD PLATED IN LOCALIZED GOLD PLATED AREA, GOLD FLASH IN MATED AREA, TIN PLATED WIRE BARRELS, OVER 0.76µm [.000030] NICKEL.
- 8 GOLD PLATED IN LOCALIZED GOLD PLATED AREA, 0.76µm [.000030] GOLD IN MATED AREA, TIN PLATED WIRE BARRELS OVER 1.27µm [.000050] NICKEL.
- 9 OBSOLETE.

66682-1	66682-9
-	66682-6
66682-4	66682-2
FINISH	LOOSE PIECE
	PART NUMBER

THIS DRAWING IS A CONTROLLED DOCUMENT.		DRN S. WELDON 9-9-88	TE Connectivity	
DIMENSIONS: mm [INCHES]		CHK C. RICHARD 9-9-88	TE Connectivity	
TOLERANCES UNLESS OTHERWISE SPECIFIED:		APPD V. KUMAR 9-10-88	TE Connectivity	
0 PLG ± -		NAME	PIN CONTACT, SIZE 20 DF, 24-28 AWG, AMPLIMITE	
1 PLG ± -		APPLICATION SPEC	114-10000	
2 PLG ± 0.13 [.005]		WEIGHT	-	
3 PLG ± -		MATERIAL	BRASS PER MIL-C-50	
4 PLG ± -		FINISH	SEE TABLE	
ANGLES ± -		SIZE	A2	00779
		DATE	C=66682	
		SCALE	10:1	SHEET 1 of 1
		CUSTOMER DRAWING	REV K1	