

4

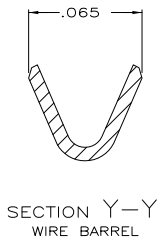
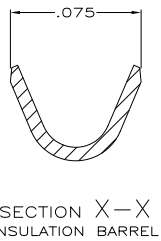
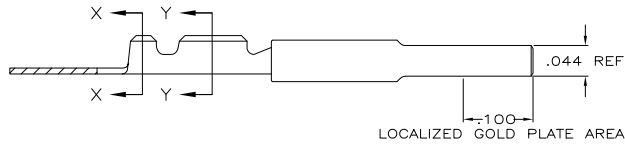
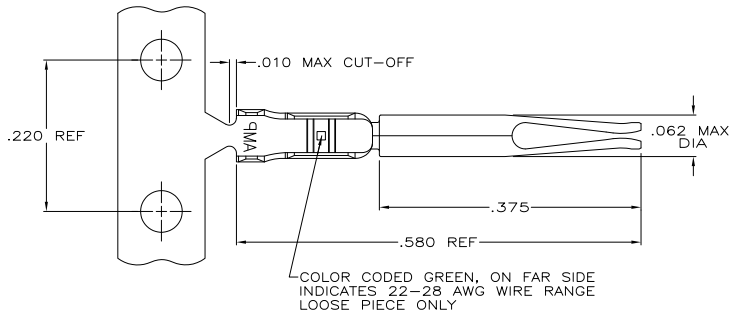
3

2

1

THIS DRAWING IS UNPUBLISHED. RELEASED FOR PUBLICATION
 © COPYRIGHT - By - ALL RIGHTS RESERVED.

LOC	DIST	REVISIONS					
GP	00	P	LTR	DESCRIPTION	DATE	BY	APPD
		H1		REVISED PER ECO-11-004835	11MAR11	RK	HMR



- △ FOR MINI APPLICATOR.
- △ FOR HAND TOOL USE ONLY.
- 3. WIRE RANGE OF 22-28, INSULATION RANGE OF .030-.040.
- △ GOLD PLATING PER MIL-G-45204, NICKEL PLATING PER QQ-N-290, TIN PLATING PER MIL-T-10727.
- △ PLATED WITH .000030 GOLD IN LOCALIZED GOLD PLATE AREA, TIN PLATED WIRE BARRELS, OVER .000050 NICKEL.
- △ PLATED WITH GOLD FLASH IN LOCALIZED GOLD PLATE AREA, TIN PLATED WIRE BARRELS, OVER .000030 NICKEL.
- △ PLATED WITH .000050 GOLD ON INSIDE OF LOCALIZED GOLD PLATE AREA, .000050 GOLD ON REMAINDER, ALL OVER .000050 NICKEL UNDERPLATE.
- △ GOLD PLATING ON THE CARRIER STRIP IS NOT REQUIRED.
- △ OBSOLETE.

SMALL PACK	△	△	748610-7	△	1-748610-1
-	△	△	748610-9	△	748610-8
STANDARD	△	△	748610-7	△	748610-5
-	△	△	748610-4	△	748610-2
PACKAGING	FINISH	△	LOOSE PIECE	△	PART NUMBER △

DIMENSIONS:		OTHER DIMENSIONS:		APPROVALS:		TE Connectivity	
INCHES		OTHER DIMENSIONS:		APPROVALS:		TE Connectivity	
0 PLC ± .		OTHER DIMENSIONS:		APPROVALS:		TE Connectivity	
1 PLC ± .		OTHER DIMENSIONS:		APPROVALS:		TE Connectivity	
2 PLC ± .		OTHER DIMENSIONS:		APPROVALS:		TE Connectivity	
3 PLC ± .005		OTHER DIMENSIONS:		APPROVALS:		TE Connectivity	
4 PLC ± .		OTHER DIMENSIONS:		APPROVALS:		TE Connectivity	
ANGLES ± 0° 30'		OTHER DIMENSIONS:		APPROVALS:		TE Connectivity	
MATERIAL PHOS BRONZE PER QQ-B-750		OTHER DIMENSIONS:		APPROVALS:		TE Connectivity	
FINISH SEE TABLE		OTHER DIMENSIONS:		APPROVALS:		TE Connectivity	
THIS DRAWING IS A CONTROLLED DOCUMENT.		OTHER DIMENSIONS:		APPROVALS:		TE Connectivity	
DRAWN BY C. RICHARD 1-12-08		OTHER DIMENSIONS:		APPROVALS:		TE Connectivity	
CHECKED BY W. LENKER 1-14-08		OTHER DIMENSIONS:		APPROVALS:		TE Connectivity	
APPROVED BY V. KUMAR 1-19-08		OTHER DIMENSIONS:		APPROVALS:		TE Connectivity	
APPLICATION SPEC		OTHER DIMENSIONS:		APPROVALS:		TE Connectivity	
WEIGHT		OTHER DIMENSIONS:		APPROVALS:		TE Connectivity	
CUSTOMER DRAWING		OTHER DIMENSIONS:		APPROVALS:		TE Connectivity	
SIZE CASE CODE DRAWING NO.		OTHER DIMENSIONS:		APPROVALS:		TE Connectivity	
A2 00779 C=748610		OTHER DIMENSIONS:		APPROVALS:		TE Connectivity	
RESTRICTED TO		OTHER DIMENSIONS:		APPROVALS:		TE Connectivity	
SCALE 10:1		OTHER DIMENSIONS:		APPROVALS:		TE Connectivity	
SHEET 1 of 1		OTHER DIMENSIONS:		APPROVALS:		TE Connectivity	
REV H1		OTHER DIMENSIONS:		APPROVALS:		TE Connectivity	