

4

3

2

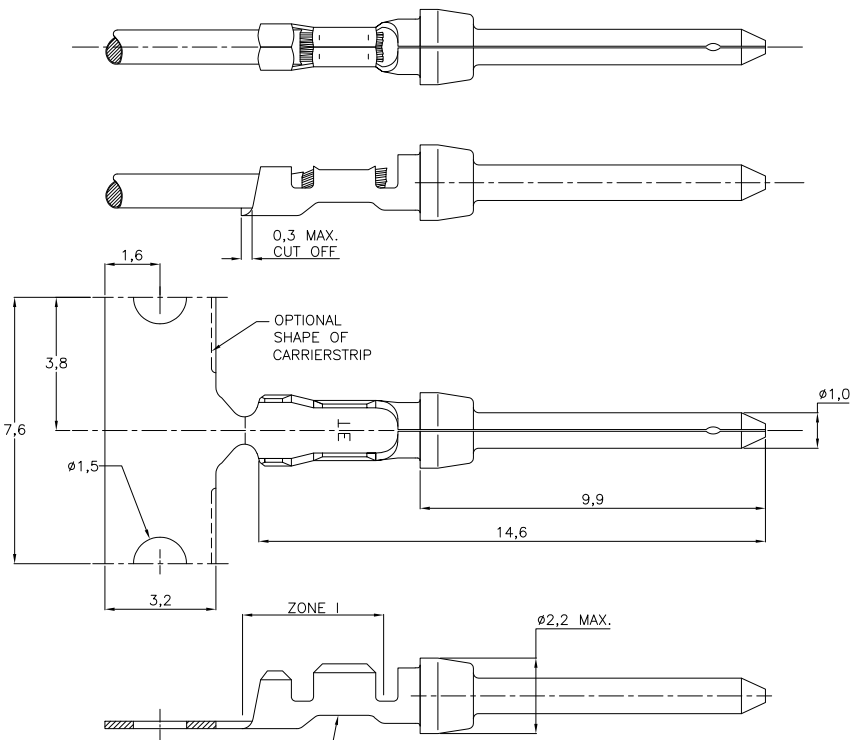
1

THIS DRAWING IS UNPUBLISHED. RELEASED FOR PUBLICATION  
 © COPYRIGHT - By - ALL RIGHTS RESERVED.

LOC		DIST		REVISIONS			
P	LTR	DESCRIPTION		DATE	DWN	APVD	
	Y2	REVISED PER ECO-11-005294		02APR11	RK	HMR	

NOTES:

- 1. FOR MINI-APPLICATOR-12500 PCS REEL.
- 2. FOR REEL-FEED HAND TOOLING-500 PCS REEL.
- 3. FOR HAND TOOLING- LOOSE PIECE.
- 4. MATERIAL: BRASS.
- 5. FINISH:
  - Ni UNDERPLATING ALL OVER.
  - CONTACT AREA PLATING MEETS IEC-807-3 PERFORMANCE LEVEL 2.
  - CRIMP ZONE Sn PLATED.



WIRE RANGE: 24-20 AWG(0,56-0,20mm<sup>2</sup>)  
 INSUL. RANGE: 1,27 - 1,52 DIA.

5	166293-1	5-166053-1	166053-1
FINISH	LOOSE PIECE	PART NUMBER	PART NUMBER
TE Connectivity			
CHK K. MALCZYK 09SEP08 APVD T. DE BOER 09SEP08 NAME		PIN CONTACT, SIZE 20 DF.	
PRODUCT SPEC 108-40005		RESTRICTED TO	
APPLICATION SPEC 114-10000		SIZE A3	CAGE CODE C-166053
MATERIAL -		WEIGHT -	DRAWING NO.
FINISH -		CUSTOMER DRAWING	SCALE NTS SHEET 1 of 1 REV Y2

THIS DRAWING IS A CONTROLLED DOCUMENT.

DIMENSIONS:	TOLERANCES UNLESS OTHERWISE SPECIFIED:
mm	
0 PLC	± -
1 PLC	± 0,127
2 PLC	± -
3 PLC	± -
4 PLC	± -
ANGLES	± -