

4

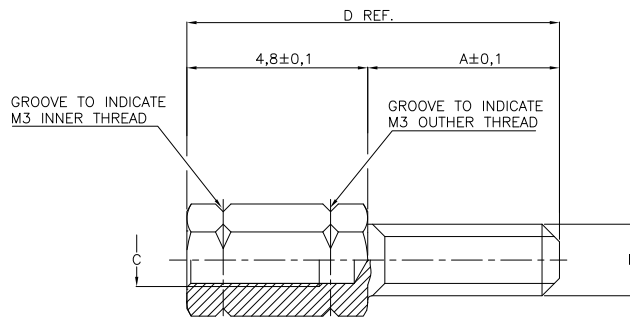
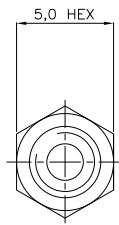
3

2

1

THIS DRAWING IS UNPUBLISHED. RELEASED FOR PUBLICATION
 © COPYRIGHT - By - ALL RIGHTS RESERVED.

LOC	DIST	REVISIONS					
		P	LTR	DESCRIPTION	DATE	DWN	APVD
H	-	J		ECR-09-000314	21-05-09	AEG	KMA
		J1		REVISED PER ECO-09-023313	12OCT09	KK	AEG
		J2		ECR-10-026542	05JAN11	KK	HMR



OBsolete	DIM "D"	DIM "C"	DIM "B"	DIM "A"	FINISH	MATERIAL	PART NUMBER
△ OBSOLETE	10,8	4-40 UNC	4-40 UNC	6,0	TINPLATED	BRASS	3-829261-0
△ OBSOLETE	9,8	M3	4-40 UNC	5,0			2-829261-8
		4-40 UNC	M3	5,0			2-829261-6
		M3	M3	5,0			2-829261-4
		4-40 UNC	4-40 UNC	5,0			2-829261-2
△ OBSOLETE	19,0	M3	4-40 UNC	14,2			4-829261-8
		4-40 UNC	M3	14,2			1-829261-6
		M3	M3	14,2			1-829261-4
		4-40 UNC	4-40 UNC	14,2			1-829261-2
OBSOLETE	12,7	M3	4-40 UNC	7,9			829261-8
		4-40 UNC	M3	7,9			829261-6
		M3	M3	7,9			829261-4
		4-40 UNC	4-40 UNC	7,9	829261-2		

△ OBSOLETE PARTS: OBSOLETE CIS STREAMLINING
 PER D.RENAUD/D.SINISI

THIS DRAWING IS A CONTROLLED DOCUMENT.		DWN D.KESSLER 02APR91	TE Connectivity SCREWLOCK, FEMALE HD-SERIES	
DIMENSIONS: mm		CHK C.V.TILBURG 23APR91		
TOLERANCES UNLESS OTHERWISE SPECIFIED:		APVD L.V.SOEST 25APR91	NAME	
0 PLC ± - 1 PLC ± 0,2 2 PLC ± - 3 PLC ± - 4 PLC ± - ANGLES ±		PRODUCT SPEC	RESTRICTED TO	
MATERIAL FINISH		APPLICATION SPEC	SIZE A3	CAGE CODE 00779
		WEIGHT	DRAWING NO C=829261	SCALE NTS
		CUSTOMER DRAWING		SHEET 1 of 1
				REV J2