

4

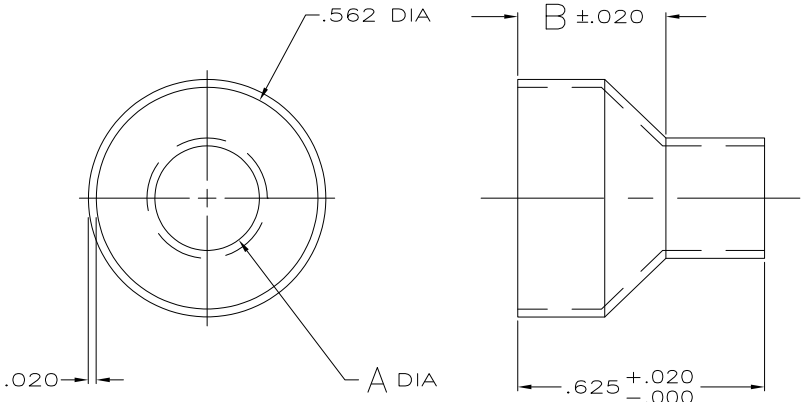
3

2

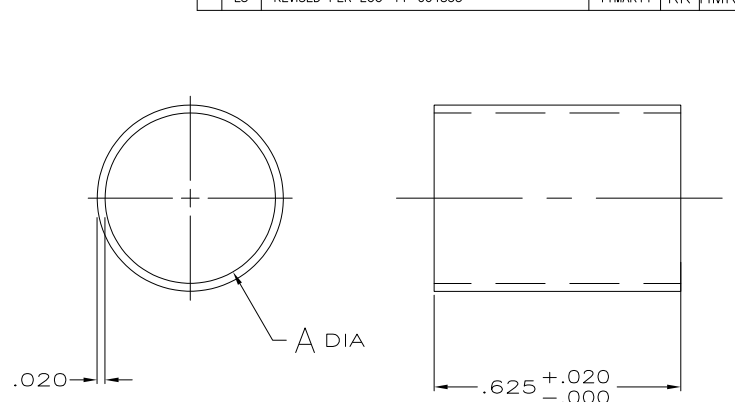
1

THIS DRAWING IS UNPUBLISHED. RELEASED FOR PUBLICATION
 © COPYRIGHT - By - ALL RIGHTS RESERVED.

LOC	DIST	REVISIONS			
P	LTR	DESCRIPTION	DATE	DWN	APVD
GP	00	L3 REVISED PER ECO-11-004835	11MAR11	RK	HMR



STYLE I (STEPPED)



STYLE II (STRAIGHT)

FINISH	STYLE	INSULATION RANGE DIA	B	A	PART NUMBER
△	I	.422-.490	.375	.490	3-747580-1
△	I	.230-.265	.375	.265	2-747580-4
△	I	.338-.385	.375	.385	2-747580-3
△	I I	.480-.562	-	.562	2-747580-2
△	I	.375-.432	.375	.432	2-747580-1
OBSOLETE	△	.230-.265	.375	.265	1-747580-0
OBSOLETE	△	.338-.385	.375	.385	747580-8
OBSOLETE	△ I I	.480-.562	-	.562	747580-6
OBSOLETE	△	.422-.490	.375	.490	747580-5
OBSOLETE	△	.375-.432	.375	.432	747580-4

△ .000100 MIN BRIGHT TIN-LEAD OVER .000100 MIN COPPER.
 △ .000100 MIN BRIGHT TIN OVER .000100 MIN COPPER.

THIS DRAWING IS A CONTROLLED DOCUMENT.

DIMENSIONS: INCHES	TOLERANCES UNLESS OTHERWISE SPECIFIED:	DWN B. MCMASTER 21MAY04	STE TE Connectivity				
0 PLC ± -	1 PLC ± -	CHK J. GERACE 21MAY04					
	2 PLC ± -	APVD M. WALMSLEY 21MAY04	NAME				
	3 PLC ± .005	PRODUCT SPEC	OUTER FERRULE, SIZE 4 AND 5, AMPLIMITE SHIELDING HARDWARE				
MATERIAL: STEEL, ANNEALED	FINISH: SEE TABLE	APPLICATION SPEC	SIZE: A3	CAGE CODE: 00779	DRAWING NO: C-747580	RESTRICTED TO	
		WEIGHT: -	CUSTOMER DRAWING		SCALE: 4:1	SHEET: 1 OF 1	REV: L3