

4

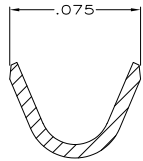
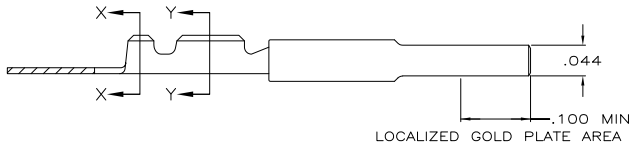
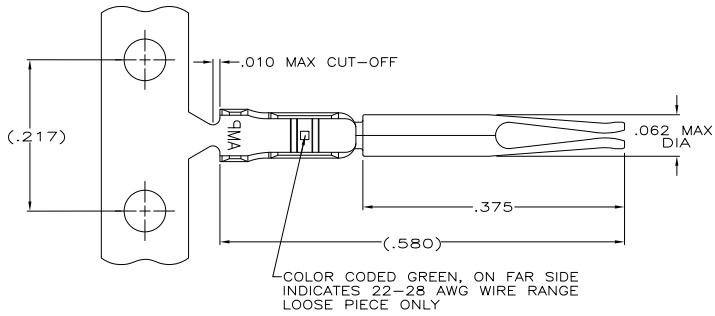
3

2

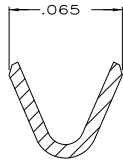
1

THIS DRAWING IS UNPUBLISHED. RELEASED FOR PUBLICATION  
 © COPYRIGHT - By - ALL RIGHTS RESERVED.

LOC	DIST	REVISIONS		
P	LTR	DESCRIPTION	DATE	BY
GP	00			
B1		REVISED PER ECO-11-004835	11MAR11	RK HMR



SECTION X-X  
INSULATION BARREL



SECTION Y-Y  
WIRE BARREL

- 1 FOR MINI APPLICATOR.
- 2 FOR HAND TOOL USE ONLY.
- 3. WIRE RANGE OF 22-28, INSULATION RANGE OF .030-.040.
- 4 .000050 MIN NICKEL UNDERPLATE ON ENTIRE CONTACT.  
.000100 MIN TIN ON WIRE AND INSULATION BARRELS. .000030 MIN GOLD ON LOCALIZED GOLD PLATE AREA.  
OR  
.000050 MIN NICKEL UNDERPLATE ON ENTIRE CONTACT,  
.000100 MIN TIN ON WIRE AND INSULATION BARRELS, GOLD FLASH OVER PALLADIUM-NICKEL, .000030 MIN TOTAL ON LOCALIZED GOLD PLATE AREA.
- 5 PLATED WITH GOLD FLASH IN LOCALIZED GOLD PLATE AREA, .000100 MIN. TIN ON WIRE BARRELS, OVER .000050 MIN. NICKEL UNDERPLATE.

1658686-4	1658686-3
1658686-2	1658686-1
FINISH	LOOSE PIECE
	PART NUMBER

THIS DRAWING IS A CONTROLLED DOCUMENT.		DWN L. BAUM 02JAN04 CHK S. BOLASH 02JAN04 S. BOLASH APD M. WALMSLEY 02JAN04 NAME M. WALMSLEY PRODUCT SPEC 108-1268 APPLICATION SPEC 114-10001 HEIGHT - WEIGHT -	SOCKET CONTACT, 22-28 AWG, 22 DF, AMPLIMITE SIZE CAGE CODE DRAWING NO A2 00779 C=1658686 RESTRICTED TO -
DIMENSIONS: INCHES 0 PLC ± .005 1 PLC ± .005 2 PLC ± .005 3 PLC ± .005 4 PLC ± .005 ANGLES ± .5°	TOLERANCES UNLESS OTHERWISE SPECIFIED: FINISH SEE TABLE	TE Connectivity 	CUSTOMER DRAWING SCALE 10:1 SHEET 1 of 1 REV B1