

4

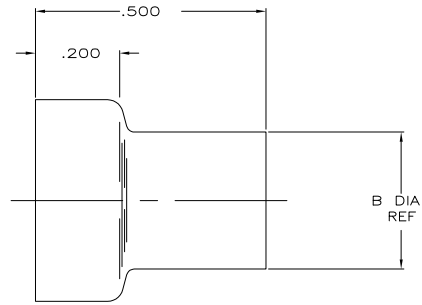
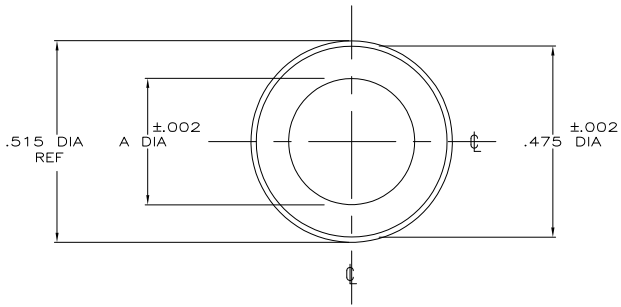
3

2

1

THIS DRAWING IS UNPUBLISHED. RELEASED FOR PUBLICATION
 © COPYRIGHT BY TYCO ELECTRONICS CORPORATION. ALL RIGHTS RESERVED.

LOC	DIST	REVISIONS			
P	LTR	DESCRIPTION	DATE	BY	APPD
GP	00				
	C	REVISED PER EOH-0513-0331-05	26SEP06	JDP	CWR



	.350	.310	TIN OVER COPPER	BRASS .020 THICK	212435-9
OBSOLETE	.300	.260	TIN OVER COPPER	BRASS .020 THICK	212435-8
OBSOLETE	.250	.210	TIN OVER COPPER	BRASS .020 THICK	212435-7
	B DIA. REF	A ±.002 DIA.	FINISH	MATERIAL	PART NO

THIS DRAWING IS A CONTROLLED DOCUMENT.

DIMENSIONS: INCHES 0 PLG ± - 1 PLG ± - 2 PLG ± - 3 PLG ± - 4 PLG ± - ANGLES ± -	DIM. S. SCHAFFHAUSER 3-5-06 OK G. YETTER 3-6-06 APD - PRODUCT SPEC - APPLICATION SPEC - HEIGHT - FINISH -	Tyco Electronics Corporation Harrisburg, PA 17105-3608 FERRULE, SHIELDED, CIRCULAR DIN SIZE: A2 CAGE CODE: 00779 DRAWING NO: C-212435 RESTRICTED TO: - SCALE: N.T.S. SHEET: 1 of 1 REV: C
--	---	---

MATERIAL: SEE TABLE
FINISH: SEE TABLE
CUSTOMER DRAWING

AMP 1471-9 REV 31MM2000

212435

A