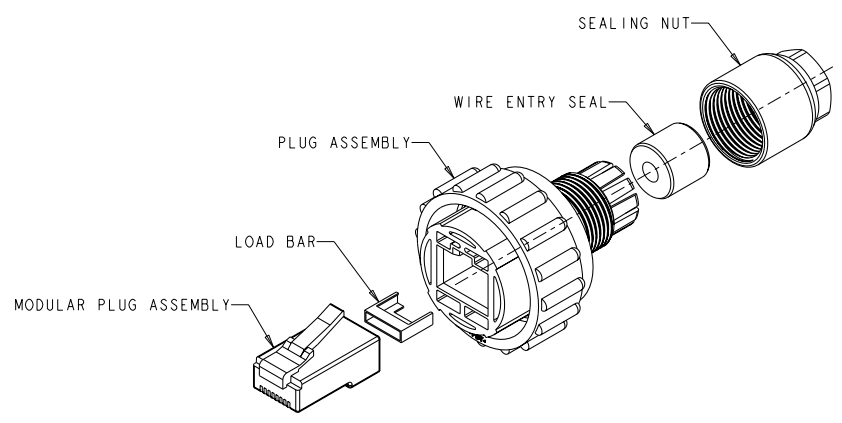
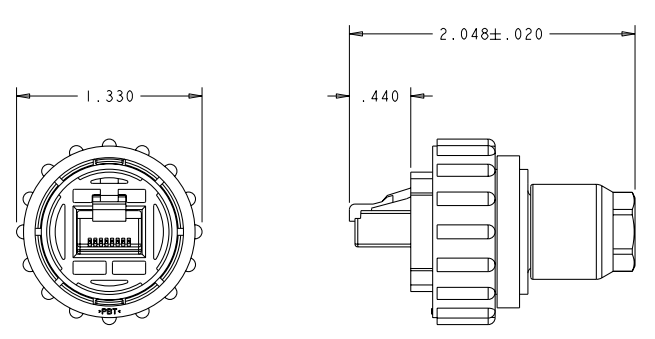


THIS DRAWING IS UNPUBLISHED. RELEASED FOR PUBLICATION
 BY TYCO ELECTRONICS CORPORATION. ALL RIGHTS RESERVED.

LOC		DIST		REVISIONS			
P	LYR	DESCRIPTION	DATE	BY	APPR		
A		REVISED EC 0638-0222-04	08MAR2004	SW	HW		
B		REVISED ECO-07-009503	25APR2007	SW	MS		



1. PARTS PACKAGED UNASSEMBLED.
2. CABLE DIAMETER RANGE: .180[4.6]-.236[6.0].



ASSEMBLED VIEW

STRANDED	1546876-2
SOLID	1546876-1
WIRE TYPE	PART NUMBER

<small>TOP DIMENSIONS ARE CONTROLLING DIMENSIONS FOR THE ELECTRICAL CONNECTION POINTS. DIMENSIONS IN PARENTHESES ARE FOR THE LOCAL REVISED DIMENSIONS.</small>		DWN S. WELDON 08MAR2004 CDR H. WAKEEM 08MAR2004 APTR H. WAKEEM 08MAR2004	Tyco Electronics Harrisburg, PA 17105-3608
DIMENSIONS: INCHES	TOLERANCES UNLESS OTHERWISE SPECIFIED: 0 PLC ±0.1 1 PLC ±0.03 2 PLC ±0.005 3 PLC ±0.005 4 PLC ±0.005 ANGLES ±.005	NAME PLUG KIT, UNASSEMBLED, UNSHIELDED, CPC INDUSTRIAL ETHERNET PRODUCT SPEC APPLICATION SPEC WEIGHT MATERIAL FINISH	SHEET A2 CASE CODE 00779 DRAWING NO. 1546876 RESTRICTED TO
CUSTOMER DRAWING		SCALE 2:1	SHEET 1 OF 1 REV B