

4

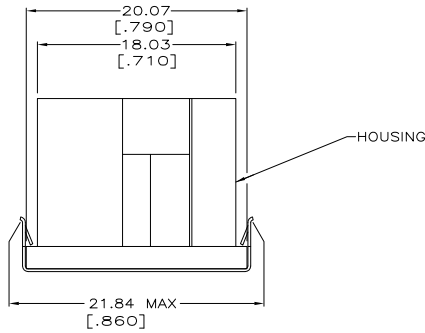
3

2

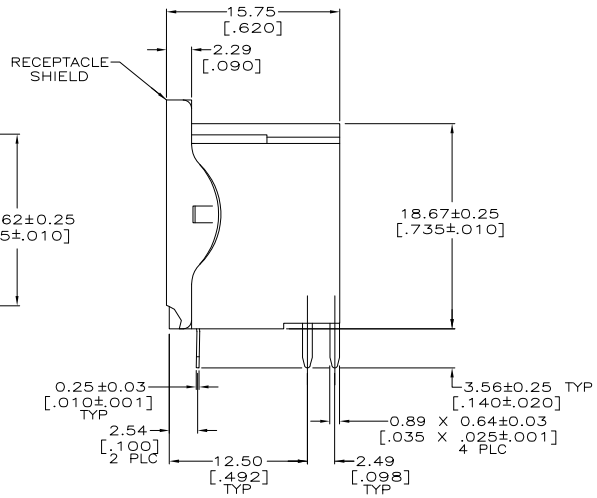
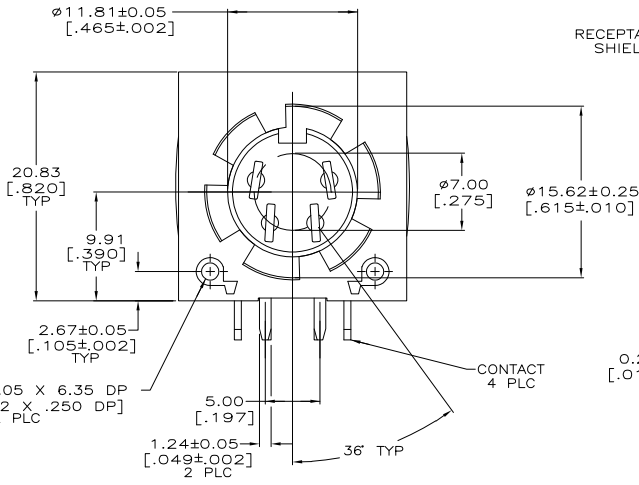
1

THIS DRAWING IS UNPUBLISHED. RELEASED FOR PUBLICATION
 © COPYRIGHT BY TYCO ELECTRONICS CORPORATION. ALL RIGHTS RESERVED.

LOC		DIBT		REVISIONS		
F	LTR	DESCRIPTION	DATE	BY	APP'D	
GP	00					
	01	REVISED PER ECO-07-008008	10APR07	JDP	CWR	



- △ HOUSING: NYLON, UL 94V-0 RATED, BLACK.
- △ CONTACTS & RECEPTACLE SHIELD: 2.54μm [.000100] MIN TIN OVER 1.27μm [.000050] MIN NICKEL.
- △ ACCEPTS #2 SELF-TAPPING SCREW, .250 LONG REF.
- △ CONTACTS & RECEPTACLE SHIELD: BRASS.



△ $\phi 1.60 \pm 0.05 \times 6.35$ DP
 2 PLC

1.24 ± 0.05
 2 PLC

CONTACT
 4 PLC

5212032-1
 PART
 NUMBER

THIS DRAWING IS A CONTROLLED DOCUMENT.		BY: J. VASELA - 11-11-04	TYCO Electronics	Tyco Electronics Corporation
DRAWN BY: J. VASELA - 11-11-04		CHK: M. WALKMSLEY - 11-11-04	ROHS	Harrisburg, PA 17105-3608
DIMENSIONS: mm [INCHES]		APPROVED: M. WALKMSLEY	NAME: M. WALKMSLEY	
TOLERANCES UNLESS OTHERWISE SPECIFIED:		PRODUCT SPEC: 108-10047	HEADER, DIN INTERFACE, 90 DEGREE, 4 POSITION, WITH GROUNDING AND MOUNTING HOLES	
0 PLC ± .010		APPLICATION SPEC: 114-40025	SIZE: A2	CAGE CODE: 00779
1 PLC ± .015		WEIGHT: -	DRAWING NO: C=5212032	
2 PLC ± .020		CUSTOMER DRAWING		
3 PLC ± .030		SCALE: 4:1		
4 PLC ± .040		SHEET: 1 of 1		
ANGLES: ± 0.30°		REV: 01		
FINISH: △				