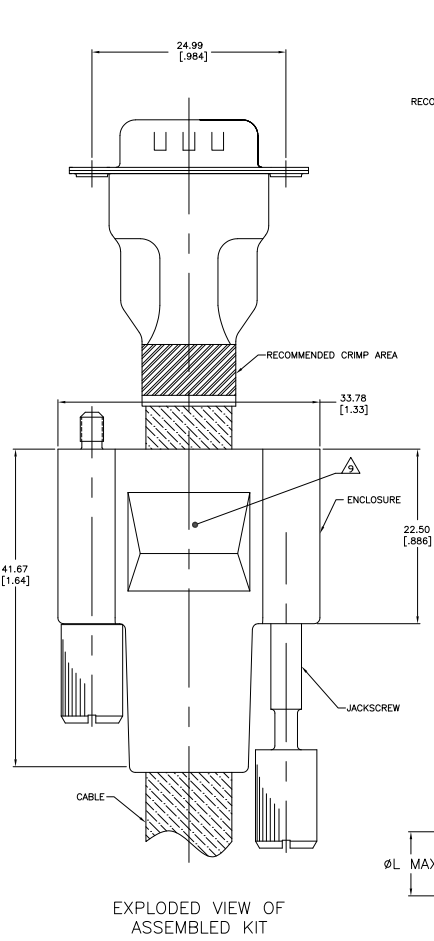
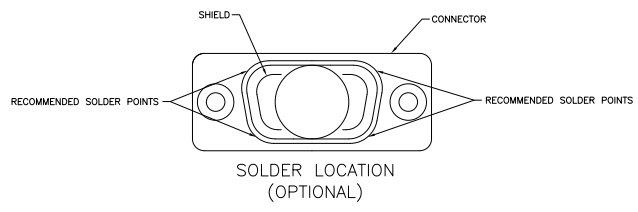


NON ROHS COMPLIANT VERSION

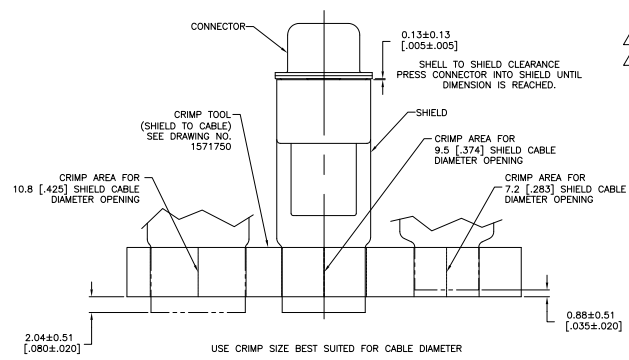
REV	DATE	DESCRIPTION	BY	CHK	APP
GP 00					
E1		REVISED PER EDD-11-004835			



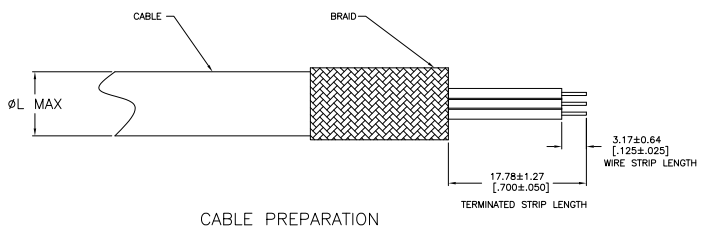
EXPLODED VIEW OF ASSEMBLED KIT



SOLDER LOCATION (OPTIONAL)



SHIELD TO CABLE CRIMP



CABLE PREPARATION

- NOTES:
- △ MATERIAL
 INSERT: PBT, BLACK, UL94V-0 RATED
 CONTACT & JACKSCREWS: BRASS
 SHELLS & SHIELD: STEEL
 ENCLOSURE: PVC, BLACK
 - △ FINISH
 CONTACT: GOLD PLATING 0.02µm[0.000008] MIN ON CONTACT AREA/2.3µm[0.000090] MIN TIN-LEAD PLATING ON SOLDER AREA. ALL OVER 1.27µm[0.000050] MIN NICKEL.
 SHELL: 2.4µm[0.000095] MIN TIN
 SHIELD: 2.0-3.0µm[0.000080-0.00120] TIN
 - 3. SPECIFICATION
 ELECTRICAL CHARACTERISTICS:
 CURRENT RATING: 3 AMPERES
 DIELECTRIC WITHSTANDING VOLTAGE: AC 1000V R.M.S.
 INSULATION RESISTANCE: 5000 MEGOHMS MINIMUM AT DC 500V
 CONTACT RESISTANCE: 10 MILLIOHMS - MAXIMUM
 - 4. PLUG CONNECTOR FULLY LOADED WITH CONTACTS.
 ALL OTHER PARTS ARE SHIPPED UNASSEMBLED, EACH PART INDIVIDUALLY BULK PACKED.
 - 5. SOLDER CUP WILL ACCOMMODATE 20 MAX AWG WIRE.
 - △ FINISH
 CONTACT: GOLD PLATING 0.02µm[0.000008] MIN ON CONTACT AREA/2.3µm[0.000090] MIN TIN PLATING ON SOLDER AREA. ALL OVER 1.27µm[0.000050] MIN NICKEL.
 SHELL: 2.4µm[0.000095] MIN TIN
 SHIELD: 2.0-3.0µm[0.000080-0.00120] TIN
 - △ ROHS 2002/95/EC COMPLIANT PART (SEE SHEET 2).
 - △ COMPANY LOGO IN APPROXIMATE AREA SHOWN.

ASSEMBLY INSTRUCTIONS

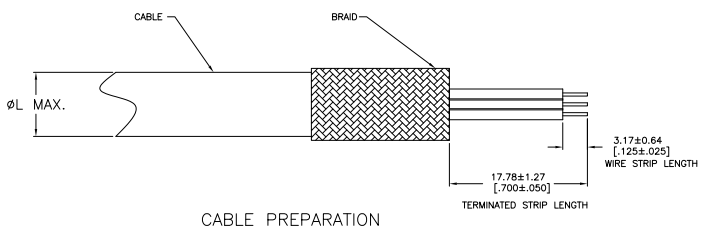
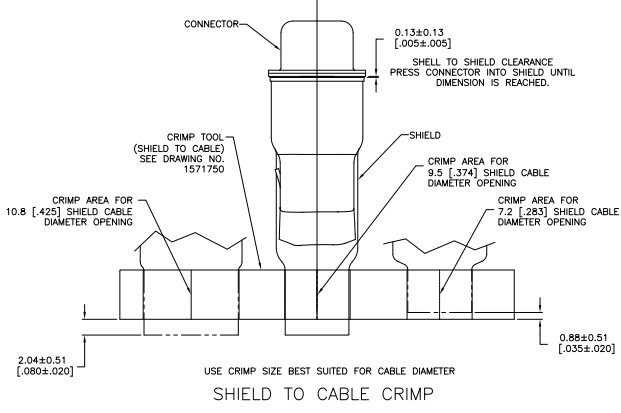
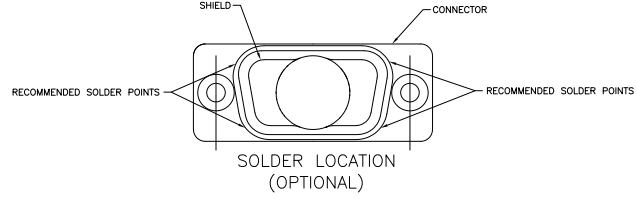
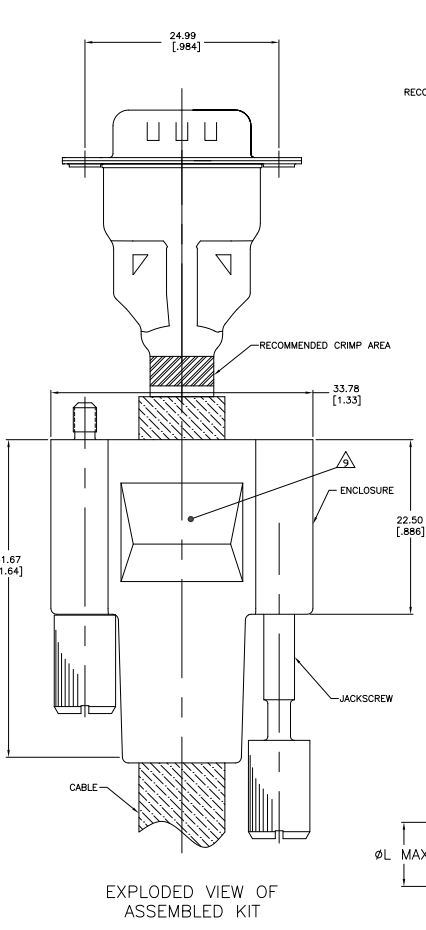
- A. USE SHIELD ENCLOSURE EXPANSION TOOL, 58241-1 TO GET ENCLOSURE ON CABLE.
- B. PREPARE CABLE AS SHOWN.
- C. PLACE CABLE THROUGH SHIELD.
- D. SOLDER CONDUCTORS TO CONTACTS.
- E. PRESS SHIELD ONTO CONNECTOR AS SHOWN
- F. SOLDER SHIELD TO CONNECTOR AS SHOWN (OPTIONAL).
- G. METALLIC SHIELD SURFACES AND INTERIOR ENCLOSURE SURFACE MUST BE CLEAN AND DRY PER 3M REQUIREMENTS.
- H. CUT TWO PIECES OF 3M/SCOTCH VHB 4926, DOUBLE COATED ADHESIVE TAPE 6 TO 8mm WIDE BY 10 TO 18mm LONG.
- I. APPLY TAPE TO METALLIC SHIELD SURFACE. LENGTHWISE. ADJACENT TO CONNECTOR FLANGE.
- J. REMOVE ADHESIVE BACKING FROM TAPE AND PUSH ENCLOSURE OVER METALLIC SHIELD.
- K. BOND STRENGTH IS DEPENDANT ON THE AMOUNT OF SURFACE CONTACT DEVELOPED. A FIRM APPLICATION DEVELOPS A BETTER BOND. ULTIMATE SURFACE CONTACT CAN BE ACCOMPLISHED BY CLAMPING ENCLOSURE TO THE SHIELD. CARE SHOULD BE TAKEN NOT TO MAR THE POLYMER SURFACE. SHIMS MAY BE REQUIRED TO EVENLY DISTRIBUTE THE CLAMPING FORCE ACROSS THE POLYMER.
- L. ULTIMATE BOND STRENGTH IS DEVELOPED AFTER 72 HOURS, BUT MAY BE ACCELERATED BY EXPOSURE TO 66°C FOR 1 HOUR, IF THE CLAMPS ARE COMPATIBLE WITH THIS TEMPERATURE.
- M. INSERT JACKSCREWS.

△	△	10.8 [425]	1571650-6
△	△	9.5 [374]	1571650-5
△	△	7.2 [283]	1571650-4
△	△	10.8 [425]	1571650-3
△	△	9.5 [374]	1571650-2
△	△	7.2 [283]	1571650-1
△	△	FINISH	CABLE DIA L PART NUMBER

THIS DRAWING IS A CONTROLLED DOCUMENT.		REV	REVISION	DATE
1	108-40031			
2	108-40031			
3	108-40031			
4	108-40031			
5	108-40031			
6	108-40031			
7	108-40031			
8	108-40031			
9	108-40031			
10	108-40031			
11	108-40031			
12	108-40031			
13	108-40031			
14	108-40031			
15	108-40031			
16	108-40031			
17	108-40031			
18	108-40031			
19	108-40031			
20	108-40031			

REV	DATE	DESCRIPTION	BY	CHK	APPD
GP 00		SEE SHEET 1			

ROHS 2002/95/EC COMPLIANT VERSION



- ASSEMBLY INSTRUCTIONS**
- USE SHIELD ENCLOSURE EXPANSION TOOL, 58241-1 TO GET ENCLOSURE ON CABLE.
 - PREPARE CABLE AS SHOWN.
 - PLACE CABLE THROUGH SHIELD.
 - SOLDER CONDUCTORS TO CONTACTS.
 - PRESS SHIELD ONTO CONNECTOR AS SHOWN.
 - SOLDER SHIELD TO CONNECTOR AS SHOWN (OPTIONAL).
 - CRIMP SHIELD TO CABLE AS SHOWN IN CRIMP DETAIL.
 - PRESS ENCLOSURE OVER SHIELD UNTIL CONNECTOR FLANGE IS FLUSH WITH ENCLOSURE EDGE.
 - INSERT JACKSCREWS.

THIS DRAWING IS A CONTROLLED DOCUMENT.		REV. NUMBER	DATE	BY	CHK	APPD
DRAWING LABEL:		PROJECT NAME	DATE	SIZE	DATE	DATE
DRAWING NO.		108-40031	DATE	SIZE	DATE	DATE
DRAWING NO.		A100779	DATE	SIZE	DATE	DATE
DRAWING NO.		1571650	DATE	SIZE	DATE	DATE
DRAWING NO.		1571650	DATE	SIZE	DATE	DATE
DRAWING NO.		1571650	DATE	SIZE	DATE	DATE