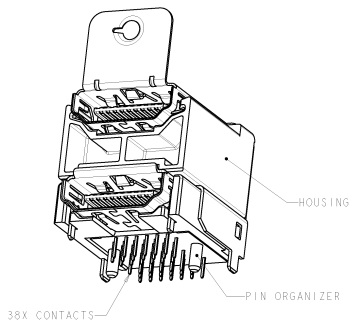
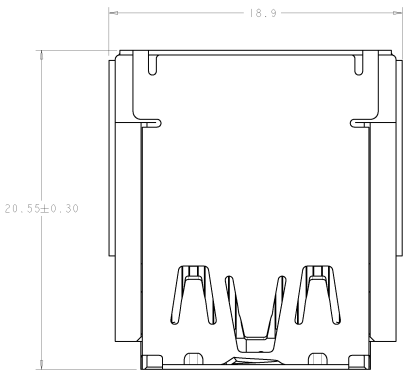


8	7	6	5	4	3	2	1
APPROVED FOR PRODUCTION	DESIGNED FOR PRODUCTION						
DATE: 01/11/2011	BY: [Signature]						

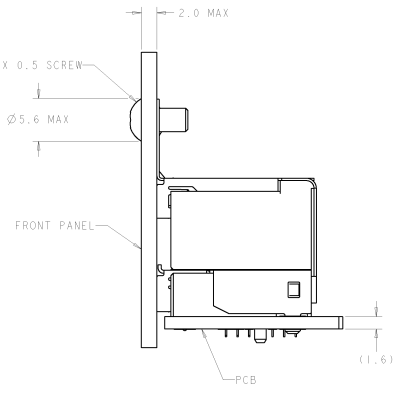
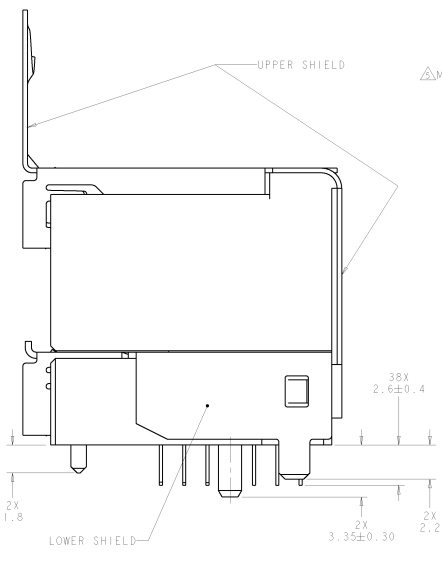
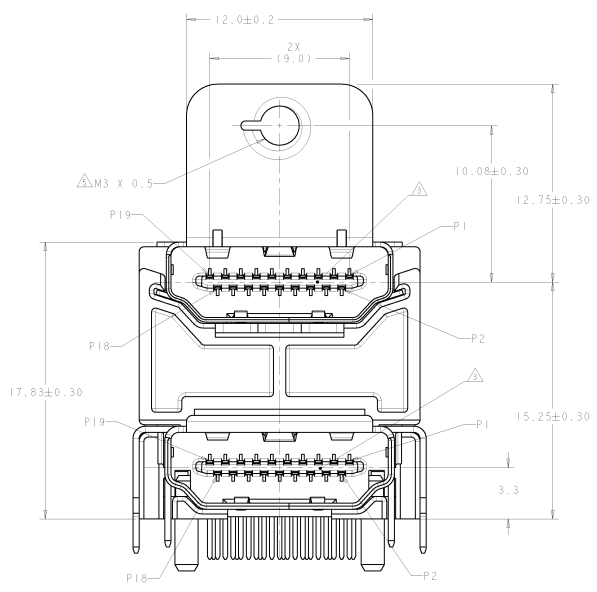
REV	DATE	DESCRIPTION	BY	CHK	APP
00		REVISION 1			
01		REVISED PER ECO-11-00003			



ISOMETRIC VIEW
SCALE: 4:1

- MATERIALS:**
 HOUSING & PIN ORGANIZER: HIGH TEMP THERMOPLASTIC, UL94V-0, BLACK.
 CONTACTS: COPPER ALLOY
 SHIELDS: STAINLESS STEEL
- FINISH:**
CONTACTS:
 GOLD FLASH OVER
 PALLADIUM-NICKEL PLATE, 0.3µm MIN TOTAL ON THE MATING SURFACE.
 2µm MIN TIN PLATE ON THE SOLDER-TAIL.
 2µm MIN NICKEL UNDERPLATE ON THE ENTIRE CONTACT.
 OR
 0.3µm MIN GOLD PLATE ON THE MATING SURFACE.
 2µm MIN TIN PLATE ON THE SOLDER-TAIL.
 2µm MIN NICKEL UNDERPLATE ON THE ENTIRE CONTACT.
LOWER SHIELD:
 0.75µm MIN TIN OVER
 0.8µm MIN NICKEL UNDERPLATE

- △ INTERFACE DIMENSIONS ARE PER HDMI SPECIFICATION VERSION 1.3a.
 4. WAVE SOLDER COMPATIBLE PER 109-202, CONDITION B, NO CLEAN FLUX IS RECOMMENDED.
 △ APPLIED TORQUE MUST NOT EXCEED 4 kg-cm (3.47 in-lbs).
 △ HOLES INDICATED ARE NOT REQUIRED FOR MOUNTING OF 188811-1, BUT MUST BE ADDED TO ENABLE INTERCHANGEABILITY WITH 1746679.



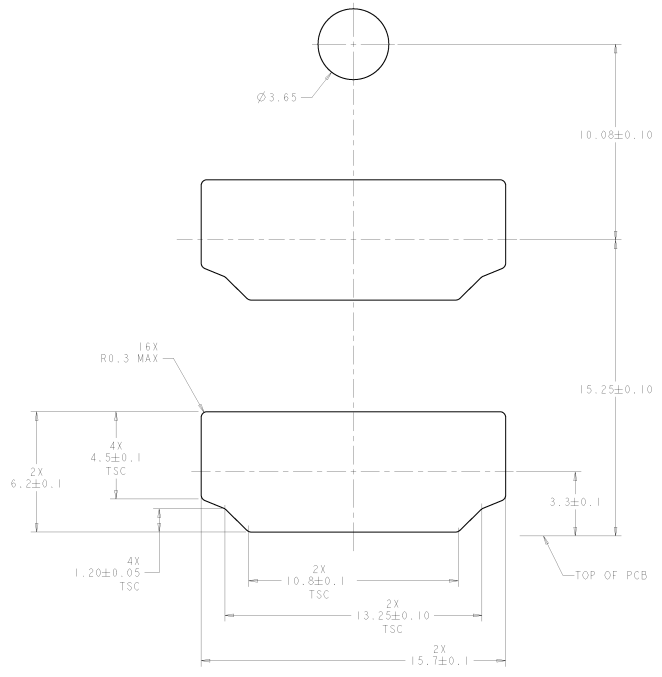
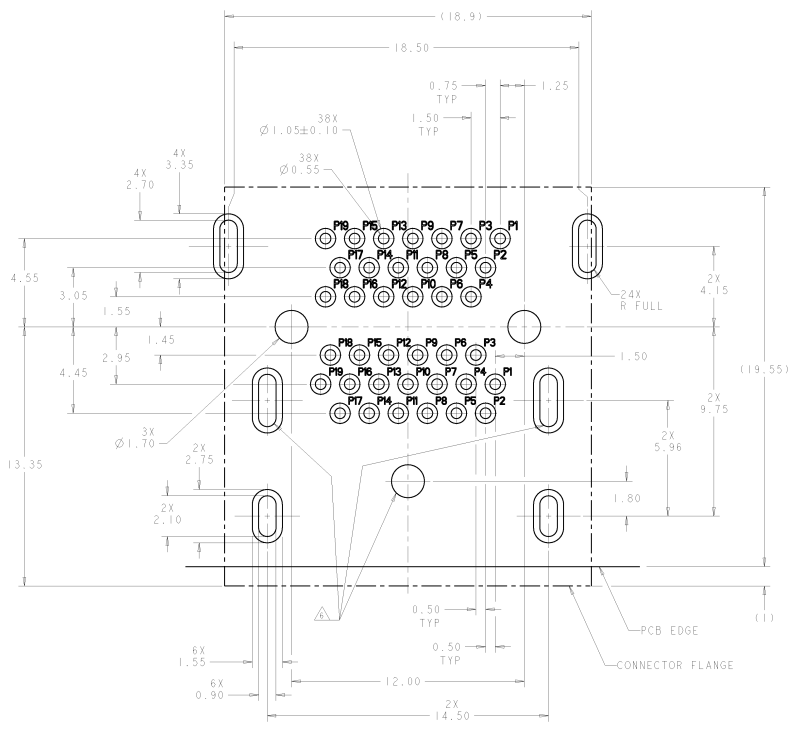
INSTALLED CONDITION VIEW
SCALE: 4:1

188811-1
PART NO

MANUFACTURER: [Symbol] PART: [Symbol] MATERIAL: [Symbol]	MANUFACTURED QUANTITY: [Symbol] DATE: [Symbol] TIME: [Symbol]	REVISION: [Symbol] DATE: [Symbol] TIME: [Symbol]	TE TE Connectivity CONNECTOR ASSEMBLY, HDMI STACKED PART NO: 188811-1 REV: A 00779 02-188811
--	---	--	---

100% NEW ONLY COMPLIANCE
 P10/ENGINEER DRAWING

REV. NO.	REV. DATE	DESCRIPTION	BY	CHK	APP
00		INITIAL			
01		REVISED			
02		REVISED			



MANUFACTURED BY MFG. PART NO. MFG. QUANTITY MFG. DATE	REVISED BY REV. PART NO. REV. QUANTITY REV. DATE	APPROVED BY APP. PART NO. APP. QUANTITY APP. DATE	CUSTOMER DRAWING CUST. PART NO. CUST. QUANTITY CUST. DATE	TE Connectivity CONNECTOR ASSEMBLY, HDMI STACKED 00779 (2-18881) SHEET 2 OF 2
--	---	--	--	--