

| | | | | | | | | |
|----------------------------|-----------|-----------|--|-----|---------------------------|---------|-----|------|
| MATED WITH: PASSEND ZU: | LOC A1 | DIST — | REVISIONS ÄNDERUNGEN DESCRIPTION BESCHREIBUNG | | | DATE | DWN | APVD |
| PROJEKT NR.: — | | | P | LTR | | 22MAR11 | RK | HMR |
| | | | | A1 | REVISED PER ECO-11-005150 | | | |


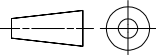
Customer Drawing
for PN 1703013

SEE 1703020

RELEASED FOR PUBLICATION
FREI FÜR VERÖFFENTLICHUNG
ALL RIGHTS RESERVED.

THIS DRAWING IS UNPUBLISHED.
VERTRAULICHE UNVERÖFFENTLICHTE ZEICHNUNG.
© COPYRIGHT — By —

| — | — | — | — | — | — | — | — |
|------------------|---------|------|------|----------|---------------|-------------|---|
| CUSTOMER PART NO | PART NO | REV. | PCS. | MATERIAL | SURFACE COLOR | DESCRIPTION | |

| | | | | | | |
|---|--|--|----------------------------|--|--------------------------|-----------|
| DIMENSIONS: MASSE/INHEITEN mm | DWN Abraham,G. 04-FEB-04 | MATERIAL | FINISH OBERFLÄCHE/FARBE | — | | |
| TOLERANCES UNLESS OTHERWISE SPECIFIED: ALL GEMEINTOLERANZEN p.p. ISO 8015 p.p. ISO 2768 - mH -E p.p. DIN 16901 - 140 | CHK Goepfel,C. 05-FEB-04 |  TE Connectivity | | | | |
| | APVD Bleicher,M. 06-FEB-04 | | | | | |
| | 0 PLC ± - | PRODUCT SPEC PRODUKTSPEZ. | NAME | DIA. 1.5mm PIN CONTACT, SINGLE WIRE SEALING DIA 1.5mm Stiftkontakt, Einzeldichtungssystem | | |
| 1 PLC ± - | APPLICATION SPEC VERARBEITUNGSSPEZ. | SIZE | CAGE CODE | DRAWING NO ZEICHNUNGS-NR. | RESTRICTED TO NUR FÜR | |
| 2 PLC ± - | — | A4 | 00779 | G-1703013 | — | |
| 3 PLC ± - | WEIGHT GEWICHT | — | — | — | — | |
| 4 PLC ± - | | | | | | |
| ANGLES / WINKEL ± - | | | | | | |
|  | CUSTOMER DRAWING / KUNDENZEICHNUNG | | SCALE MASSSTAB | SHEET BLATT | 1 OF 1 VON | REV A1 |