

4

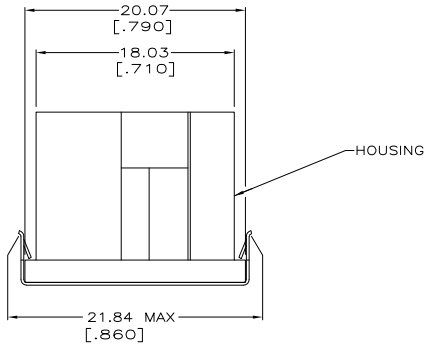
3

2

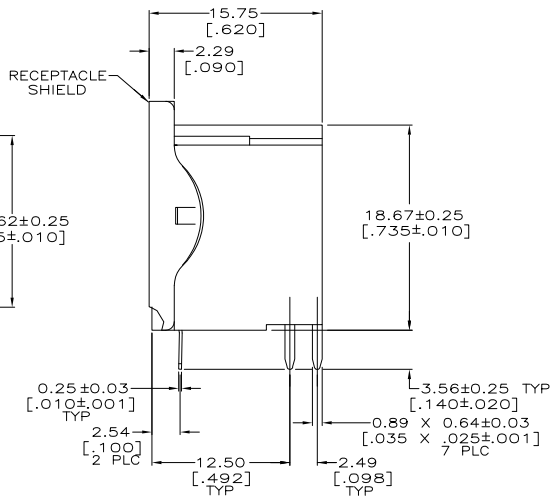
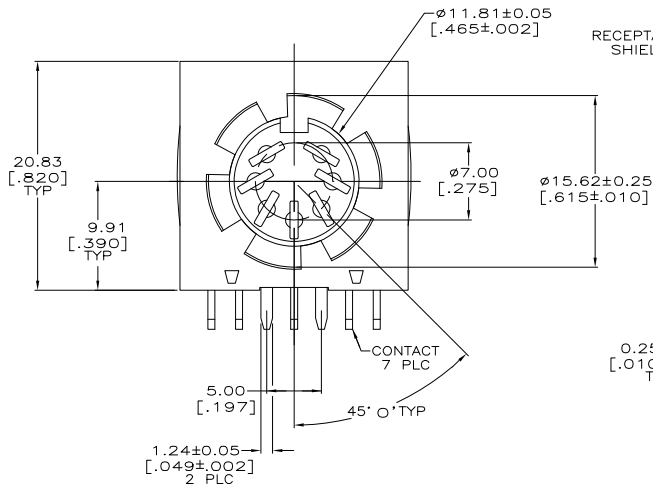
1

THIS DRAWING IS UNPUBLISHED. RELEASED FOR PUBLICATION
 © COPYRIGHT BY TYCO ELECTRONICS CORPORATION. ALL RIGHTS RESERVED.

LOC		DIBT		REVISIONS		
F	LTR	DESCRIPTION	DATE	BY	APP'D	
GP	00					
	01	REVISED PER ECO-07-008008	10APR07	JDP	CWR	



- △ HOUSING: NYLON, UL 94V-0 RATED, BLACK.
- △ CONTACTS & RECEPTACLE SHIELD: 2.54μm [.000100] MIN TIN OVER 1.27μm [.000050] MIN NICKEL.
- △ CONTACTS & RECEPTACLE SHIELD: BRASS.



5212046-1
PART NUMBER

THIS DRAWING IS A CONTROLLED DOCUMENT.		DWG 11-12-04 1 VASELA - DOCKES OK 11-12-04 C. RHOIDE APD M. WALKMSLEY 11-12-04 NAME PRODUCT SPEC 108-10047 APPLICATION SPEC 114-40025 WEIGHT -	Tyco Electronics Tyco Electronics Corporation Harrisburg, PA 17105-3608	RECEPTACLE ASSY, RIGHT ANGLE, SHIELDED, 7 POSITION, CIRCULAR DIN	SIZE A2 CASE CODE 00779 DRAWING NO. C=5212046 RESTRICTED TO -
DIMENSIONS: mm [INCHES] 0 PLC ± - 1 PLC ± - 2 PLC ± 0.1% (0.05) 3 PLC ± - 4 PLC ± - ANGLES ± 0.3° FINISH	MATERIAL △ △ △ FINISH △	CUSTOMER DRAWING	SCALE 4:1 SHEET 1 of 1 REV 01		