

4

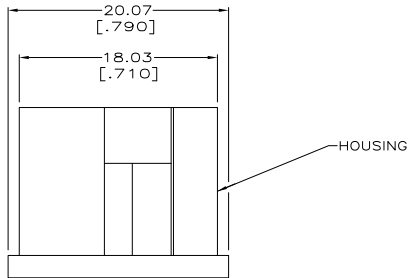
3

2

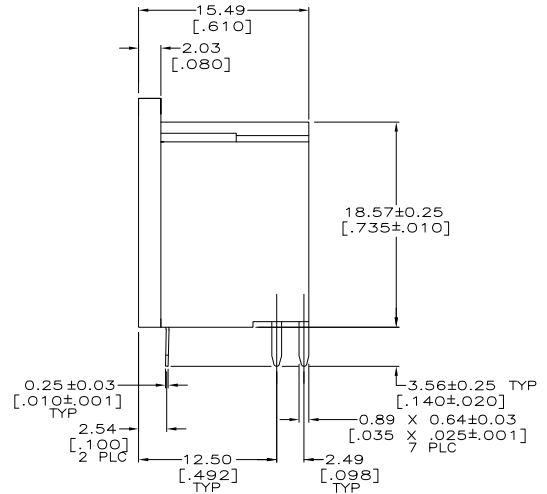
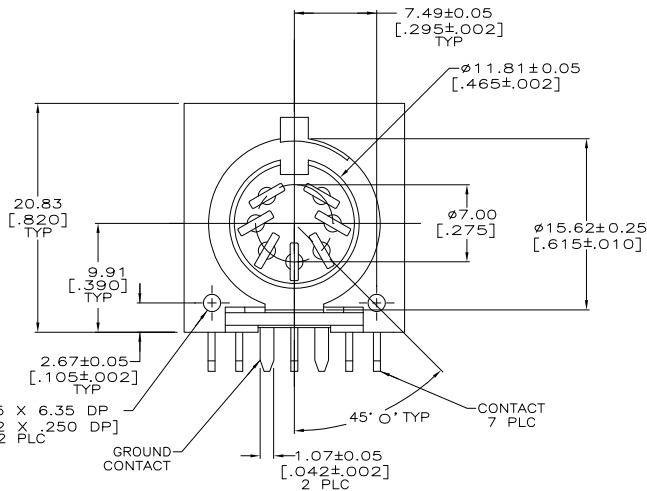
1

THIS DRAWING IS UNPUBLISHED. RELEASED FOR PUBLICATION
 BY TYCO ELECTRONICS CORPORATION. ALL RIGHTS RESERVED.

LOC	DIST	REVISIONS		
F	LR	DESCRIPTION	DATE	BY
GP	00			
	01	REVISED PER ECO-07-008008	10APR07	JDP/CWR



- ⚠ HOUSING: NYLON, UL 94V-0 RATED, BLACK.
- ⚠ CONTACTS & GROUND CONTACT: 2.54μm [.000100] MIN TIN OVER 1.27μm [.000050] MIN NICKEL.
- ⚠ ACCEPTS #2 SELF-TAPPING SCREW, .250 LONG REF.
- ⚠ CONTACT AND GROUND CONTACT: BRASS.



5211510-1
 PART NUMBER

THIS DRAWING IS A CONTROLLED DOCUMENT.		DRN L. VARELA - 11-11-04	Tyco Electronics Corporation Harrisburg, PA 17105-3608	
DIMENSIONS: mm [INCHES]		CHK C. ROHDE - 11-11-04	RECEPTACLE ASSY, RIGHT ANGLE, 7 POSITION, CIRCULAR DIN	
TOLERANCES UNLESS OTHERWISE SPECIFIED:		APPC M. WALMSLEY - 11-11-04	SIZE A2	
0 PLC ± .010	1 PLC ± .015	PRODUCT SPEC 108-10047	CAGE CODE 00779	DRAWING NO. 5211510
2 PLC ± .020	3 PLC ± .030	APPLICATION SPEC 114-40025	RESTRICTED TO	
4 PLC ± .040	ANGLES ± .5°	WEIGHT	SCALE 4:1	SHEET 1 of 1
MATERIAL ⚠	FINISH ⚠	CUSTOMER DRAWING	REV 01	