

4

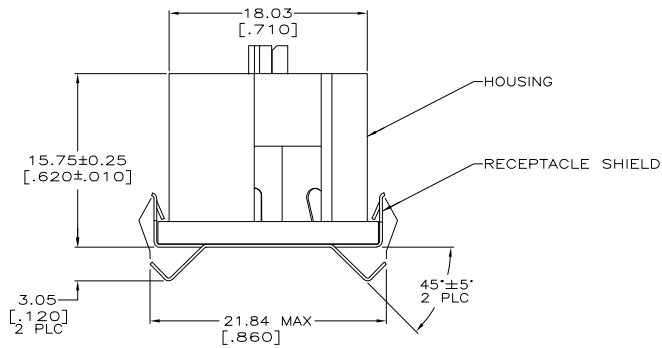
3

2

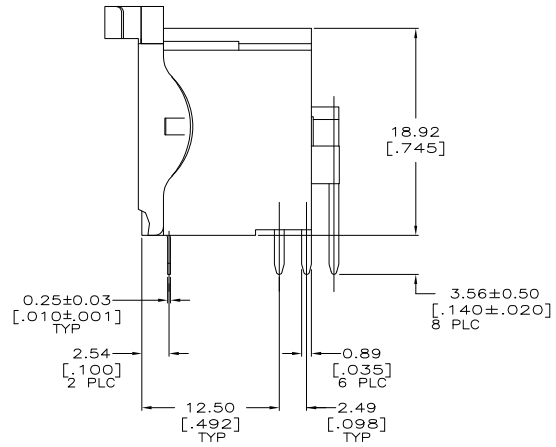
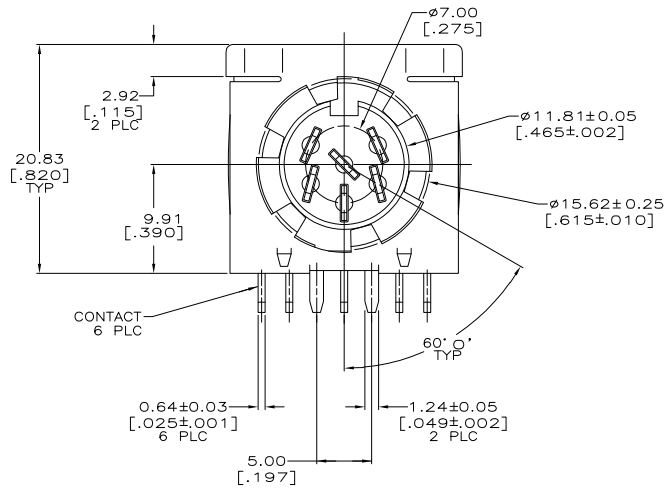
1

THIS DRAWING IS UNPUBLISHED. RELEASED FOR PUBLICATION  
 © COPYRIGHT BY TYCO ELECTRONICS CORPORATION. ALL RIGHTS RESERVED.

LOC		DIBT		REVISIONS		
F	LR	DESCRIPTION	DATE	BY	APP'D	
GP	00	01	REVISED PER ECO-07-008008	10APR07	JDPCWR	



- △ HOUSING: NYLON, UL 94V-0 RATED, BLACK.
- △ CONTACTS & RECEPTACLE SHIELD: BRASS.
- △ CONTACTS & RECEPTACLE SHIELD: 2.54µm [.000100] MIN TIN OVER 1.27µm [.000050] MIN NICKEL.



5786676-1  
PART NO

DIMENSIONS		TOLERANCES UNLESS OTHERWISE SPECIFIED		MATERIAL		FINISH	
mm	[INCHES]	PLC	±	PLC	±	PLC	±
0 PLC	±	0 PLC	±	0 PLC	±	0 PLC	±
1 PLC	±	1 PLC	±	1 PLC	±	1 PLC	±
2 PLC	±	2 PLC	±	2 PLC	±	2 PLC	±
3 PLC	±	3 PLC	±	3 PLC	±	3 PLC	±
4 PLC	±	4 PLC	±	4 PLC	±	4 PLC	±
ANGLES	±	ANGLES	±	ANGLES	±	ANGLES	±

THIS DRAWING IS A CONTROLLED DOCUMENT.		DWG		REV		DATE	
		1	VABELA	11-12-04	DOCKS	11-12-04	
		2	ROHDE	11-12-04			
		3	M. WALKMSLEY	11-12-04			
		4					

CUSTOMER DRAWING		TYCO Electronics		Tyco Electronics Corporation	
		Harrisburg, PA 17105-3608			
RECEPTACLE ASSEMBLY, 6 POSN, RIGHT ANGLE, W/FRONT PANEL		108-10047		SIZE CASE CODE (PARTS NO)	
GROUNDING FINGERS, CIRCULAR DIN		114-40025		A2 00779 C=5786676	
RESTRICTED TO		SCALE 4:1		SHEET 1 of 1	
		REV 01			

AMP 1471-9 REV 31MMR2000

5786676

A