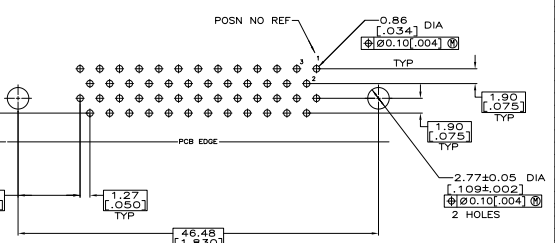
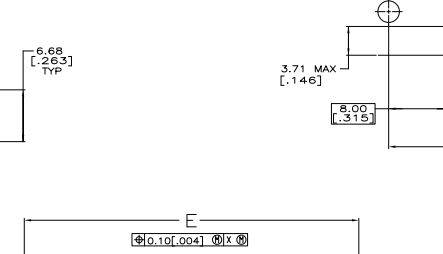
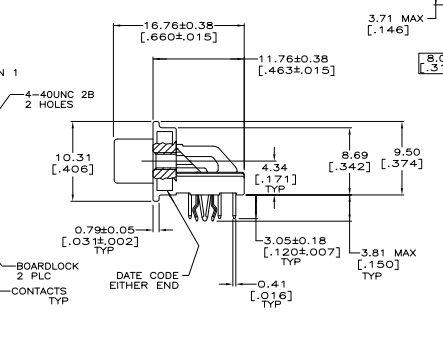
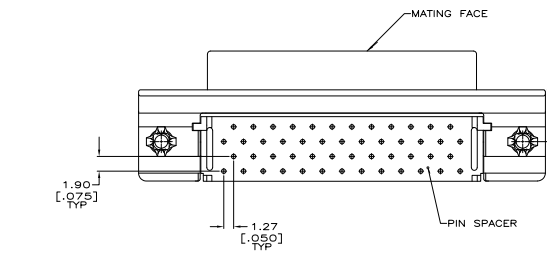
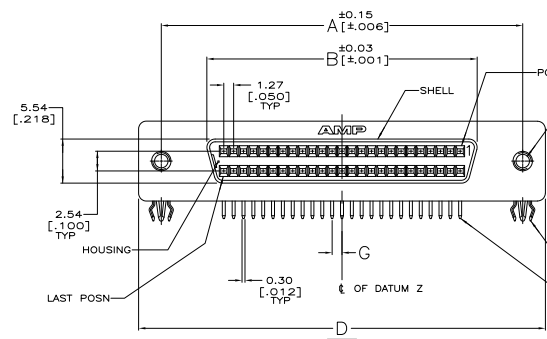
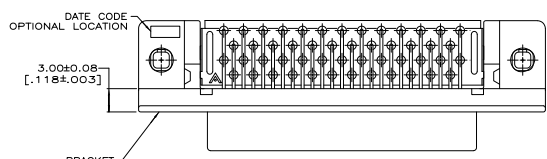
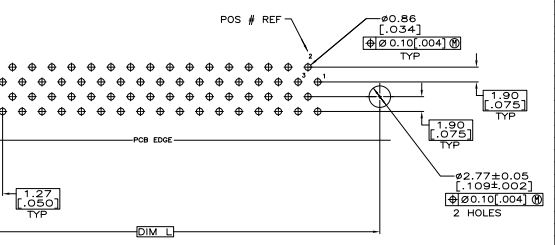


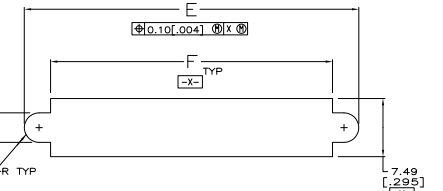
REV	DATE	DESCRIPTION	BY	CHK	APP
00					
B		REVISED PER ECO-08-010444			



P.C. BOARD MOUNTING DIMENSIONS
 CONECTOR SIDE
 P.C. BOARD THICKNESS 2.36±0.20 [0.93±0.008]
 PC BOARD PATTERN S



P.C. BOARD MOUNTING DIMENSIONS
 CONECTOR SIDE
 P.C. BOARD THICKNESS 2.36±0.20 [0.93±0.008]
 PC BOARD PATTERN T



RECOMMENDED PANEL CUTOUT

- CONTACTS: PHOSPHOR BRONZE
- HOUSING & PIN SPACER: UL 94V-0 RATED, THERMOPLASTIC, BLACK
- BRACKET: ZINC
- SHELL: CARBON STEEL
- BOARDLOCKS: COPPER ALLOY
- CONTACTS: EITHER 0.76µm [0.00030] MIN GOLD PLATE ON MATING END OR GOLD FLASH OVER PALLADIUM NICKEL PLATE, 0.76µm [0.00030] MIN TOTAL, ON MATING END, 3.81µm [0.00150] MIN TIN ON OPPOSITE END FOR A LENGTH OF 2.72 [1.07] MIN, BOTH OVER 1.27µm [0.00050] MIN NICKEL.
- SHELL: 5.08µm [0.00020] MIN NICKEL OVER 1.27µm [0.00050] MIN COPPER.
- BRACKET: 2.54µm [0.00100] MIN NICKEL OVER 5.08µm [0.00020] COPPER.
- BOARDLOCKS: 5.08µm [0.00020] MIN TIN OVER 1.27µm [0.00050] MIN NICKEL.

T	78.23	0.64	69.44	82.04	84.20	66.45	78.23	100	5787362-9
	3.080	0.025	2.734	3.230	3.315	2.616	3.080		
T	57.91	0.64	49.12	61.72	63.88	46.13	57.91	68	5787362-7
	2.260	0.025	1.934	2.430	2.515	1.816	2.260		
S	-	1.27	37.69	50.29	52.45	34.70	46.48	50	5787362-5
		0.050	1.484	1.980	2.065	1.366	1.830		
PC BOARD PATTERN	L	G	F	E	D	B	A	NO OF POS	PART NUMBER

DESIGNER	DATE	BY	DATE	BY	DATE	BY	DATE

THIS DRAWING IS A CONTROLLED DOCUMENT. IN PERMANENCE. SHAW-WORTH. TYS ELECTRONICS CORPORATION. HARRISBURG, PA 17105-3608.

RECEPACLE ASSEMBLY, RIGHT ANGLE, SHIELDED, 1.27[0.050] SERIES, AMPLIMITE

114-40029

100 USE SIZE [DRAWING NO] 100779[G]=5787362

CUSTOMER DRAWING