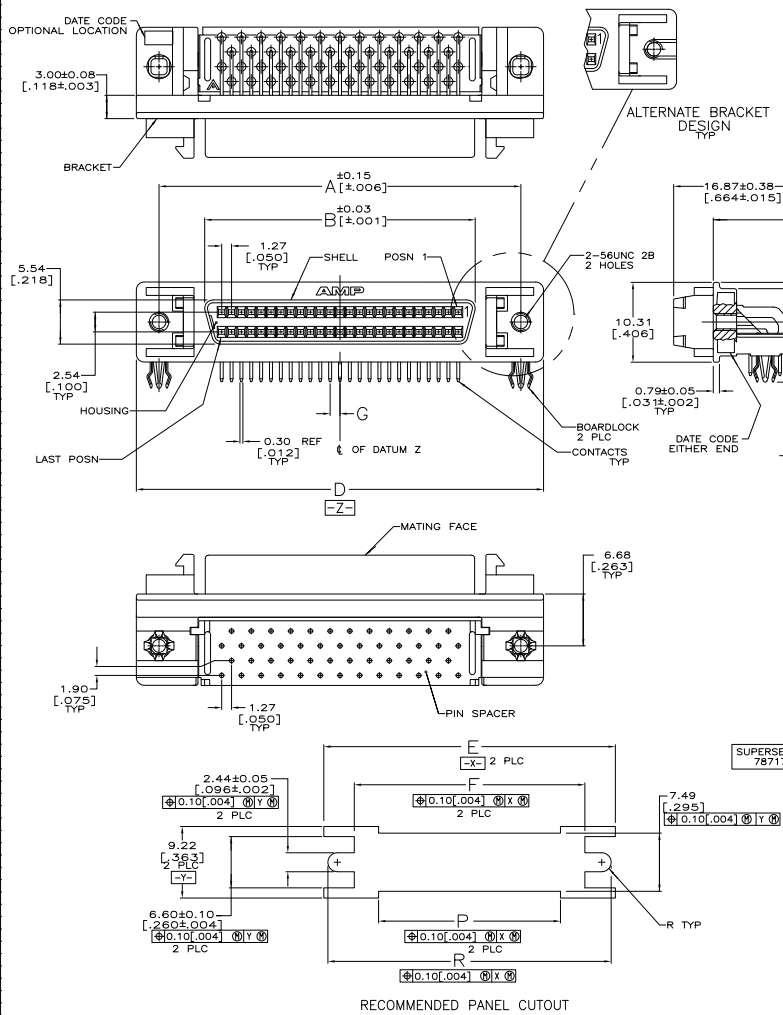


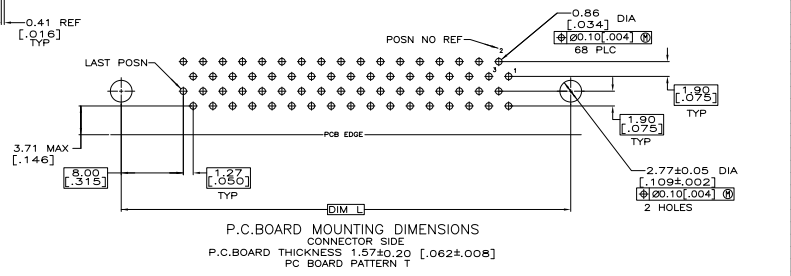
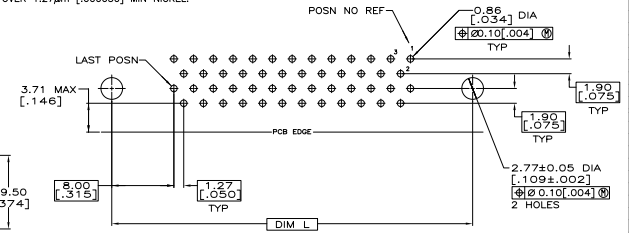
REV	DATE	DESCRIPTION	BY	CHK	APP
00					
01		REVISED PER EDD-11-004835			



MATERIAL
CONTACTS: PHOSPHOR BRONZE
HOUSING & PIN SPACER: UL 94V-0 RATED, THERMOPLASTIC, BLACK
BRACKET: ZINC
SHELL: CARBON STEEL
BOARDLOCKS: COPPER ALLOY.

FINISH
CONTACTS: EITHER 0.76µm [.000030] MIN GOLD PLATE FOR A LENGTH OF 0.64 [.025] MAX, 0.13 [.005] MIN FROM MATING END OR GOLD FLASH OVER PALLADIUM NICKEL PLATE, 0.76µm [.000030] MIN TOTAL FOR A LENGTH OF 0.64 [.025] MAX, 0.13 [.005] MIN FROM MATING END. 3.81µm [.000150] MIN TIN-LEAD ON OPPOSITE END FOR A LENGTH OF 2.72 [.107] MIN, BOTH OVER 1.27µm [.000050] MIN NICKEL.
SHELL: 5.08µm [.000200] MIN NICKEL OVER 1.27µm [.000050] MIN COPPER.
BRACKET: 2.54µm [.000100] MIN NICKEL OVER 5.08µm [.000200] COPPER.

5.08µm [.000200] MIN TIN-LEAD OVER 1.27µm [.000050] MIN NICKEL.
3.00µm [.000118] MIN TIN OVER 1.27µm [.000050] MIN NICKEL.



SUPERSEDED BY 787171-5

TUBE	TRAY	TUBE	TUBE	TUBE	TUBE	TUBE	TUBE	TUBE	TUBE	PACKAGING	BOARDLOCK FINISH	PC BOARD PATTERN	R	P	L	G	F	E	D	B	A	NO OF POS	PART NUMBER
60.35	47.85	57.91	0.64	54.23	61.98	63.88	46.13	57.91	68	1-787171-6													
[2.376]	[1.884]	[2.280]	[.025]	[2.135]	[2.440]	[2.515]	[1.816]	[2.280]	50	1-787171-5													
80.67	68.17	78.23	0.64	74.55	82.30	84.20	66.45	78.23	100	787171-9													
[3.176]	[2.684]	[3.080]	[.025]	[2.935]	[3.240]	[3.315]	[2.616]	[3.080]	68	787171-7													
60.35	47.85	57.91	0.64	54.23	61.98	63.88	46.13	57.91	68	787171-7													
[2.376]	[1.884]	[2.280]	[.025]	[2.135]	[2.440]	[2.515]	[1.816]	[2.280]	50	787171-5													
48.92	36.42	46.48	1.27	42.80	50.55	52.45	34.70	46.48	40	787171-4													
[1.926]	[1.434]	[1.834]	[.050]	[1.685]	[1.990]	[2.065]	[1.366]	[1.830]	26	787171-2													
[3.176]	[2.684]	[3.080]	[.025]	[2.935]	[3.240]	[3.315]	[2.616]	[3.080]															

THIS DRAWING IS A CONTROLLED DOCUMENT. © 2011

TE Connectivity

RECEPTACLE ASSEMBLY, SHIELDED, RIGHT ANGLE, RAILED, TH

114-40029

108-1228

114-40029

AI00779

787171

4.1