

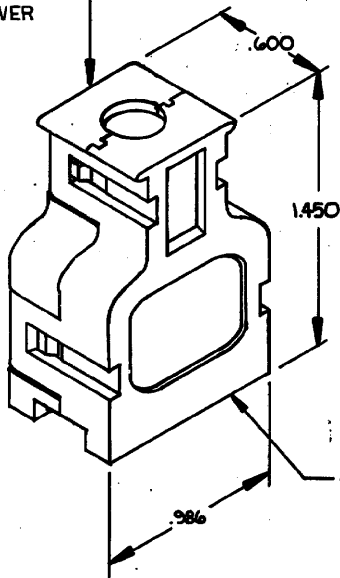
THIS DRAWING IS UNPUBLISHED. RELEASED FOR PUBLICATION 19

© COPYRIGHT 19 BY AMP INCORPORATED, HARRISBURG, PA. ALL INTERNATIONAL RIGHTS RESERVED. AMP PRODUCTS MAY BE COVERED BY U.S. AND FOREIGN PATENTS AND/OR PATENTS PENDING.

LOC AA DIST 20

| REVISIONS | | | | | | |
|-----------|---|------|-----|---------------------|----------|----------|
| P | F | ZONE | CTR | DESCRIPTION | DATE | APPROVED |
| E | | | | REV PER ECN AA-4373 | 04/01/83 | Am |

TONGUE SIDE
180° COVER



GROOVE SIDE
180° COVER

1. ALL DIMENSIONS SHOWN ARE FOR REFERENCE ONLY UNLESS OTHERWISE SPECIFIED.
2. COVERS SHIPPED NOT ASSEMBLED.
3. 100 KITS BULK PACKED.

| | | | | |
|-------------|-------|-------------|-------------|------------|
| .265 - .310 | | 2-552078-1 | 2-552077-1 | 2-552079-1 |
| .220 - .265 | BLACK | 1-552078-1 | 1-552077-1 | 1-552079-1 |
| .175 - .220 | | 552078-1 | 552077-1 | 552079-1 |
| CABLE RANGE | COLOR | GROOVE SIDE | TONGUE SIDE | KIT |
| DIAMETER | | PART NO. | PART NO. | PART NO. |

| | | | | |
|--|--------------------------------|--|----------------------|--------------------------|
| UNLESS OTHERWISE SPECIFIED DIMENSIONS ARE IN INCHES. TOLERANCES ON: DECIMALS ± ANGLES ± | CONTRACT NO | AMP AMP INCORPORATED Harrisburg, Pa. | | |
| | DR <i>Phil Collins</i> 5/6/83 | | | |
| MATERIAL | CHK <i>Stephen Doss</i> 5/9/83 | NAME COVER KIT, 180°, 14 POSITION, CHAMP® | | |
| FINISH | APPR <i>E. Mann</i> 5/24/83 | SIZE B | PSCM NO 00779 | DRAWING NO 552079 |
| | ASGN APPD | SCALE 2:1 | SHEET 1 OF 1 | |
| | OTHER APPD | | | |

1779-15 REV 2-81

CUSTOMER DRAWING