

Specification Status: Released

Electrical Rating

Voltage: 60V MAX
Current: 40A MAX

Insulating Material:
Cured, Flame Retardant Epoxy Polymer

Lead Material:
24 AWG Tin Plated Copper

Marking:

- Manufacturer's Mark and Voltage
- ⊗ 60
- KF050 — Part Identification
- □ □ □ — Lot Identification (can be on back)

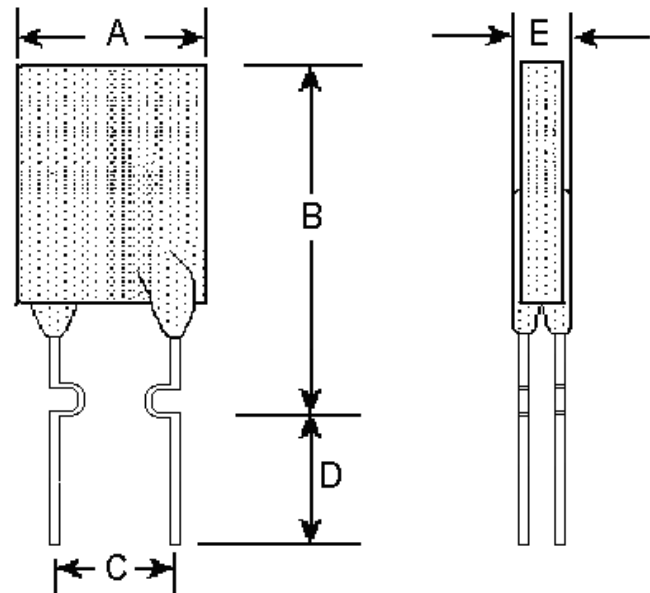


TABLE I. DIMENSIONS:

	A		B		C		D		E	
	MIN	MAX	MIN	MAX	MIN	MAX	MIN	MAX	MIN	MAX
mm:	---	7.1	---	11.43	4.32	5.84	7.6	---	---	3.56
in*:	---	(0.28)	---	(0.45)	(0.17)	(0.23)	(0.3)	---	---	(0.14)

*Rounded off approximation

TABLE II. PERFORMANCE RATINGS:

I HOLD RATED CURRENT	CURRENT RATINGS		INITIAL RESISTANCE VALUES		TIME TO TRIP	ONE HOUR POST-TRIP RESISTANCE STANDARD TRIP	TRIPPED-STATE POWER DISSIPATION
	AMPERES AT 20°C HOLD	AMPERES AT 20°C HOLD TRIP	OHMS AT 20°C MIN MAX		SECONDS AT 20°C, 8 A MAX	OHMS AT 20°C MAX	WATTS AT 20°C NOMINAL
0.50	0.50	1.0	0.32	0.529	0.8	0.90	1.0

Agency Recognitions:
Reference Documents:
Precedence:
Effectivity:
CAUTION:

UL, TUV, CSA
PS300
This specification takes precedence over documents referenced herein.
Reference documents shall be the issue in effect on the date of invitation for bid.
Operation beyond the rated voltage or current may result in rupture, electrical arcing or flame.

Materials Information

ROHS Compliant

ELV Compliant

Pb-Free

Directive 2002/95/EC Compliant

Directive 2000/53/EC Compliant

