

Specification Status: Released

Maximum Electrical Rating

Operating Voltage : 6Vdc
Interrupt Current : 50A

Leads: Nickel 1/2H
0.1mm nominal thickness

Solder: Lead-free

Tape: None

Marking: None

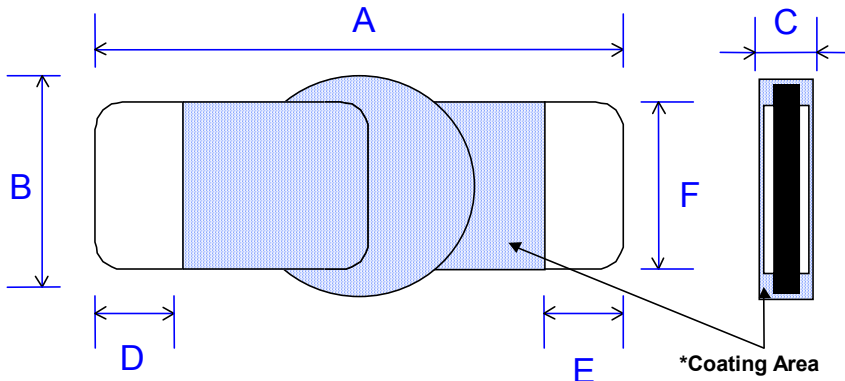


TABLE I. DIMENSIONS:

	A		B		C		D		E		F	
	MIN	MAX	MIN	MAX	MIN	MAX	MIN	MAX	MIN	MAX	MIN	MAX
mm:	9.2	10.8	2.96	3.26	0.7	1.1	1.6	3.1	1.6	3.1	2.2	2.4
in*:	(0.36)	(0.43)	(0.01)	(0.13)	(0.03)	(0.04)	(0.06)	(0.12)	(0.06)	(0.12)	(0.09)	(0.09)

*Rounded off approximation

TABLE II. PERFORMANCE RATINGS: As measured in TE Raychem K.K. original plug.

I HOLD	CURRENT TRIP LIMITS						TIME TO TRIP		REFERENCE RESISTANCE		ONE-HOUR POST-TRIP RESISTANCE		TRIPPED-STATE POWER DISSIPATION
	AMPS 25°C HOLD		AMPS AT 0°C HOLD TRIP		AMPS AT 25°C HOLD TRIP		AMPS AT 60°C HOLD TRIP		SECONDS AT 25°C, 9.5A MIN MAX		mOHMS AT 25°C MIN MAX		
1.9	2.6	6.8	1.9	4.9	0.85	2.2	-	2.0	7	15	7	24	1.0

Agency Recognitions:
Reference Documents:
Precedence:
Effectivity:
CAUTION:

UL, CSA, TUV
PS300
This specification takes precedence over documents referenced herein.
Reference documents shall be the issue in effect on the date of invitation for bid.
Operation beyond the rated voltage or current may result in rupture, electrical arcing or flame.
Open or high resistance mode failure within rating voltage.
Damage to coating may result in electrical performance outside specified ratings.

Materials Information:

ROHS Compliant

Directive 2002/95/EC
Compliant

ELV Compliant

Directive 2000/53/EC
Compliant

Pb-Free

