

4

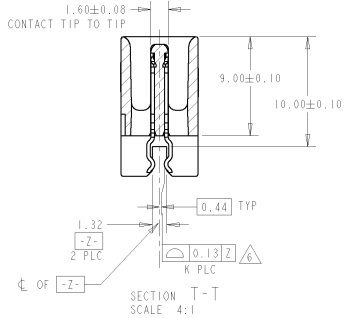
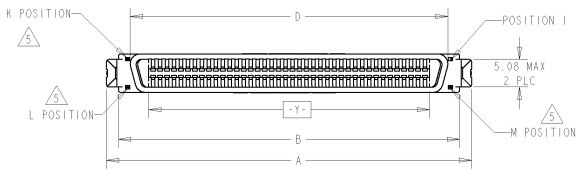
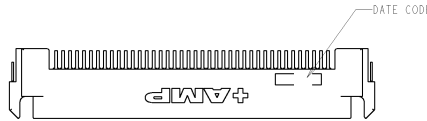
3

2

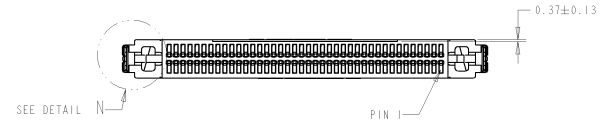
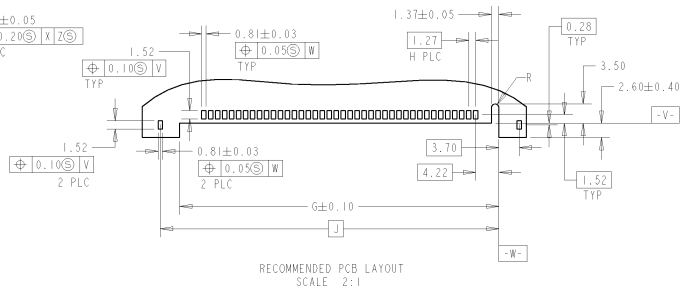
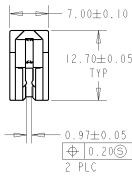
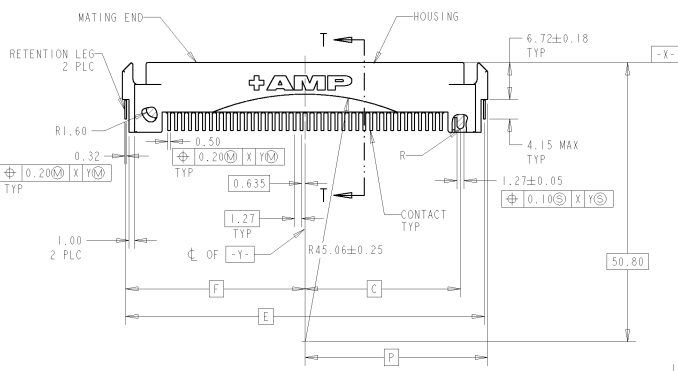
1

THIS DRAWING IS UNPUBLISHED. RELEASED FOR PUBLICATION BY AMP INCORPORATED. ALL RIGHTS RESERVED. (C) COPYRIGHT 14

REVOLUTIONS		DATE	BY	APP'D
TR	DESCRIPTION			
0	NPR FP00-8349-04	19JAN83	LWY	VT



- △ HOUSING: LCP, UL 94V-0 RATED, BLACK
- CONTACTS: PHOSPHOR BRONZE
- RETENTION LEGS: BRASS
- △ 0.16um MIN GOLD FOR A LENGTH 2.00 STARTING 1.00 MAX FROM MATING END, 3.81um MIN TIN FOR A LENGTH OF 3.43 MIN FROM OPPOSITE END, BOTH OVER 1.27-2.54um MIN NICKEL
- △ 3.81 um MIN TIN OVER 1.27-2.54um MIN NICKEL
- 4. RECOMMENDED PCB THICKNESS: 1.14±0.13mm
- △ K, L AND M INDICATES NUMBER OF TERMINAL POSITIONS.
- △ 6. TOLERANCE APPLIES AT CONTACT MATING SURFACE.



TRAY	33.25	41	80	40	61.67	39	58.17	32.680	65.36	57.87	28.30	62.15	66.50	80	5084505-3
TUBE	20.55	21	40	20	36.27	19	32.77	19.975	39.95	32.47	15.60	36.75	41.10	40	5084505-2
TUBE	33.25	41	80	40	61.67	39	58.17	32.680	65.36	57.87	28.30	62.15	66.50	80	5084505-1

PACKAGING	P	M	L	K	J	H	G	F	E	D	C	B	A	POS.	PART NO.
DIMENSIONS: mm TOLERANCES UNLESS OTHERWISE SPECIFIED: P PLC ±0.15 H PLC ±0.15 J PLC ±0.15 F PL ±0.15 ANGLES ° ±0.5 MATERIAL △ FINISH △ 3															
DWG: RILEE 19JAN83 APP'D: VINCENT TAN PRODUCT SPEC: SF-1 FONG APPLICATION SPEC: 108-1548 WEIGHT: 114-6061 CUSTOMER DRAWING															
tyco Electronics Singapore Pte. Ltd. PLUG ASSY, STRADDLE MOUNT WITH RADIUS, CHAMP BLINDMATE .050 SERIES I SIZE: A2 CASE CODE: 00779 DRAWING NO: 5084505 SCALE: 2:1 SHEET 1 OF 1 REV 0															