

**Specification Status: Released**

**Maximum Electrical Ratings**

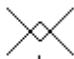

Operating Voltage / Interrupt Current

**60V<sub>DC</sub> / 10A**

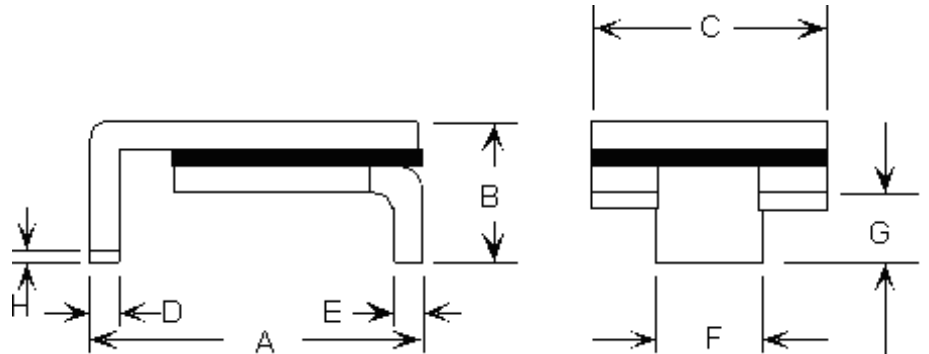
**12V<sub>DC</sub> / 60A**

**5V<sub>DC</sub> / 125A**

Marking:

 **030F** - Part Identification  
 **Manufacturer's Mark**

 **Lot Identification**



Notes:

1. All metal surfaces are tin plated.
2. Devices cannot be wave soldered.
3. Drawing not to scale.

**TABLE I. DIMENSIONS:**

	A		B		C		D		E		F		G		H
	MIN	MAX	MIN	MAX	MIN	MAX	MIN	MAX	MIN	MAX	MIN	MAX	MIN	MAX	MIN
mm:	6.73	7.98	--	3.18	4.8	5.44	0.56	0.71	0.56	0.71	2.16	2.41	0.66	1.37	0.43
in*:	(0.265)	(0.314)	--	(0.125)	(0.19)	(0.214)	(0.022)	(0.028)	(0.022)	(0.028)	(0.085)	(0.095)	(0.026)	(0.054)	(0.017)

**TABLE II. PERFORMANCE RATINGS:**

CURRENT RATINGS**						TIME TO TRIP**	RESISTANCE VALUES	TRIPPED-STATE POWER DISSIPATION**	
AMPS AT 0°C		AMPS AT 20°C		AMPS AT 60°C		SECONDS AT 25°C, 1.15A MAX	OHMS AT 25°C	WATTS AT 25°C TYP.	
HOLD	TRIP	HOLD	TRIP	HOLD	TRIP		MIN	MAX*	
0.27	0.69	0.23	0.59	0.15	0.38	12	0.98	4.8	1.1

\* Maximum resistance is measured 1 hour after reflow.

\*\* Values specified were determined using PCB's with 0.120"X2.0 ounce copper traces.

Reference Documents:

PS300, PS400

Precedence:

This specification takes precedence over documents referenced herein.

Effectivity:

Reference documents shall be the issue in effect on the date of invitation for bid.

CAUTION:

Operation beyond the rated voltage or current may result in rupture, electrical arcing or flame.

**Materials Information**

**ROHS Compliant**

**ELV Compliant**

**Pb-Free**

**Halogen Free\***

Directive 2002/95/EC  
Compliant

Directive 2000/53/EC  
Compliant



\* Halogen Free refers to: Br≤900ppm, Cl≤900ppm, Br+Cl≤1500ppm