

4

3

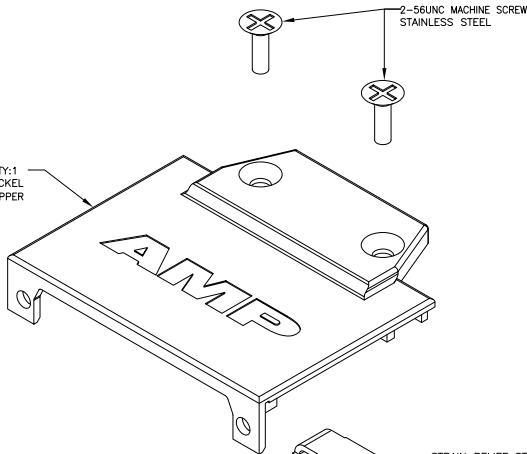
2

1

THIS DRAWING IS UNPUBLISHED. RELEASED FOR PUBLICATION
 © COPYRIGHT 19- BY TYCO ELECTRONICS CORPORATION. ALL RIGHTS RESERVED.

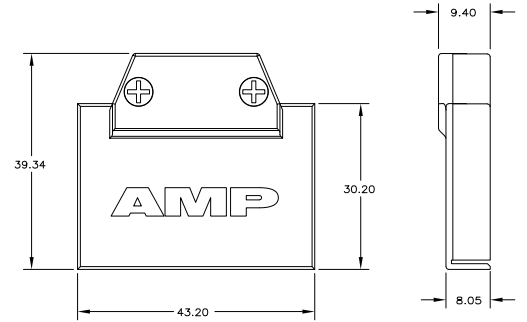
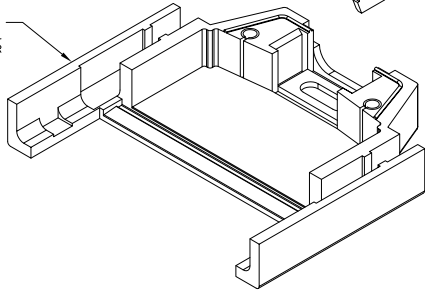
LOC	DIST	REVISIONS			
F	LWR	DESCRIPTION	DATE	BY	APPD
GP	00	A	REVISED PER ECO-08-008770	01AUG2008	EDB/EDB

UPPER BACKSHELL, QTY:1
 ZINC, 2.54µm MIN NICKEL
 OVER 5.08 µm MIN COPPER



STRAIN RELIEF STAPLE
 CARBON STEEL, 1.27µm MIN BRIGHT TIN
 OVER 1.27 µm MIN NICKEL

LOWER BACKSHELL, QTY:1
 ZINC, 2.54µm MIN NICKEL
 OVER 5.08 µm MIN COPPER



ASSEMBLED BACKSHELL KIT
 SCALE 2:1

5788362-1
 PART
 NUMBER

**COPYRIGHT 2005
 TYCO ELECTRONICS CORP
 ALL RIGHTS RESERVED**

THIS DRAWING IS A CONTROLLED DOCUMENT.		DRN J. ALCORTA 08-01-05	Tyco Electronics Corporation	
DIMENSIONS: mm		CHK S. SHUEY 08-01-05	Harrisburg, Pa 17105-3608	
TOLERANCES UNLESS OTHERWISE SPECIFIED:		APPD M. WALKMSLEY 08-01-05	NAME	
0 PLC ± -	1 PLC ± -	PRODUCT SPEC		
2 PLC ± 0.13	3 PLC ± -	APPLICATION SPEC		
4 PLC ± -	ANGLES ± -	WEIGHT		
FINISH		SIZE CAGE CODE DRAWING NO		
SEE CALLOUTS		A2 00779 C-5788362		
		CUSTOMER DRAWING		
		RESTRICTED TO		
		SCALE 3:1 SHEET 1 OF 1 REV A		

AMP 1471-9 REV 31MAR2000

5788362

A

A