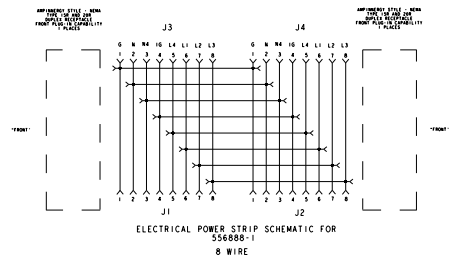
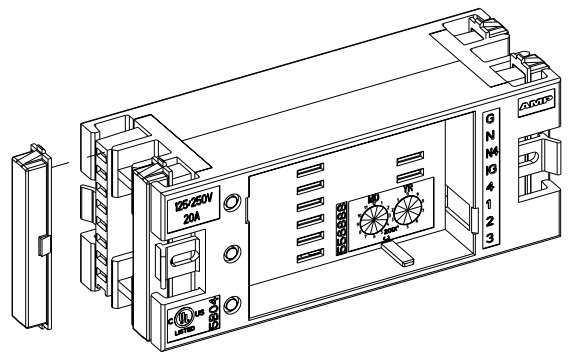
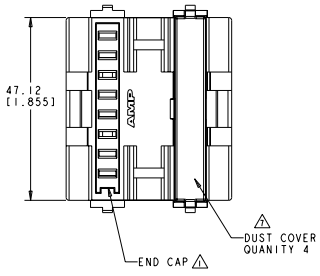
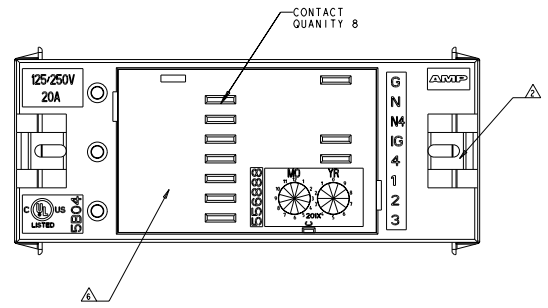
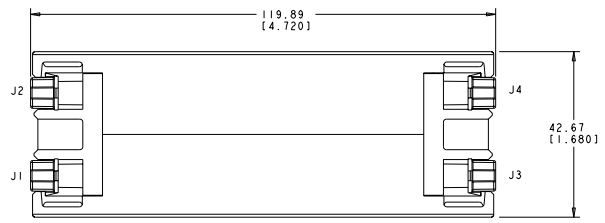


REV	DATE	DESCRIPTION	BY	CHK	APPV
B	PER ECO-06-027294		15062004	LNS	FL
C	REV ECO-12-000435		15062012	LN	SJ



- △ END CAP MATES WITH SHARED NEUTRAL 8-WIRE POWER CONNECTOR CABLE ASSEMBLY. KEYING FEATURE MAINTAINS CORRECT POLARITY OF MATING POWER CONNECTORS.
- △ POSITIVE LATCHING TO POWER CONNECTOR.
- △ MATERIAL: HOUSING - JUNCTION BOX HOUSING AND END CAP: POLYCARBONATE, UL94V-0 CLASSIFICATION
 JUNCTION BOX CONTACTS - COPPER ALLOY, SELECTIVELY TIN PLATED AND SILVER PLATED .00508 (1.00200) MINIMUM THICKNESS.
 END CAP DUST COVERS - NYLON 6/6.
- △ ALL DIMENSIONS ARE NOMINAL UNLESS OTHERWISE SPECIFIED.
- 5. RATING: 125/250VAC, 20A (PER LINE).
- △ THIS AREA OF THE JUNCTION BOX MATES WITH AMPINERGY SHARED NEUTRAL 8-WIRE DUPLEX RECEPTACLES, KEYING FEATURE MAINTAINS CORRECT POLARITY OF MATING DUPLEX RECEPTACLES.
- △ REMOVE DUST COVERS TO CONNECT POWER CONNECTION(S). REPLACE DUST COVER WHEN END CAP CONNECTION IS NOT IN USE.
- 8. APPLICATION:
 AMPINERGY MODULAR POWER DISTRIBUTION SYSTEM, A MANUFACTURED WIRING SYSTEM.
 IN LINE OR END OF LINE JUNCTION BOX ASSEMBLY THAT ACCEPTS UP TO TWO 15A OR 15/20A SHARED NEUTRAL 8-WIRE DUPLEX RECEPTACLES OF THE SAME OR DIFFERENT LINE DESIGNATIONS.
 DIFFERENT LINE RECEPTACLES CAN BE USED IN THE SAME JUNCTION BOX ASSEMBLY TO BALANCE LOADS.
 JUNCTION BOX ASSEMBLY IS DESIGNED TO SPLIT A BRANCH CIRCUIT IN THREE DIRECTIONS.

556888-1
PART NUMBER

THIS DRAWING IS A CONTROLLED DOCUMENT.		REV	DATE	15062004
DRAWING NO.	556888-1	REV	DATE	15062007
SCALE	1:1	REV	DATE	15062007
MATERIAL		REV	DATE	15062007
PROPERTY		REV	DATE	15062007
APPROVAL		REV	DATE	15062007
DATE		REV	DATE	15062007
DRAWN BY		REV	DATE	15062007
CHECKED BY		REV	DATE	15062007
APPROVED BY		REV	DATE	15062007
CUSTOMER DRAWING		REV	DATE	15062007