

4

3

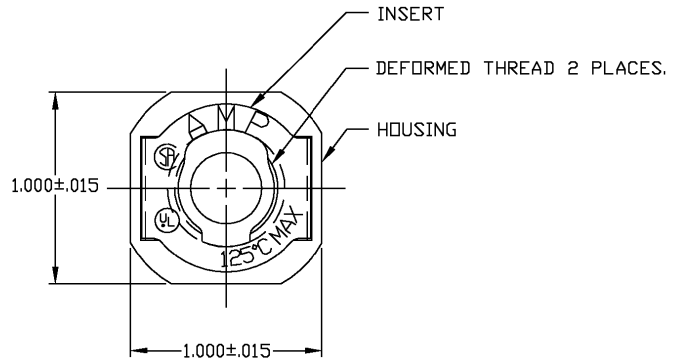
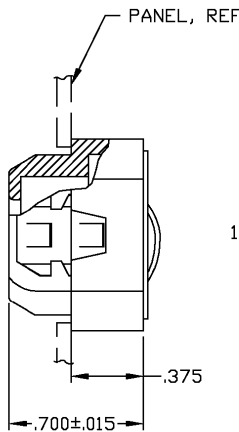
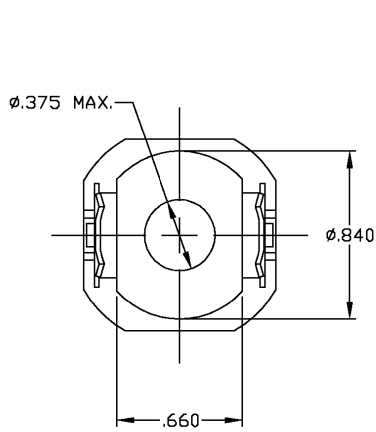
2

1

THIS DRAWING IS UNPUBLISHED. RELEASED FOR PUBLICATION .19 .
 © COPYRIGHT 19 BY AMP INCORPORATED. ALL RIGHTS RESERVED.

LDC		DIST		REVISIONS			
P	LTR	DESCRIPTION	DATE	DWN	APVD		
AA	27	G	REDWN & REV ECN 0B40-0141-00	23APR00	LMH	LHS	

1. FITS STANDARD 1/2" KNOCKOUT .875 ^{+0.031} _{-.015}
2. FITS PANEL THICKNESS .032 TO .091.
3. MATERIAL: HOUSING - NYLON, BLACK.
INSERT - .025 THK STEEL, ZINC PLATED.



207370-1
PART NUMBER

THIS DRAWING IS A CONTROLLED DOCUMENT.		DWN L. HALL	06APR00	AMP Incorporated Harrisburg, PA 17105-3608		
DIMENSIONS: INCHES		CHK L.H. SMITH	23JUN00			
TOLERANCES UNLESS OTHERWISE SPECIFIED: 0 PLC ± 1 PLC ± 2 PLC ± 3 PLC ±.005 4 PLC ± ± ANGLES ± ±		APVD F. LINCOLN	23JUN00			
MATERIAL		NAME	PRODUCT SPEC			
MATERIAL $\triangle 3$ FINISH $\triangle 3$		APPLICATION SPEC	RESTRICTED TO			
		WEIGHT	SIZE	CAGE CODE	DRAWING NO	RESTRICTED TO
		CUSTOMER DRAWING	A3	00779	©=207370	
			SCALE	1:1	SHEET	1 OF 1
						REV G