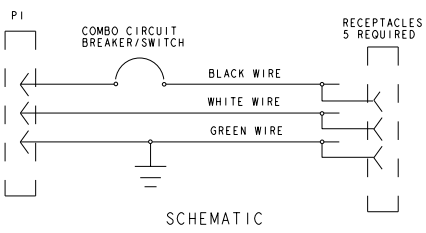
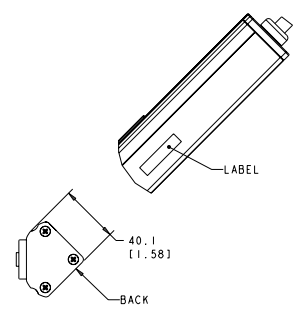
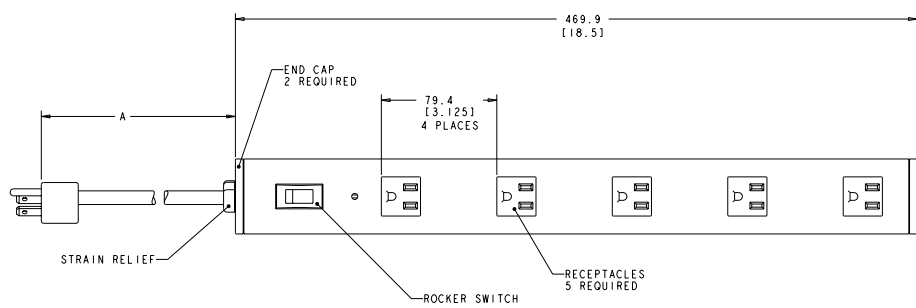
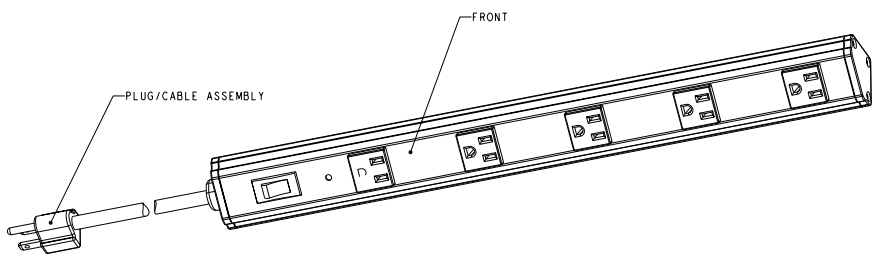


REV. NO.		REVISIONS			
REV.	NO.	DATE	BY	CHKD.	APP.
A	00				
B					
C					
D					

- △ MATERIAL:
 HOUSING - CLEAR ANODIZED ALUMINUM.
 END CAPS - ABS PLASTIC, BLACK.
 PLUG - NEMA 5-15P, TIN-PLATED COPPER ALLOY
 TERMINALS: PVC INSULATED, GRAY.
 CORD - 14/3 SJTOW, GRAY, WITH NYLON STRAIN RELIEF.
 RECEPTACLES - NEMA 5-15R, TIN-PLATED COPPER
 ALLOY TERMINALS, NYLON HOUSINGS, BLACK.
 INTERNAL WIRING - TYPE THHN WIRE.
 HARDWARE - ZINC-PLATED STEEL.
 DUAL LOCK MOUNTING FASTENERS - NYLON.
- △ DIMENSIONS ARE NOMINAL UNLESS OTHERWISE SPECIFIED.
3. UL LISTED AS A RELOCATABLE POWER TAP, XBYS, UL FILE NUMBER E135168.
4. RATED: 125V, 15A.



7620.0 [300.00]	1479544-3
1828.8 [72.00]	1479544-1
DIM A	PART NUMBER

DATE: 27AUG03	DATE: 27AUG03	DATE: 27AUG03	DATE: 27AUG03
BY: J. LINCOLN	BY: J. LINCOLN	BY: J. LINCOLN	BY: J. LINCOLN
CHKD: J. LINCOLN	CHKD: J. LINCOLN	CHKD: J. LINCOLN	CHKD: J. LINCOLN
APP'D: J. LINCOLN	APP'D: J. LINCOLN	APP'D: J. LINCOLN	APP'D: J. LINCOLN
STATE: PA	CITY: HARRISBURG	ZIP: 17105-3600	PHONE: 717-631-8859
FAX: 717-631-8859	EMAIL: J. LINCOLN@TECHCORP.COM	WWW: WWW.TECHCORP.COM	ADDRESS: 1000 W. MARKET ST., SUITE 100, HARRISBURG, PA 17105-3600
CUSTOMER DRAWING	STATE: PA	CITY: HARRISBURG	ZIP: 17105-3600
DATE: 27AUG03	BY: J. LINCOLN	CHKD: J. LINCOLN	APP'D: J. LINCOLN