

4

3

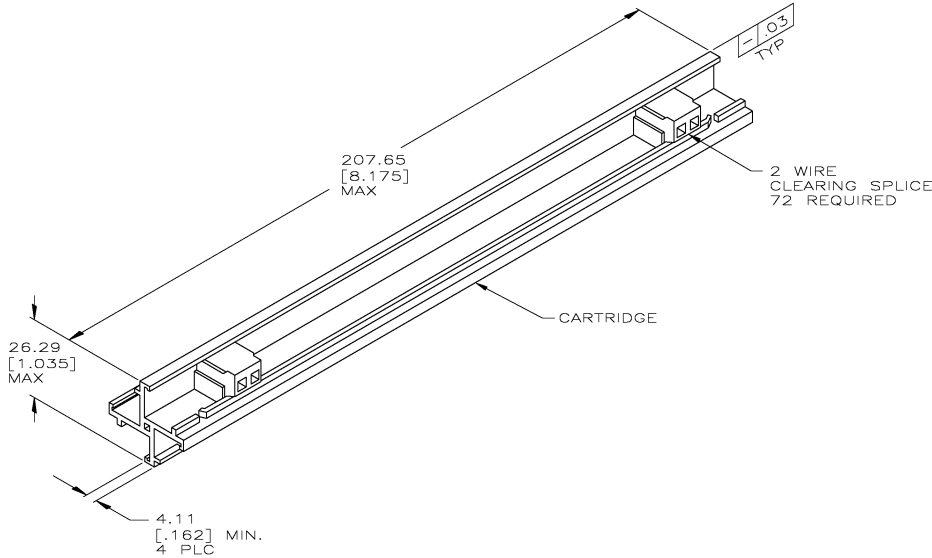
2

1

THIS DRAWING IS UNPUBLISHED. RELEASED FOR PUBLICATION
 © COPYRIGHT BY TYCO ELECTRONICS CORPORATION. ALL RIGHTS RESERVED.

LOC	DIST	REVISIONS			
P	LTR	DESCRIPTION	DATE	BY	APPD
HM	00				
C		REDWN & REV- EC 0340-0033-03	04DEC03	LH	AK

- 1 MATERIAL: CARTRIDGE-RIGID PVC, WHITE.
CLEARING SPLICE-POLYCARBONATE, GREEN.
- 2. WIRE RANGE: 19-26 AWG SOLID COPPER CONDUCTORS.
- 3 TEL-SPLICE ASSEMBLIES WITHOUT SEALANT (UNFILLED) SHALL BE YELLOW.



OBSOLETE	UNFILLED, \triangle	554897-2
	FILLED	554897-1
	DESCRIPTION	PART NO.

THIS DRAWING IS A CONTROLLED DOCUMENT.		DW	L. HALL	04DEC03	 Tyco Electronics Corporation Harrisburg, Pa., 17105-3608																	
DIMENSIONS: mm (INCHES)		DK	A. KINKA	04DEC03																		
TOLERANCES UNLESS OTHERWISE SPECIFIED:		APD	A. KINKA	04DEC03																		
<table border="1"> <tr><td>0 PLC</td><td>±</td><td>-</td></tr> <tr><td>1 PLC</td><td>±</td><td>-</td></tr> <tr><td>2 PLC</td><td>±</td><td>-</td></tr> <tr><td>3 PLC</td><td>±</td><td>-</td></tr> <tr><td>4 PLC</td><td>±</td><td>-</td></tr> <tr><td>ANGLES</td><td>±</td><td>-</td></tr> </table>		0 PLC	±	-		1 PLC	±	-	2 PLC	±	-	3 PLC	±	-	4 PLC	±	-	ANGLES	±	-	NAME	
0 PLC	±	-																				
1 PLC	±	-																				
2 PLC	±	-																				
3 PLC	±	-																				
4 PLC	±	-																				
ANGLES	±	-																				
MATERIAL	- \triangle	APPLICATION SPEC			SEE CASE CODE DRAWING NO																	
FINISH	-	HEIGHT			A2 00779 C-554897																	
		CUSTOMER DRAWING		SCALE	NTS																	
				SHEET	1 OF 1																	
				REV	C																	

AMP 1421-9 REV 31MAR2000

F:\0340-0026-02-ht\552966_1-c.dwg