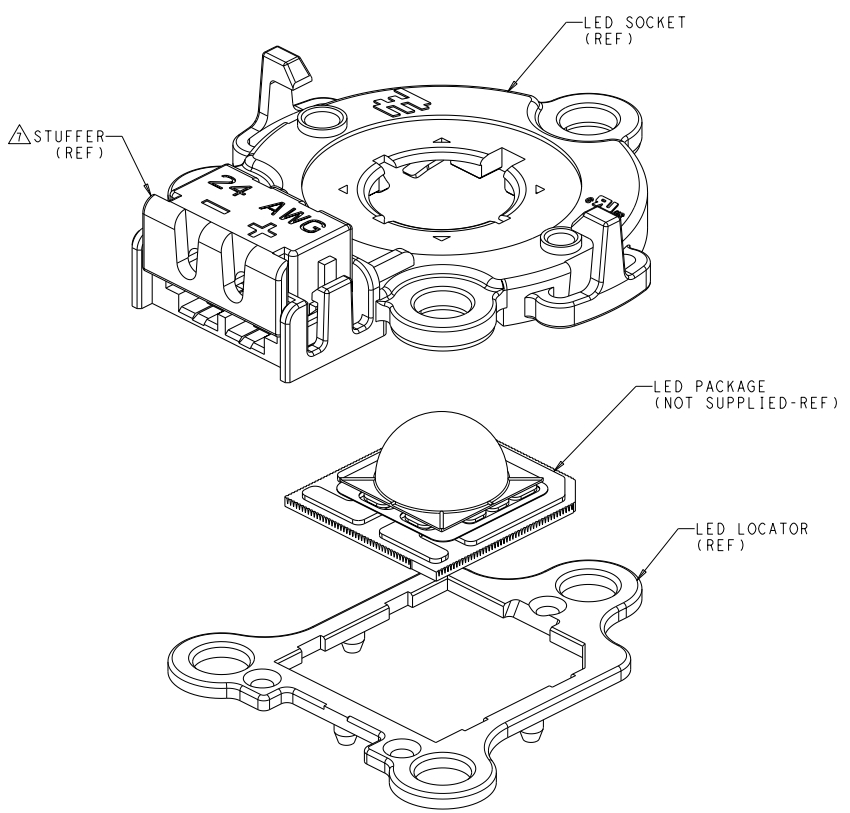


4 3 2 1

THIS DRAWING IS UNPUBLISHED. RELEASED FOR PUBLICATION. COPYRIGHT 20 BY - ALL RIGHTS RESERVED.

REVISONS		DATE	BY	APPV
P	LYA			
4	ADDED NOTE 7	01SEP2011	CD	CD



EXPLODED VIEW WITH LED SHOWN
SCALE 6:1

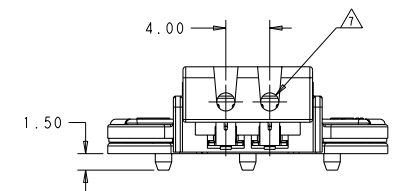
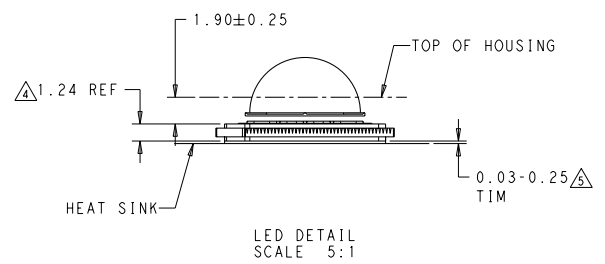
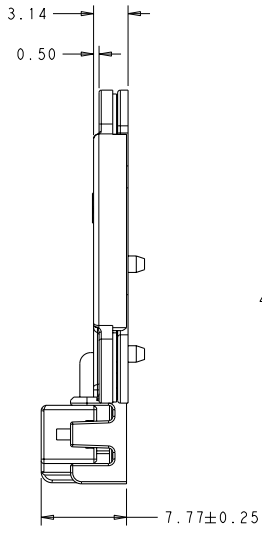
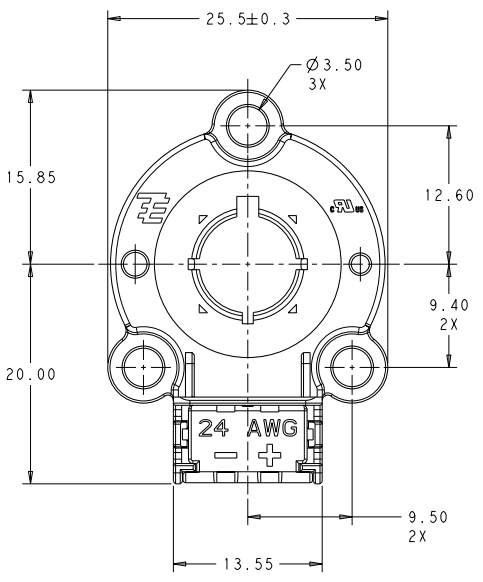
- △ MATERIALS AND FINISH:
- HOUSING: PBT-GF, COLOR: NATURAL
 - LED LOCATOR: PBT-GF, COLOR: NATURAL
 - STUFFER: PBT-GF, COLOR: NATURAL
 - IDC CONTACTS: COPPER ALLOY
 - FINISH: GOLD IN LED INTERFACE WITH TIN OVER NICKEL BALANCE
 - THERMAL SPRING: STAINLESS STEEL
2. MUST COMPLY WITH DIRECTIVE 2002/95/EC (ROHS)
 3. THIS PRODUCT HAS NOT COMPLETED VALIDATION TESTING
- △ REFER TO LUMILEDS LED DATASHEET FOR LED DIMENSIONS
- △ REFER TO LUMILEDS LED DATASHEET FOR RECOMMENDED THERMAL INTERFACE MATERIALS
- △ RECOMMENDED SCREW SIZE: M3 OR #4.
TORQUE SCREWS TO 2.5 in-lbf TO 4.0 in-lbf
- △ SOCKET TO BE USED WITH 24AWG UL1007/1569 INSULATED WIRE. MAX INSULATION O.D. TO BE Ø1.60

SOCKET ASSEMBLY W/ OPTICS LATCH	2154235-2
SOCKET ASSEMBLY W/O OPTICS LATCH	2154235-1
DESCRIPTION	PART NO.

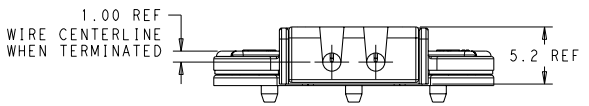
DESIGN APPROVED THIS PRINT IS
PRELIMINARY
TO FIRST PIECE APPROVAL
CONTACT PRODUCT ENGINEERING
BEFORE USING THIS PRINT

THIS DRAWING IS A CONTROLLED DOCUMENT.		DATE	14OCT2010
DRAWN BY		CC	DAILY
CHECKED BY		CC	DAILY
APPROVED BY		CC	DAILY
DRAWING NO.		114-13294	
PRODUCT SPEC		108-2455	
APPLICATION SPEC		114-13294	
MATERIAL			
FINISH			
WEIGHT			
CUSTOMER DRAWING			
SHEET		1	OF 4
SCALE		4:1	
REV		4	

LOC		DIST		REVISIONS			
P	LYR	DESCRIPTION	DATE	BY	APPR		
-	-	SEE SHEET 1	-	-	-	-	-



2154235-1 SHOWN

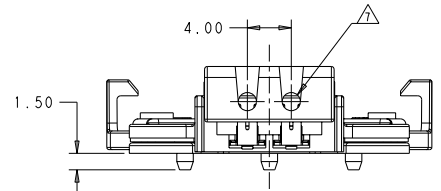
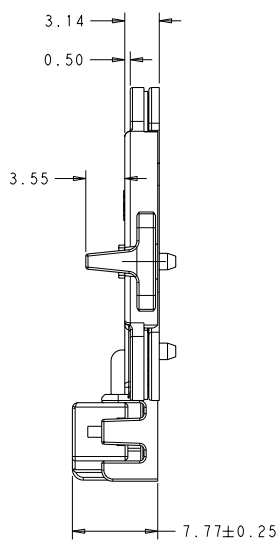
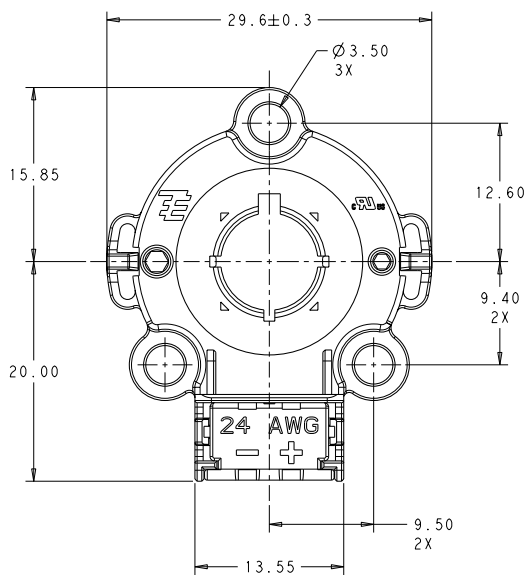


STUFFER CLOSED

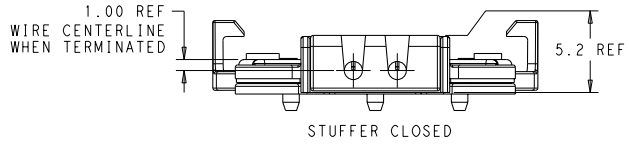
DESIGN APPROVED THIS PRINT IS
PRELIMINARY
 TO FIRST PIECE APPROVAL
 CONTACT PRODUCT ENGINEERING
 BEFORE USING THIS PRINT

THIS DRAWING IS A CONTROLLED DOCUMENT.		OWN C. DAILY	14OCT2010	
DIMENSIONS: mm		CHK R. NARANG	14OCT2010	
MATERIAL: -		APPR		NAME ASSEMBLY, SOLDERLESS LED SOCKET, TYPE LS
0 PLC		PRODUCT SPEC	108-2455	SITE CASE CODE DRAWING NO
1 PLC		APPLICATION SPEC	114-13294	
2 PLC		WEIGHT	A200779	©=2154235
3 PLC		CUSTOMER DRAWING	SCALE 4:1	SHEET 2 OF 4
4 PLC				REV 4

REVISIONS				
P	LY	DESCRIPTION	DATE	BY
-	-	SEE SHEET 1	-	-

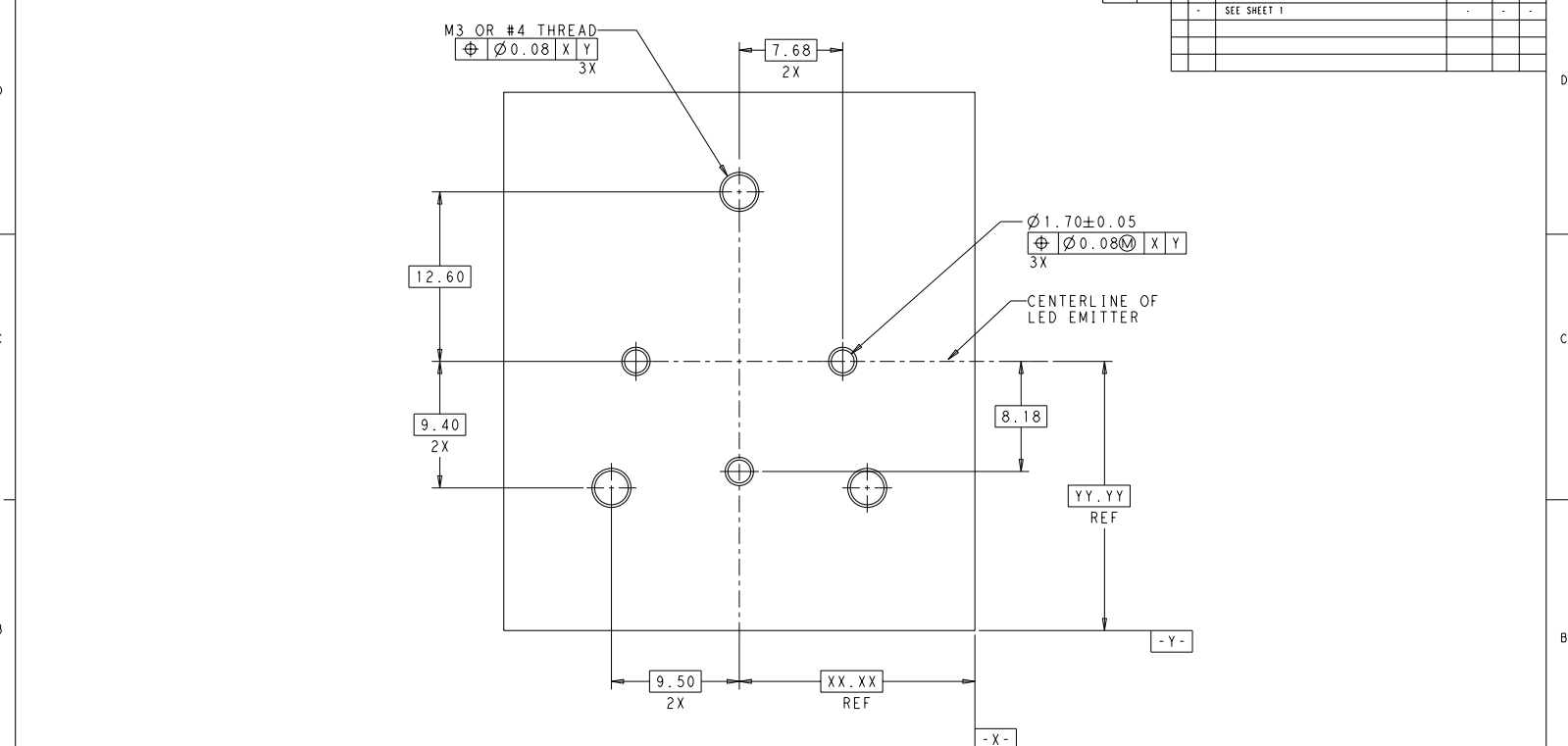


2154235-2 SHOWN



DESIGN APPROVED THIS PRINT IS
PRELIMINARY
 TO FIRST PIECE APPROVAL
 CONTACT PRODUCT ENGINEERING
 BEFORE USING THIS PRINT

THIS DRAWING IS A CONTROLLED DOCUMENT.		OWN C. DAILY 14OCT2010	TE Connectivity
DIMENSIONS: mm		CHK R. NARANG 14OCT2010	
MATERIAL -		PRODUCT SPEC 108-2455	NAME ASSEMBLY, SOLDERLESS LED SOCKET, TYPE LS
FINISH -		APPLICATION SPEC 114-13294	
WEIGHT -		SHEET CASE CODE DRAWING NO A200779 ©-2154235	RESTRICTED TO
CUSTOMER DRAWING		SCALE 4:1	SHEET 3 OF 4 REV 4



HEAT SINK LAYOUT
SCALE 5:1

TYCO ELECTRONICS
CONFIDENTIAL
AND PROPRIETARY

PROPOSED DESIGN
NOT PRODUCTION TOOLED

DESIGN IS SUBJECT TO
CHANGE WITHOUT NOTICE

REVISIONS				
P	LY	DESCRIPTION	DATE	BY
-	-	SEE SHEET 1	-	-

THIS DRAWING IS A CONTROLLED DOCUMENT.		OWN C. DAILY 14OCT2010	
DRAWN BY R. NARANG 14OCT2010		APP'D	
DIMENSIONS: mm		PRODUCT SPEC 108-2455	NAME ASSEMBLY, SOLDERLESS LED SOCKET, TYPE LS
TO DIMENSIONS AND TOLERANCES: 0 PLC ±0.2 1 PLC ±0.15 2 PLC ±0.1 3 PLC ±0.1 4 PLC ±0.1 ANGLES ±0°		APPLICATION SPEC 114-13294	
MATERIAL FINISH		WEIGHT CUSTOMER DRAWING	SIZE CASE CODE DRAWING NO A200779 ©-2154235
		RESTRICTED TO	SCALE 4:1 SHEET 4 OF 4 REV 4

1477-9 (2/11)