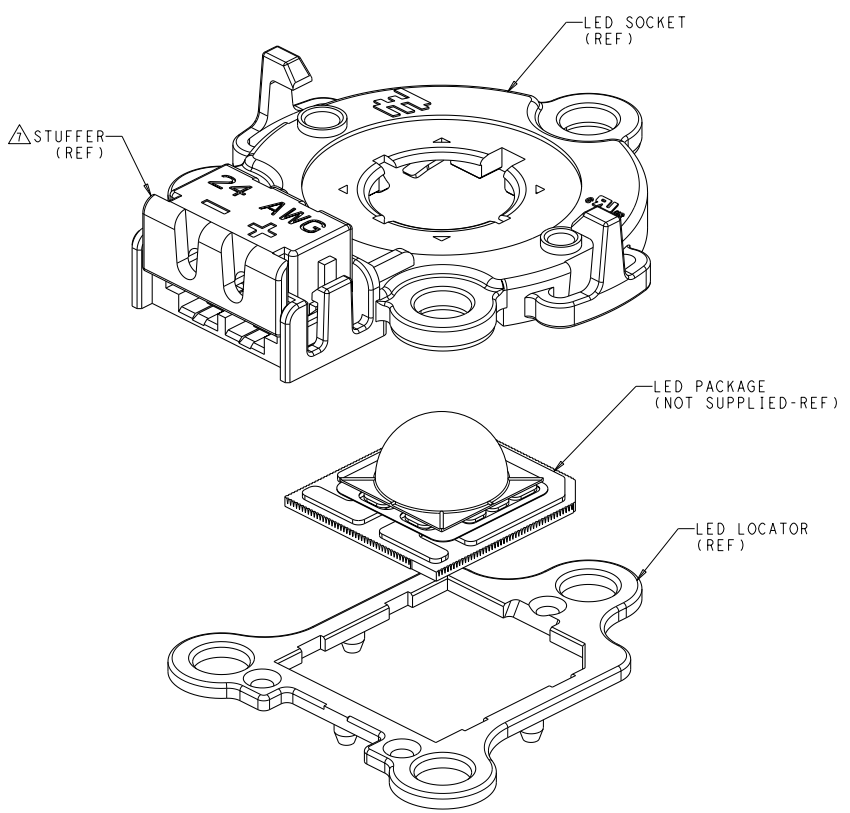


LOC		DISP		REVISIONS			
P	LYA	DESCRIPTION	DATE	BY	APPR	CD	CD
4		ADDED NOTE 7	01SEP2011	CD			



EXPLODED VIEW WITH LED SHOWN
SCALE 6:1

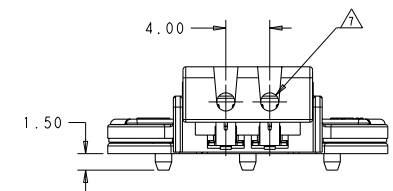
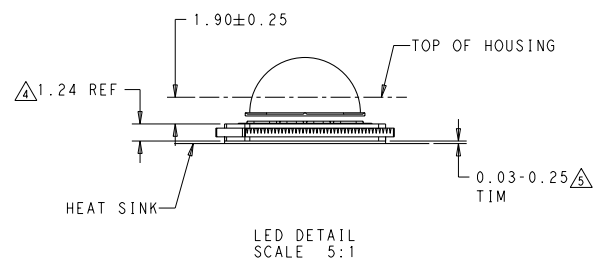
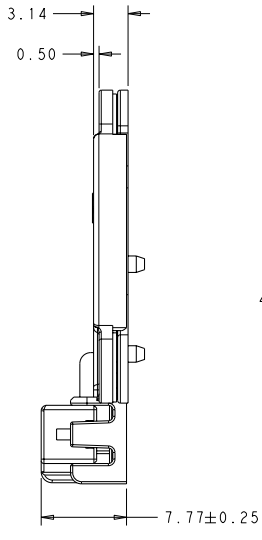
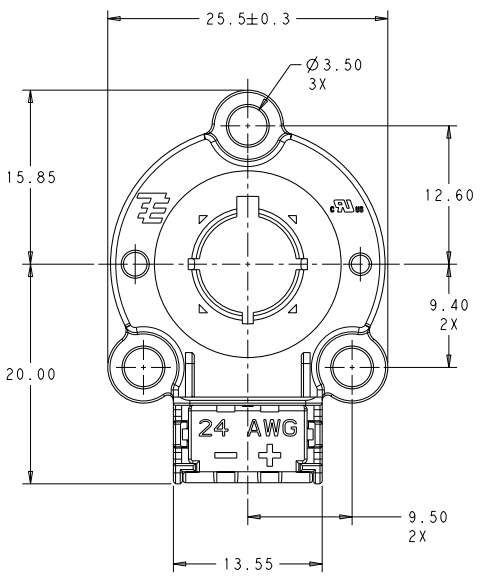
- △ MATERIALS AND FINISH:
- HOUSING: PBT-GF, COLOR: NATURAL
 - LED LOCATOR: PBT-GF, COLOR: NATURAL
 - STUFFER: PBT-GF, COLOR: NATURAL
 - IDC CONTACTS: COPPER ALLOY
 - FINISH: GOLD IN LED INTERFACE WITH TIN OVER NICKEL BALANCE
 - THERMAL SPRING: STAINLESS STEEL
2. MUST COMPLY WITH DIRECTIVE 2002/95/EC (ROHS)
3. THIS PRODUCT HAS NOT COMPLETED VALIDATION TESTING
- △ REFER TO LUMILEDS LED DATASHEET FOR LED DIMENSIONS
- △ REFER TO LUMILEDS LED DATASHEET FOR RECOMMENDED THERMAL INTERFACE MATERIALS
- △ RECOMMENDED SCREW SIZE: M3 OR #4.
TORQUE SCREWS TO 2.5 in-lbf TO 4.0 in-lbf
- △ SOCKET TO BE USED WITH 24AWG UL1007/1569 INSULATED WIRE. MAX INSULATION O.D. TO BE Ø1.60

SOCKET ASSEMBLY W/ OPTICS LATCH	2154235-2
SOCKET ASSEMBLY W/O OPTICS LATCH	2154235-1
DESCRIPTION	PART NO.

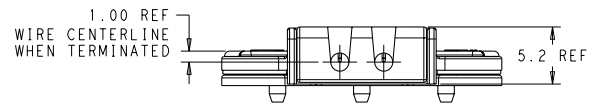
DESIGN APPROVED THIS PRINT IS
PRELIMINARY
TO FIRST PIECE APPROVAL
CONTACT PRODUCT ENGINEERING
BEFORE USING THIS PRINT

THIS DRAWING IS A CONTROLLED DOCUMENT.		DATE	14OCT2010
DRAWN BY		CC	DAILY
CHECKED BY		R	NARANG
DATE		14OCT2010	
DIMENSIONS:		mm	
TOLERANCES UNLESS OTHERWISE SPECIFIED:		mm	
0 PLC	±0.2	PRODUCT SPEC	108-2455
1 PLC	±0.15	APPLICATION SPEC	114-13294
2 PLC	±0.1	WEIGHT	-
3 PLC	±0.075	SHEET	1
4 PLC	±0.05	CASE CODE	A200779
ANGLES	±0°	DRAWING NO	2154235
FINISH	-	RESTRICTED TO	-
MATERIAL	△	CUSTOMER DRAWING	SCALE 4:1 SHEET 1 OF 4 REV 4

LOC		DIST		REVISIONS			
P	LYA	DESCRIPTION	DATE	BY	APVS		
-	-	SEE SHEET 1	-	-	-		



2154235-1 SHOWN



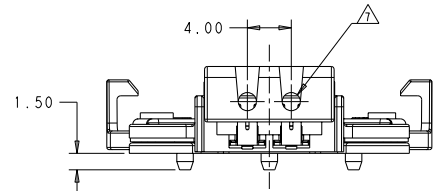
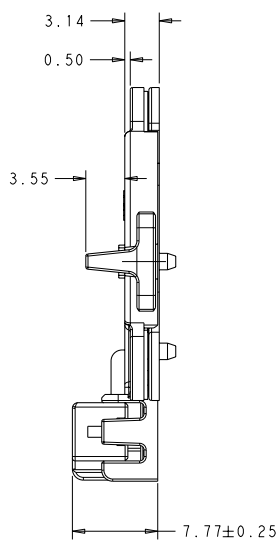
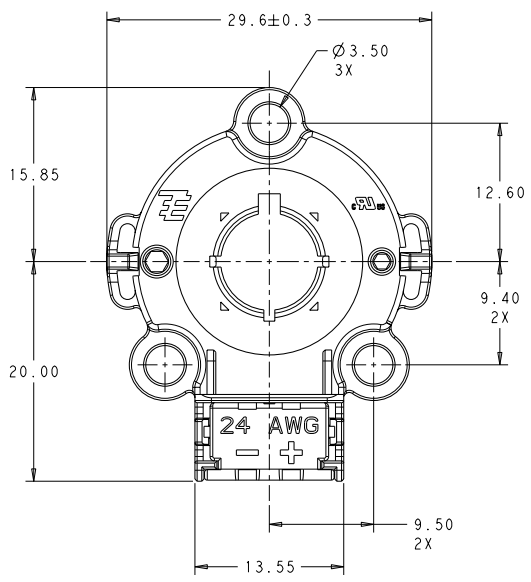
STUFFER CLOSED

DESIGN APPROVED THIS PRINT IS
PRELIMINARY
 TO FIRST PIECE APPROVAL
 CONTACT PRODUCT ENGINEERING
 BEFORE USING THIS PRINT

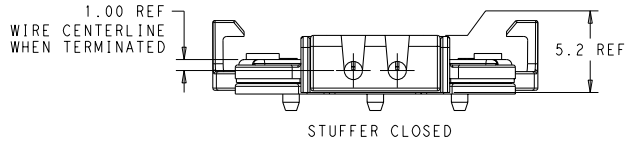
THIS DRAWING IS A CONTROLLED DOCUMENT.		OWN C. DAILY 14OCT2010	TE Connectivity
DIMENSIONS: mm		CHK R. NARANG 14OCT2010	
MATERIAL -		PRODUCT SPEC 108-2455	ASSEMBLY, SOLDERLESS LED SOCKET, TYPE LS
APPROVED		APPLICATION SPEC 114-13294	
WEIGHT -		SHEET CASE CODE DRAWING NO A200779C-2154235	RESTRICTED TO
CUSTOMER DRAWING		SCALE 4:1	SHEET 2 OF 4 REV 4

THIS DRAWING IS UNPUBLISHED. BY - RELEASED FOR PUBLICATION 20 ALL RIGHTS RESERVED. COPYRIGHT 20

REVISIONS				
P	LY	DESCRIPTION	DATE	BY
-	-	SEE SHEET 1	-	-



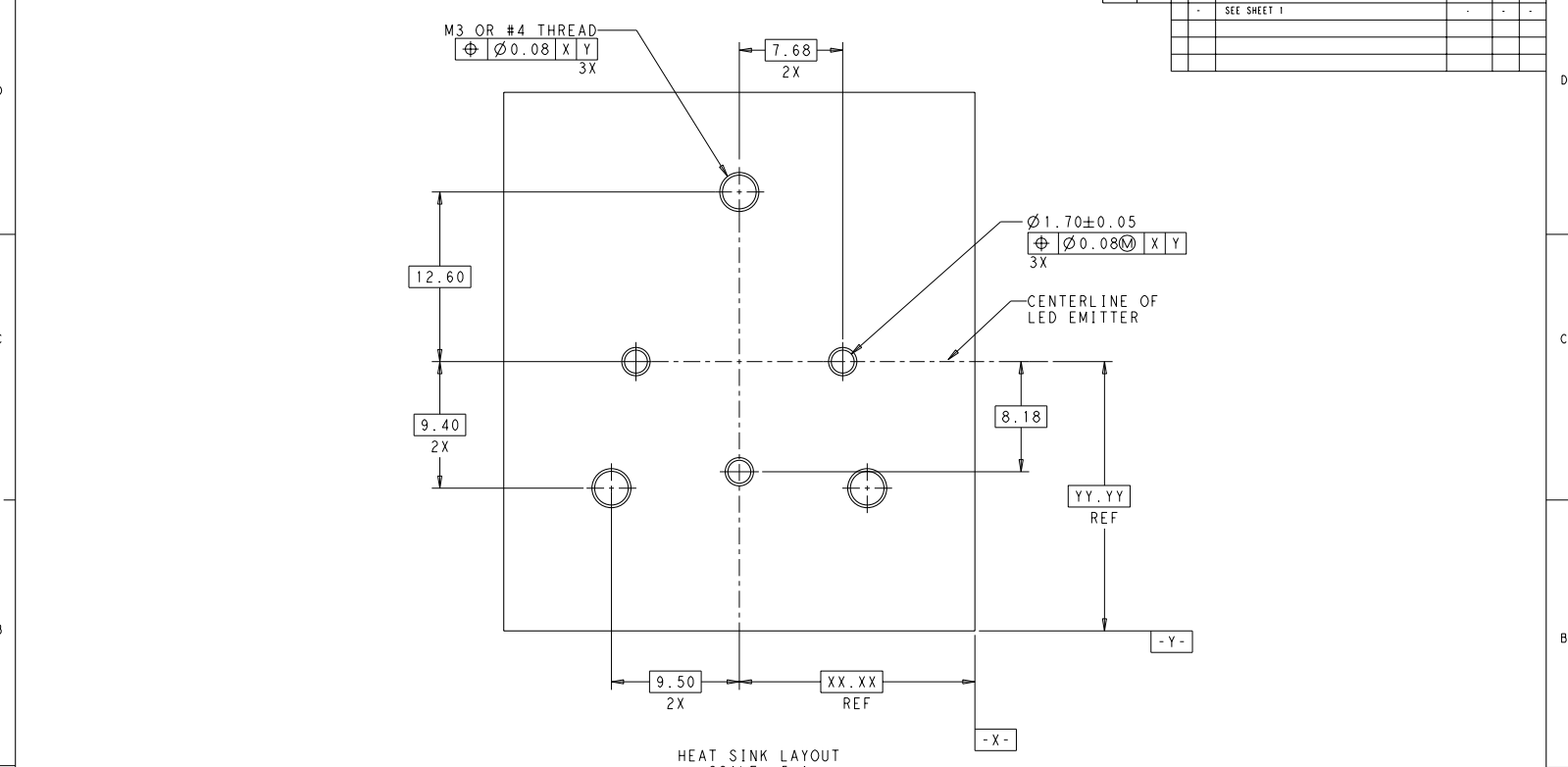
2154235-2 SHOWN



DESIGN APPROVED THIS PRINT IS
PRELIMINARY
 TO FIRST PIECE APPROVAL
 CONTACT PRODUCT ENGINEERING
 BEFORE USING THIS PRINT

THIS DRAWING IS A CONTROLLED DOCUMENT.		OWN C. DAILY 14OCT2010	TE Connectivity
DIMENSIONS: mm		CHK R. NARANG 14OCT2010	
MATERIAL -		PRODUCT SPEC 108-2455	NAME ASSEMBLY, SOLDERLESS LED SOCKET, TYPE LS
APPROVED: -		APPLICATION SPEC 114-13294	
WEIGHT -		SHEET CASE CODE DRAWING NO A200779 ©-2154235	RESTRICTED TO
FINISH -		CUSTOMER DRAWING	SCALE 4:1 SHEET 3 OF 4 REV 4

1477-9 (2/11)



HEAT SINK LAYOUT
SCALE 5:1

TYCO ELECTRONICS
CONFIDENTIAL
AND PROPRIETARY

PROPOSED DESIGN
NOT PRODUCTION TOOLED

DESIGN IS SUBJECT TO
CHANGE WITHOUT NOTICE

REVISIONS				
P	LY	DESCRIPTION	DATE	BY
-	-	SEE SHEET 1	-	-

THIS DRAWING IS A CONTROLLED DOCUMENT.		OWN C. DAILY 14OCT2010	TE Connectivity	
DIMENSIONS: mm		CHK R. NARANG 14OCT2010	NAME ASSEMBLY, SOLDERLESS LED SOCKET, TYPE LS	
TO DRAWING SPECIFICATIONS		APPRO	PRODUCT SPEC 108-2455	RESTRICTED TO
0 PLC #0		1 PLC #0.2	APPLICATION SPEC 114-13294	SHEET CASE CODE DRAWING NO
2 PLC #0.15		3 PLC #0.1	WEIGHT	A200779 ©=2154235
4 PLC #0.075		ANGLES #°	MATERIAL	SCALE 4:1 SHEET 4 OF 4 REV 4
FINISH		WEIGHT	CUSTOMER DRAWING	