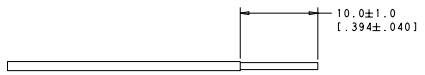
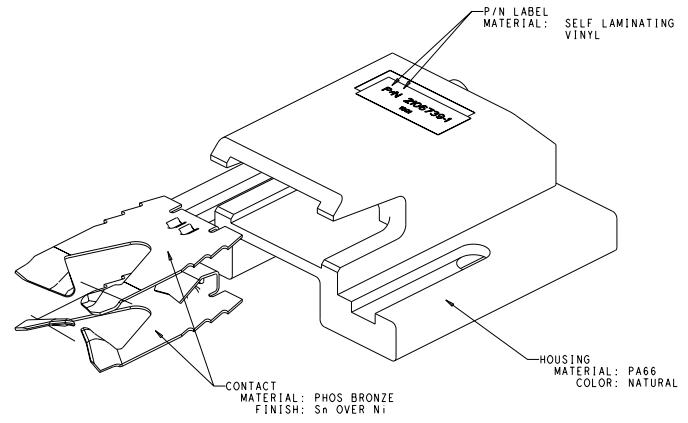
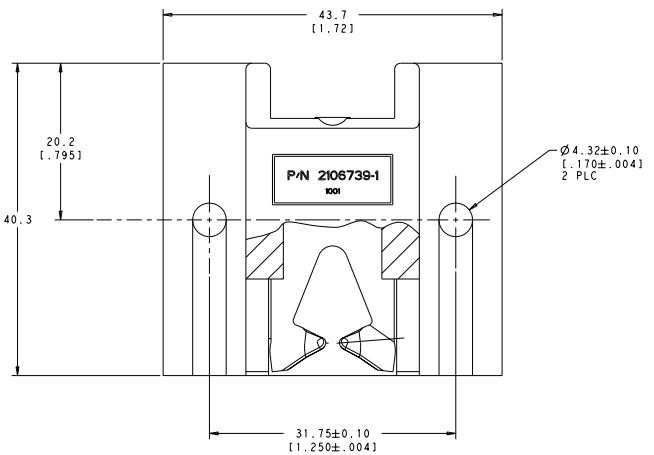
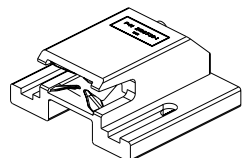
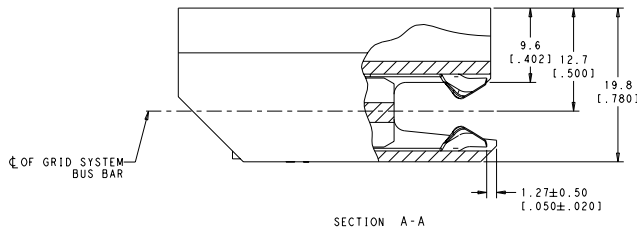
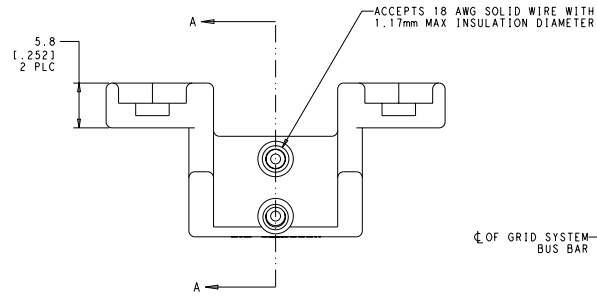


REV	DATE	DESCRIPTION	BY	CHK	APP
A	SEE ECO-11-019559		ZINCHEIT	GIP	MTL
B	SEE ECO-11-025607		ZINCHEIT	GIP	MTL

1. DIRECTIVE 2002/95/EC (ROHS) COMPLIANT.



2106739-1
PART NUMBER

THIS DRAWING IS A CONTROLLED DOCUMENT.		DATE: 03SEP172009	CONTROL NUMBER: 2106739-1
REV: 00	DATE: 03SEP172009	BY: J. LINSLEY	CHK: ZINCHEIT
APP: [Signature]	DATE: 03SEP172009	BY: J. LINSLEY	CHK: ZINCHEIT
REV: 00	DATE: 03SEP172009	BY: J. LINSLEY	CHK: ZINCHEIT
APP: [Signature]	DATE: 03SEP172009	BY: J. LINSLEY	CHK: ZINCHEIT
REV: 00	DATE: 03SEP172009	BY: J. LINSLEY	CHK: ZINCHEIT
APP: [Signature]	DATE: 03SEP172009	BY: J. LINSLEY	CHK: ZINCHEIT
REV: 00	DATE: 03SEP172009	BY: J. LINSLEY	CHK: ZINCHEIT
APP: [Signature]	DATE: 03SEP172009	BY: J. LINSLEY	CHK: ZINCHEIT