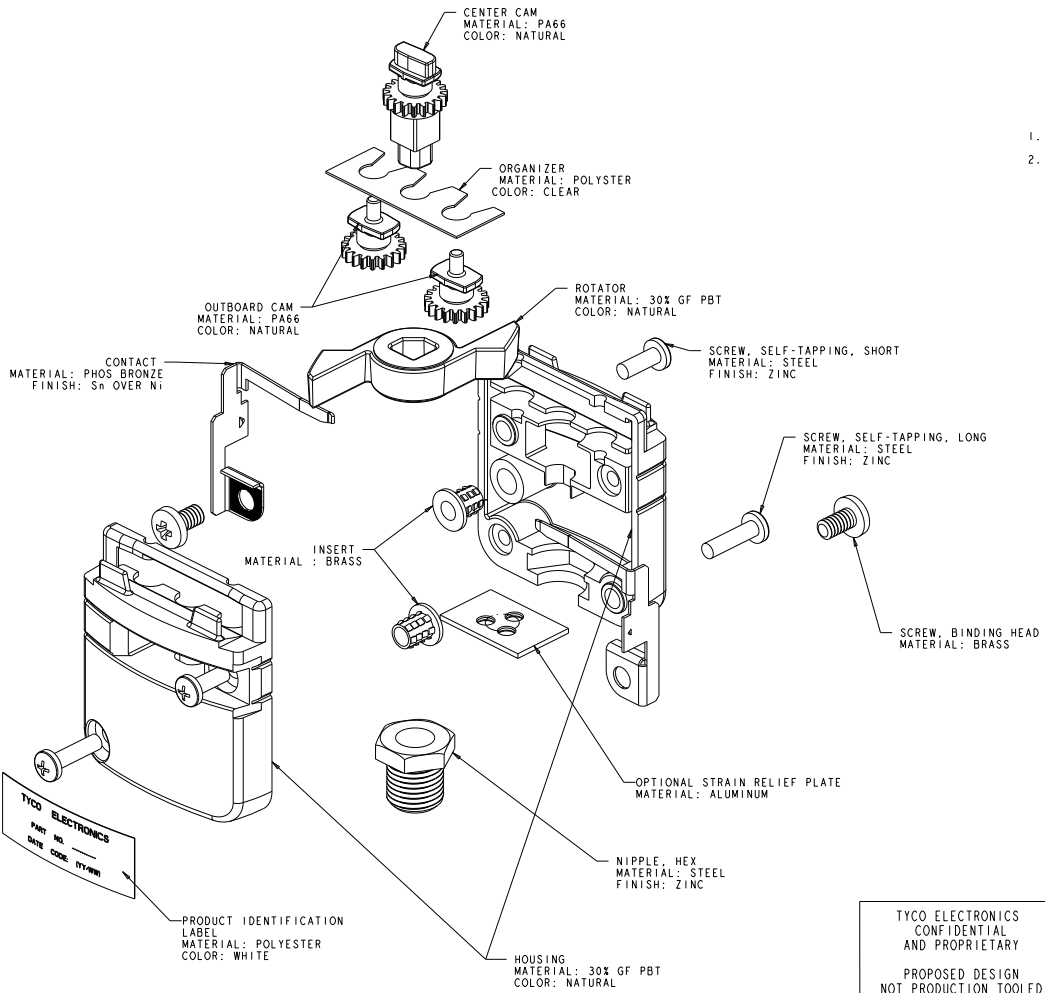
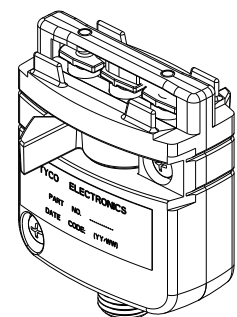


REV	DATE	DESCRIPTION	BY	CHK
1		PROPOSED	PHC2000	APB
2		REVISED	PHC2000	RB SH
3		ADD STRAIN RELIEF PLATE	PHC2000	BYS SH



1. DIRECTIVE 2002/95/EC (ROHS)
2. PRODUCT HAS NOT COMPLETED VALIDATION TESTING



EXPLODED VIEW FOR REFERENCE ONLY

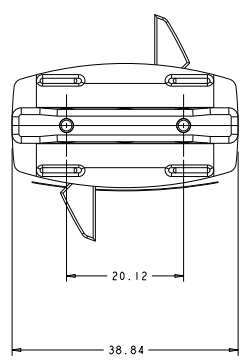
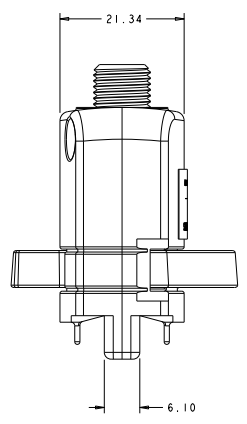
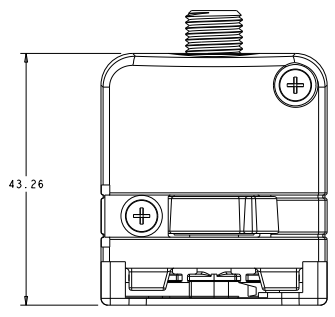
EXPLODED VIEW FOR REFERENCE ONLY

TYCO ELECTRONICS
 CONFIDENTIAL
 AND PROPRIETARY
 PROPOSED DESIGN
 NOT PRODUCTION TOOLED
 DESIGN IS SUBJECT TO
 CHANGE WITHOUT NOTICE

2106710 PART NO.	
081E22009 540012009 108-2418 DC-S SILHOUETTE CONNECTOR ASSEMBLY	Tyco Electronics 111100-3400 00779 © 2106710
DATE CODE (SEE DRAWING 40) A 00779 © 2106710	REVISION TO CUSTOMER DRAWING

8 7 6 5 4 3 2 1
 ALL DIMENSIONS IN MILLIMETERS
 RELEASED FOR FABRICATION
 © 2016 TYCO BY TYCO ELECTRONICS CORPORATION. ALL RIGHTS RESERVED

REVISOR		REVISIONS	
NO.	DATE	DESCRIPTION	BY
1		SEE SHEET 1	



TYCO ELECTRONICS
 CONFIDENTIAL
 AND PROPRIETARY
 PROPOSED DESIGN
 NOT PRODUCTION TOOLED
 DESIGN IS SUBJECT TO
 CHANGE WITHOUT NOTICE

TITLE: DC SILHOUETTE CONNECTOR ASSEMBLY PART NO.: 093E2009 REV: 1 DATE: 08/24/16 DRAWN BY: [Name] CHECKED BY: [Name] APPROVED BY: [Name]		Tyco Electronics Harrisburg, PA 17105-3600	
PROJECT NO.: 100-2416 APPLICATION SPEC.: REVISION: A CUSTOMER DRAWING		STATE: CAKE CODE: [Code] PART NUMBER: 00779 SHEET: 3 OF 3	