

4

3

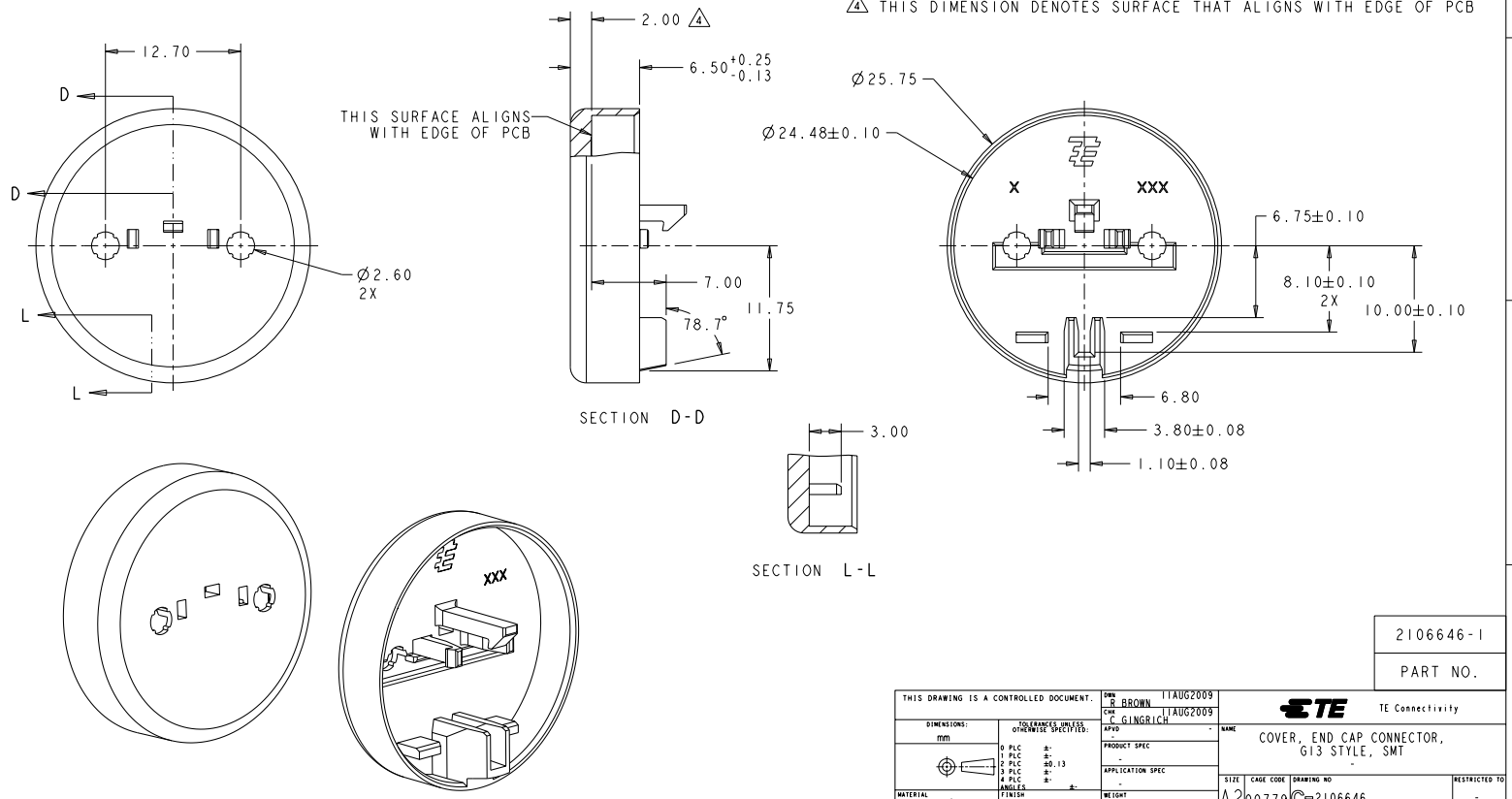
2

1

THIS DRAWING IS UNPUBLISHED. RELEASED FOR PUBLICATION. COPYRIGHT © BY ALL RIGHTS RESERVED.

LOC		DISP		REVISIONS			
P	LYR	DESCRIPTION	DATE	BY	APPD		
A1		REVISED PER ECO-11-004820	11MAR2011	BR	HMR		

- △ MATERIAL: PBT. COLOR: NATURAL
- 2. THIS PRODUCT HAS NOT COMPLETED VALIDATION TESTING
- 3. MUST COMPLY WITH DIRECTIVE 2002/95/EC (ROHS)
- △ THIS DIMENSION DENOTES SURFACE THAT ALIGNS WITH EDGE OF PCB



2106646-1  
PART NO.

THIS DRAWING IS A CONTROLLED DOCUMENT.		OWN R. BROWN	11AUG2009	TE Connectivity
DRAWN BY C. GLINGRICH		CHKD C. GLINGRICH	11AUG2009	
DIMENSIONS: mm		PRODUCT SPEC	NAME COVER, END CAP CONNECTOR, G13 STYLE, SMT	
TOLERANCES UNLESS OTHERWISE SPECIFIED:		APPLICATION SPEC	SITE   CASE CODE   DRAWING NO	
0 PLC ± .13	1 PLC ± .13	WEIGHT	A200779 ©-2106646	
2 PLC ± .13	3 PLC ± .13	CUSTOMER DRAWING	RESTRICTED TO	
4 PLC ± .13	5 PLC ± .13		SCALE 4:1 SHEET 1 OF 1 REV A1	
6 PLC ± .13	7 PLC ± .13			
ANGLES				
FINISH				