

4

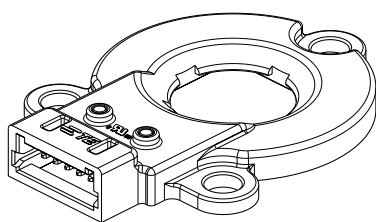
3

2

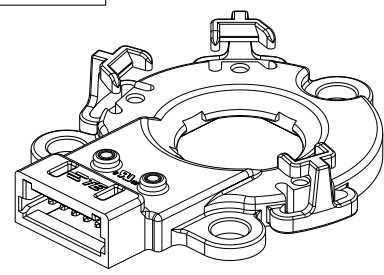
1

THIS DRAWING IS UNPUBLISHED. RELEASED FOR PUBLICATION. COPYRIGHT © BY ALL RIGHTS RESERVED.

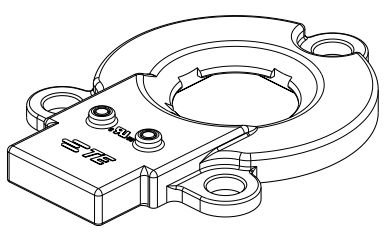
REVISONS		DATE	BY	APPV
7	UPDATED CORPORATE LOGO	22SEP2011	MM	MM



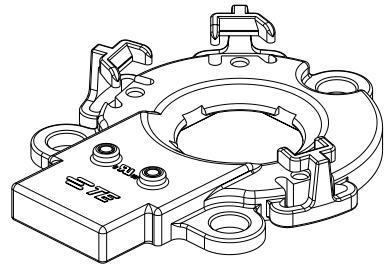
2106946-1



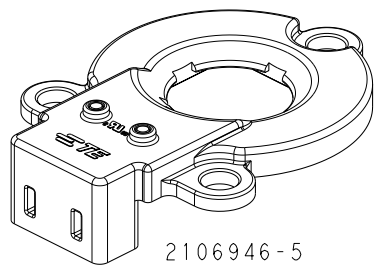
2106946-2



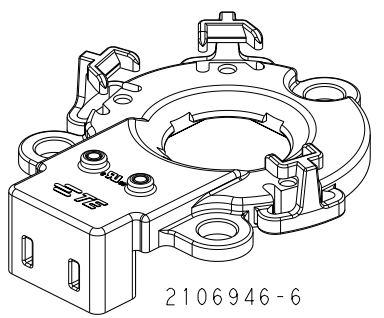
2106946-3



2106946-4



2106946-5



2106946-6

- △ MATERIALS AND FINISH:
-HOUSING: PBT-GF
-CONTACTS: COPPER ALLOY
FINISH: TIN AND SILVER OVER NICKEL
- 2. PRODUCT TO COMPLY WITH DIRECTIVE 2002/95/EC (ROHS)
- 3. PRODUCT HAS NOT COMPLETED VALIDATION TESTING
- △ RECOMMENDED SCREW SIZE: #4 OR M3
SCREW DOWN TORQUE: 0.28 N-M (2.5 IN-LBF) TO
0.45 N-M (4.0 IN-LBF)
- 5. SCREWS FROM FERROUS METALS (OTHER THAN STAINLESS STEEL) SHOULD BE ZINC PLATED OR HAVE AN EQUIVALENT PROTECTIVE COATING
- △ RECOMMENDED TE MATING CONNECTOR
-HOUSING: 353908-6
-CONTACT: 353907-1
- △ REFER TO CREE® XLAMP® MP-L™ SOLDERING AND HANDLING APPLICATION NOTE AVAILABLE ON THE CREE WEBSITE
- △ CENTER OF THE LED PACKAGE NOT OPTICAL CENTER
- △ PADS SHOULD BE SMOOTH AND FLAT. PADS TO BE PLATED WITH 2.54 MICRONS [100 μm] MIN HAL TIN

SOCKET ASSEMBLY, LED TO INVERTED WIRE, W/ OPTICS LATCH	2106946-6
SOCKET ASSEMBLY, LED TO INVERTED WIRE, W/O OPTICS LATCH	2106946-5
SOCKET ASSEMBLY, LED TO BOARD W/ OPTICS LATCH	2106946-4
SOCKET ASSEMBLY, LED TO BOARD, W/O OPTICS LATCH	2106946-3
SOCKET ASSEMBLY, LED TO WIRE, W/ OPTICS LATCH	2106946-2
SOCKET ASSEMBLY, LED TO WIRE, W/O OPTICS LATCH	2106946-1
DESCRIPTION	PART NO.

NEW PRODUCT PRELIMINARY IN DEVELOPMENT

THIS DRAWING IS A CONTROLLED DOCUMENT.		DATE: 17MAR2010	LITE ConnectIVITY
DRAWN BY: AR JUN		DATE: 26MAR2010	
CHECKED BY: R NARANG		DATE: 26MAR2010	PRELIMINARY ASSEMBLY, SOLDERLESS LED SOCKET TYPE CM
APPROVED BY:		DATE:	
DIMENSIONS: mm		PRODUCT SPEC: 108-2439	SIZE: A2 CASE CODE: 00779 DRAWING NO: C-2106946
0 PLC #1 1 PLC #2 2 PLC #3 3 PLC #4 4 PLC #5 ANGLE: #2°		APPLICATION SPEC: 114-13281	
MATERIAL: △ -		WEIGHT: -	RESTRICTED TO: -
		CUSTOMER DRAWING	SCALE: 4:1 SHEET 1 OF 9 REV 7

4

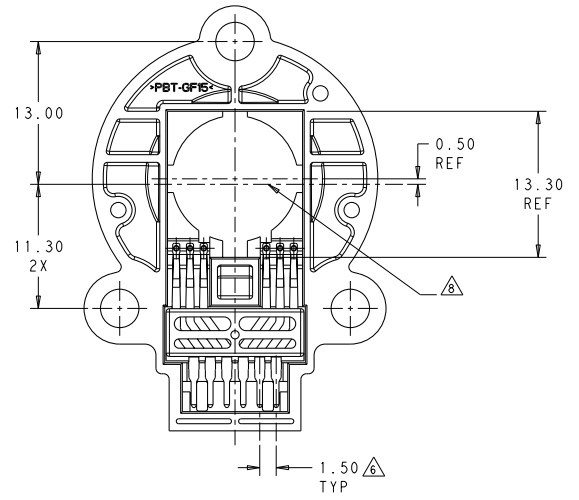
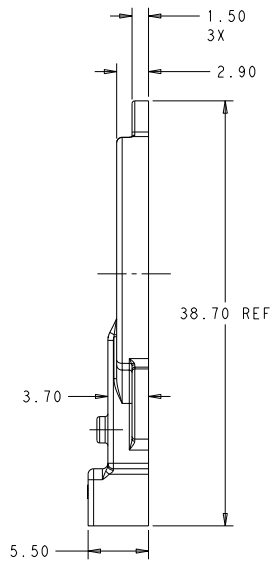
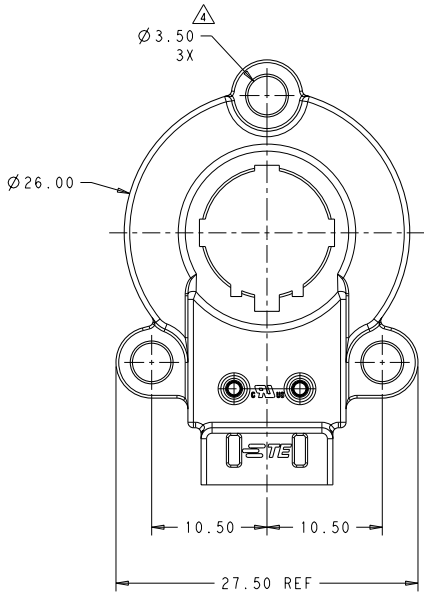
3

2

1

THIS DRAWING IS UNPUBLISHED. RELEASED FOR PUBLICATION
 COPYRIGHT © BY ALL RIGHTS RESERVED.

LOC	DISP	REVISIONS	DATE	BY	APPR
-	-	DESCRIPTION			
P	LYA	SEE SHEET 1	-	-	-



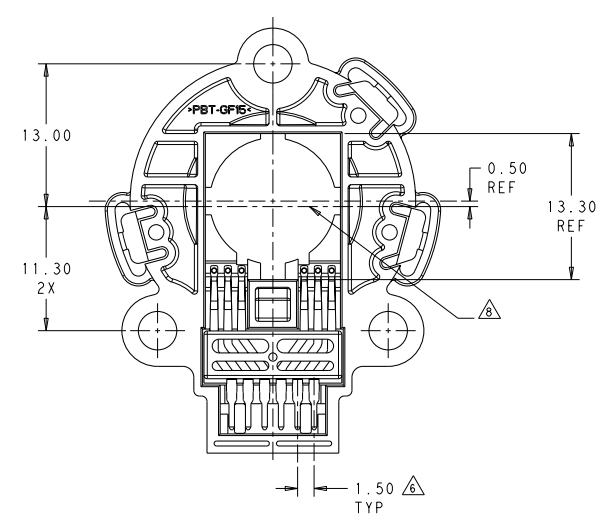
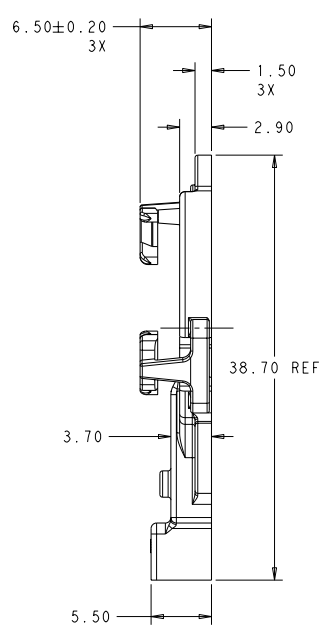
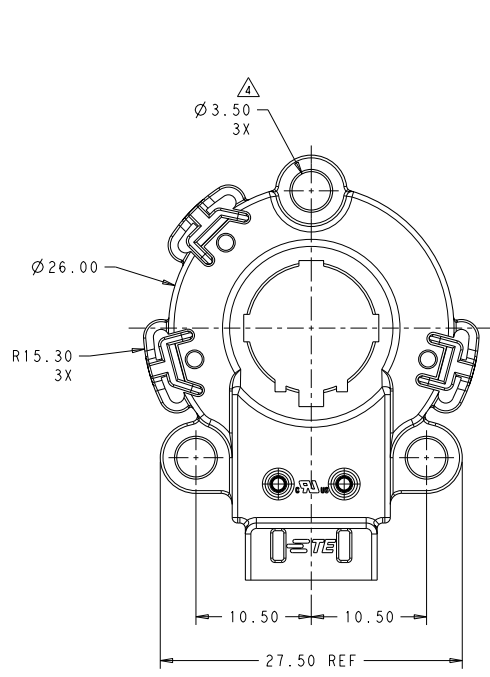
2106946-1 SHOWN

**NEW PRODUCT
PRELIMINARY
IN DEVELOPMENT**

THIS DRAWING IS A CONTROLLED DOCUMENT.		OWN: ARJUN 17MAR2010	
		CHK: R. NARANG 26MAR2010	
DIMENSIONS:	TO DIMENSIONS UNLESS OTHERWISE SPECIFIED:	PRODUCT SPEC	NAME
mm		108-2439	ASSEMBLY, SOLDERLESS LED SOCKET TYPE CM
	0 PLC ±° 1 PLC ±° 2 PLC ±0.13 3 PLC ±° 4 PLC ±° ANGLES ±°	APPLICATION SPEC	SHEET CASE CODE DRAWING NO
MATERIAL	FINISH	114-13281	A200779 ©-2106946
		WEIGHT	RESTRICTED TO
		CUSTOMER DRAWING	SCALE 4:1 SHEET 2 OF 9 REV 7

THIS DRAWING IS UNPUBLISHED. RELEASED FOR PUBLICATION. ALL RIGHTS RESERVED.

LOC		DIST		REVISIONS			
P	LY	DESCRIPTION	DATE	BY	APPR		
-	-	SEE SHEET 1	-	-	-	-	-



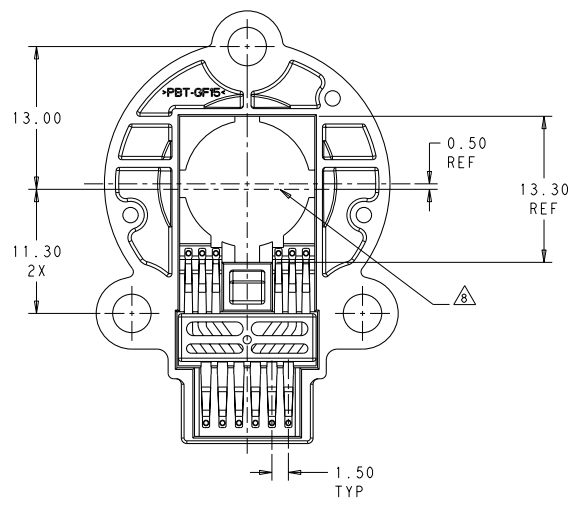
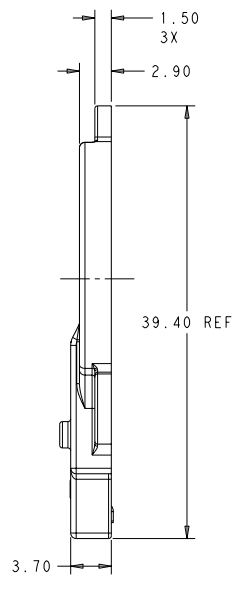
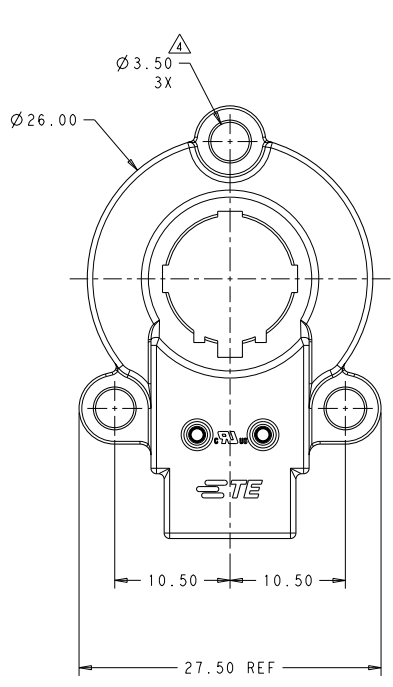
2106946-2 SHOWN

**NEW PRODUCT
PRELIMINARY
IN DEVELOPMENT**

THIS DRAWING IS A CONTROLLED DOCUMENT.		DRN: ARJUN 17MAR2010	TE Connectivity
		CHK: R. NARANG 26MAR2010	
DIMENSIONS:	TO DIMENSIONS UNLESS OTHERWISE SPECIFIED:	PRODUCT SPEC	ASSEMBLY, SOLDERLESS LED SOCKET TYPE CM
mm		108-2439	
		APPLICATION SPEC	RESTRICTED TO
		114-13281	
MATERIAL:	FINISH:	WEIGHT:	SHEET CASE CODE DRAWING NO
-	-	-	A200779 ©-2106946
		CUSTOMER DRAWING	SCALE 4:1 SHEET 3 OF 9 REV 7

THIS DRAWING IS UNPUBLISHED. RELEASED FOR PUBLICATION. ALL RIGHTS RESERVED.

LOC		DIST		REVISIONS			
P	LY	DESCRIPTION	DATE	BY	APPR		
-	-	SEE SHEET 1	-	-	-	-	-



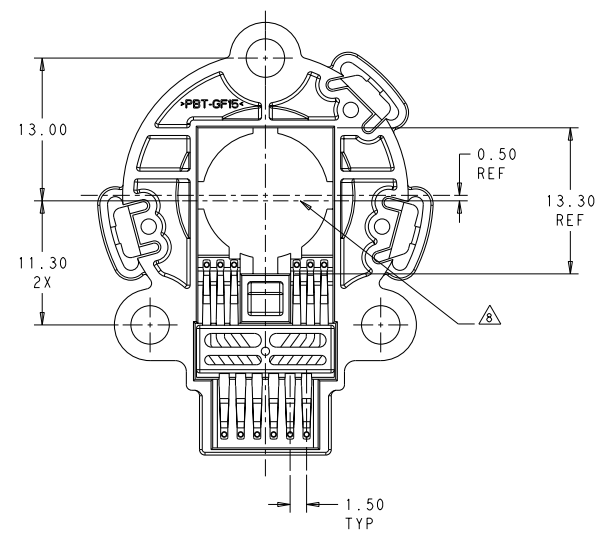
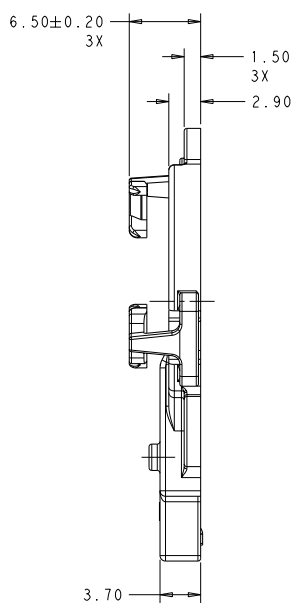
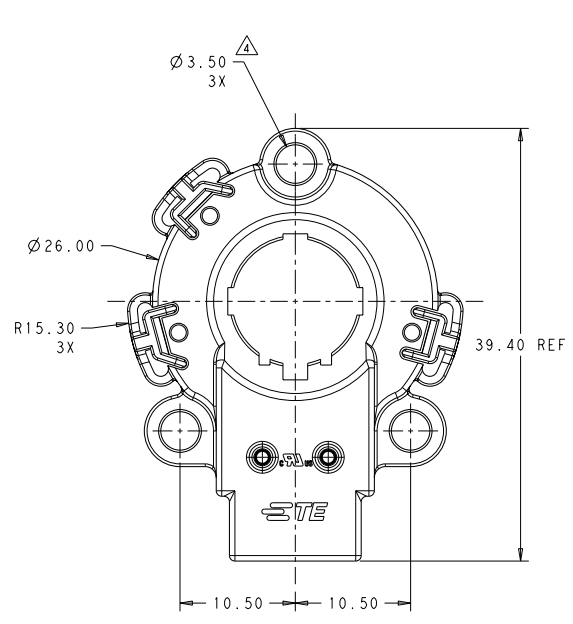
**NEW PRODUCT
PRELIMINARY
IN DEVELOPMENT**

2106946-3 SHOWN

THIS DRAWING IS A CONTROLLED DOCUMENT.		OWN: ARJUN 17MAR2010	
DRAWN BY: R. NARANG 26MAR2010		CHK: R. NARANG 26MAR2010	
DIMENSIONS: mm		PRODUCT SPEC: 108-2439	ASSEMBLY, SOLDERLESS LED SOCKET TYPE CM
TOLERANCES UNLESS OTHERWISE SPECIFIED:		APPLICATION SPEC: 114-13281	
MATERIAL: -		WEIGHT: -	RESTRICTED TO: -
FINISH: -		CUSTOMER DRAWING	SCALE: 4:1 SHEET 4 OF 9 REV 7

THIS DRAWING IS UNPUBLISHED. RELEASED FOR PUBLICATION. ALL RIGHTS RESERVED.

REVISIONS				
P	LY#	DESCRIPTION	DATE	BY
-	-	SEE SHEET 1	-	-



2106946-4 SHOWN

**NEW PRODUCT
PRELIMINARY
IN DEVELOPMENT**

THIS DRAWING IS A CONTROLLED DOCUMENT.		OWN: ARJUN 17MAR2010	TE Connectivity
		CHK: R. NARANG 26MAR2010	
DIMENSIONS: mm	TO MANUFACTURE: OPTIMISTIC SPECIFICS	APPRO: [Signature]	NAME: ASSEMBLY, SOLDERLESS LED SOCKET TYPE CM
0 PLC ± 1 PLC ± 2 PLC ±0.13 3 PLC ± 4 PLC ± ANGLES ±°	PRODUCT SPEC: 108-2439 APPLICATION SPEC: 114-13281	WEIGHT: - FINISH: -	SIZE: A2 CASE CODE: 00779 DRAWING NO: ©-2106946
MATERIAL: -		CUSTOMER DRAWING	RESTRICTED TO: -
		SCALE: 4:1	SHEET 5 OF 9 REV 7

4

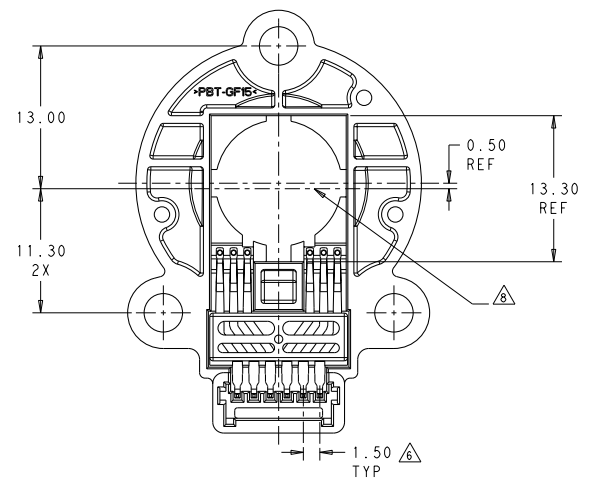
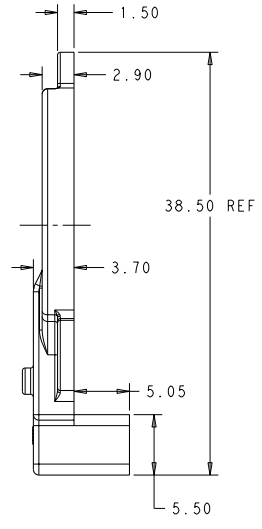
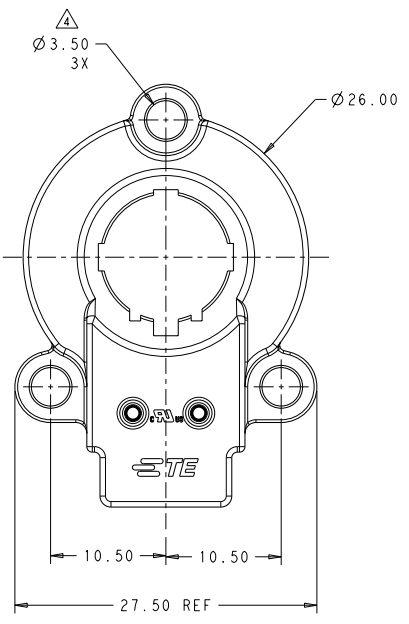
3

2

1

THIS DRAWING IS UNPUBLISHED. RELEASED FOR PUBLICATION. ALL RIGHTS RESERVED.

REV	DATE	BY	APPROV
1	-	-	-
2	-	-	-
3	-	-	-
4	-	-	-



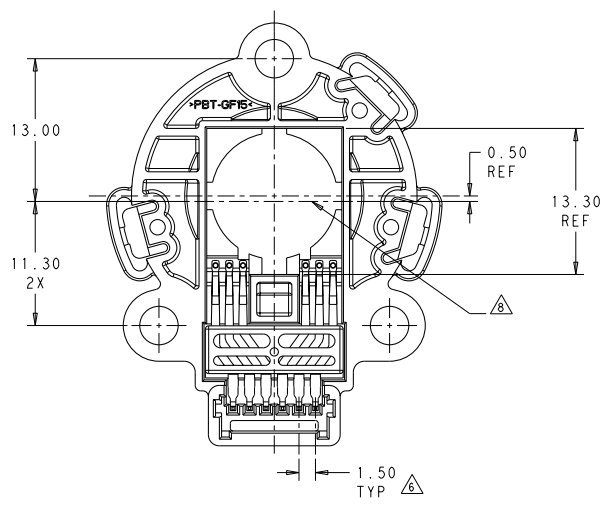
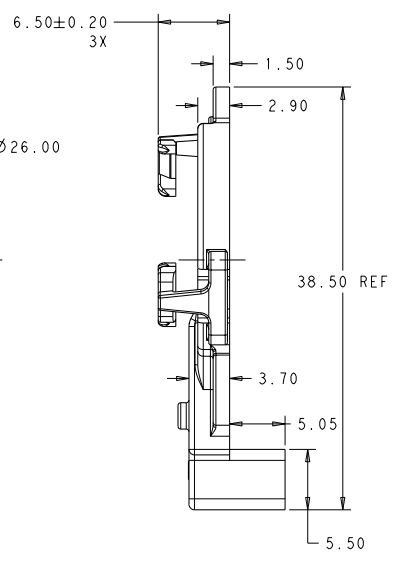
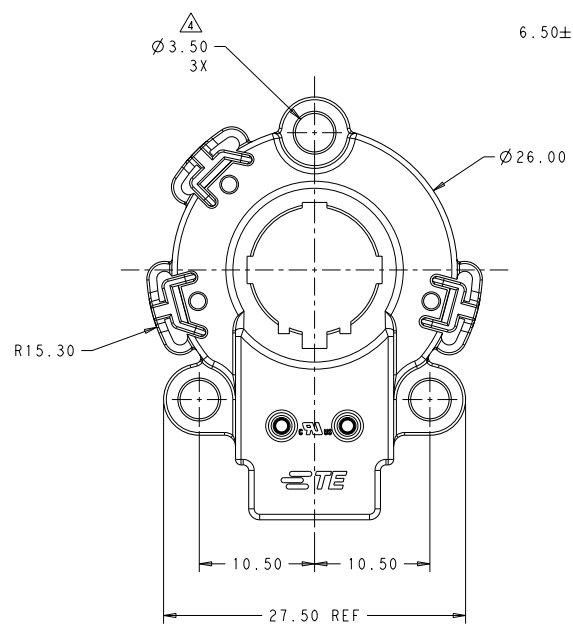
2106946-5 SHOWN

NEW PRODUCT PRELIMINARY IN DEVELOPMENT

THIS DRAWING IS A CONTROLLED DOCUMENT.		OWN: ARJUN 17MAR2010	TE Connectivity
DRAWN BY: R. NARANG 26MAR2010		CHK: R. NARANG 26MAR2010	
DIMENSIONS: mm	TO DRAWING'S DIMENSIONS: OPTIMISTIC SPECIFICATIONS	PRODUCT SPEC: 108-2439	NAME: ASSEMBLY, SOLDERLESS LED SOCKET TYPE CM
0 PLC ±% 1 PLC ±% 2 PLC ±0.13 3 PLC ±% 4 PLC ±% ANGLES ±° FINISH	WEIGHT: -	SITE CASE CODE DRAWING NO: A200779	RESTRICTED TO: -
MATERIAL: -	CUSTOMER DRAWING	SCALE: 4:1	SHEET 6 OF 9 REV 7

THIS DRAWING IS UNPUBLISHED. RELEASED FOR PUBLICATION. ALL RIGHTS RESERVED.

REV	DATE	BY	APPROV
1	-	-	-
2	-	-	-
3	-	-	-
4	-	-	-

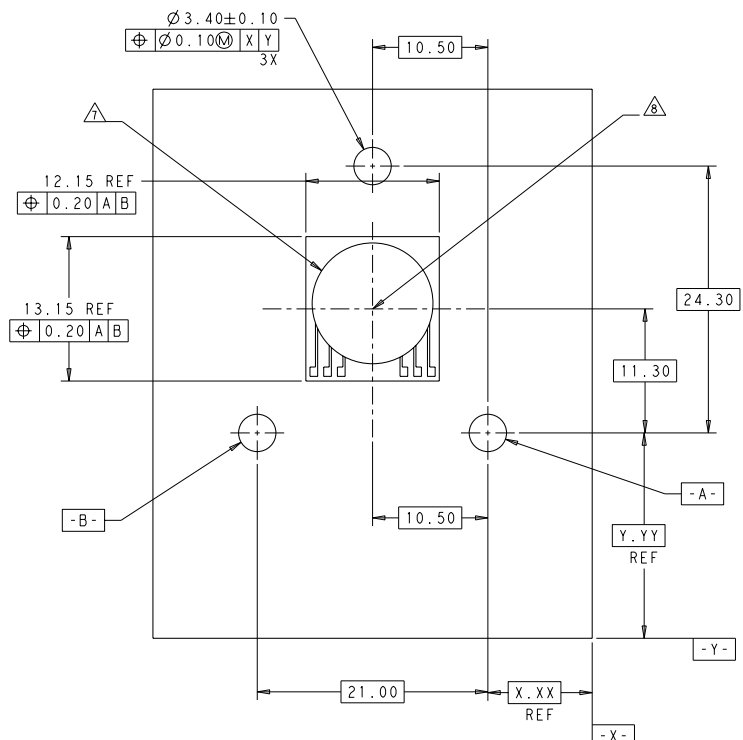


2106946-6 SHOWN

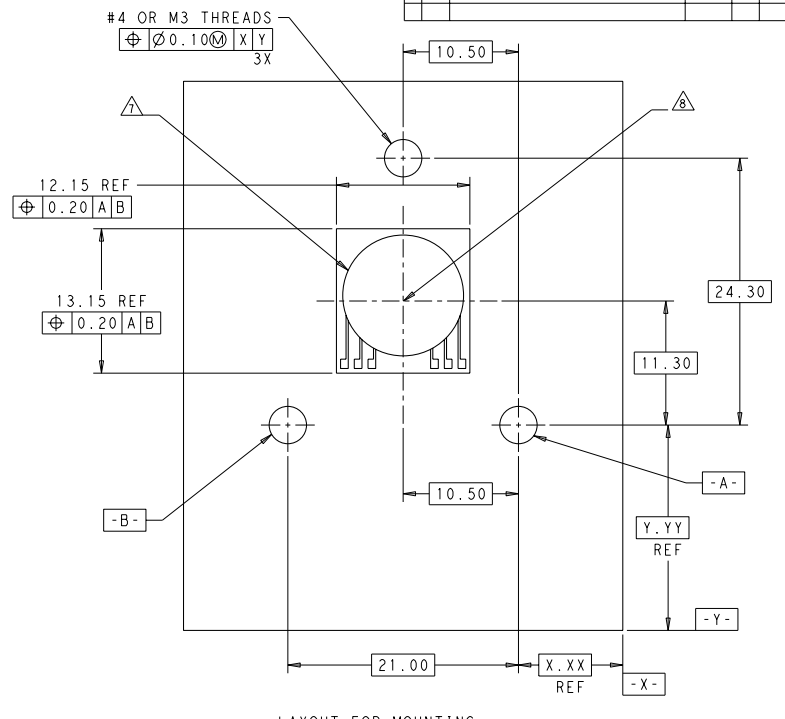
**NEW PRODUCT
PRELIMINARY
IN DEVELOPMENT**

THIS DRAWING IS A CONTROLLED DOCUMENT.		OWN: ARJUN 17MAR2010	TE Connectivity
DRAWN BY: R. NARANG 26MAR2010		CHK: R. NARANG 26MAR2010	
DIMENSIONS: mm	TO DIMENSIONS UNLESS OTHERWISE SPECIFIED:	PRODUCT SPEC: 108-2439	NAME: ASSEMBLY, SOLDERLESS LED SOCKET TYPE CM
	0 PLC ±0.13 1 PLC ±0.13 2 PLC ±0.13 3 PLC ±0.13 4 PLC ±0.13 ANGLES ±0°	APPLICATION SPEC: 114-13281	SHEET CASE CODE DRAWING NO: A200779 ©-2106946
MATERIAL: -	FINISH: -	WEIGHT: -	RESTRICTED TO: -
CUSTOMER DRAWING		SCALE: 4:1	SHEET 7 OF 9 REV 7

REVISIONS				
REV	DATE	BY	APPROV	DESCRIPTION
-	-	-	-	SEE SHEET 1



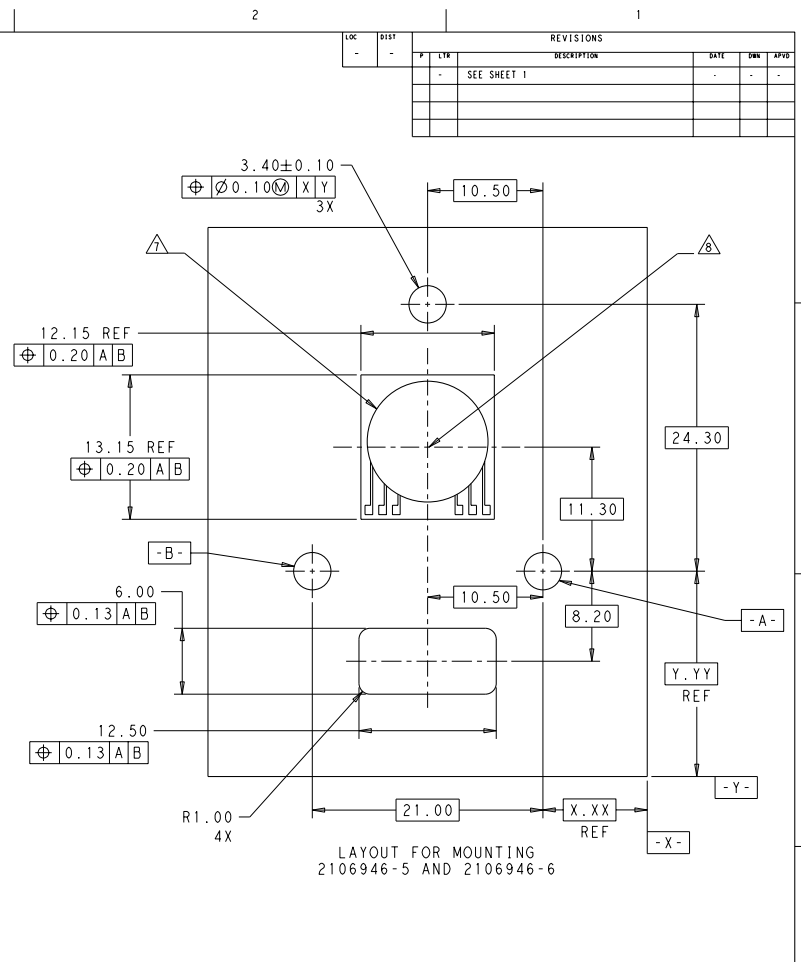
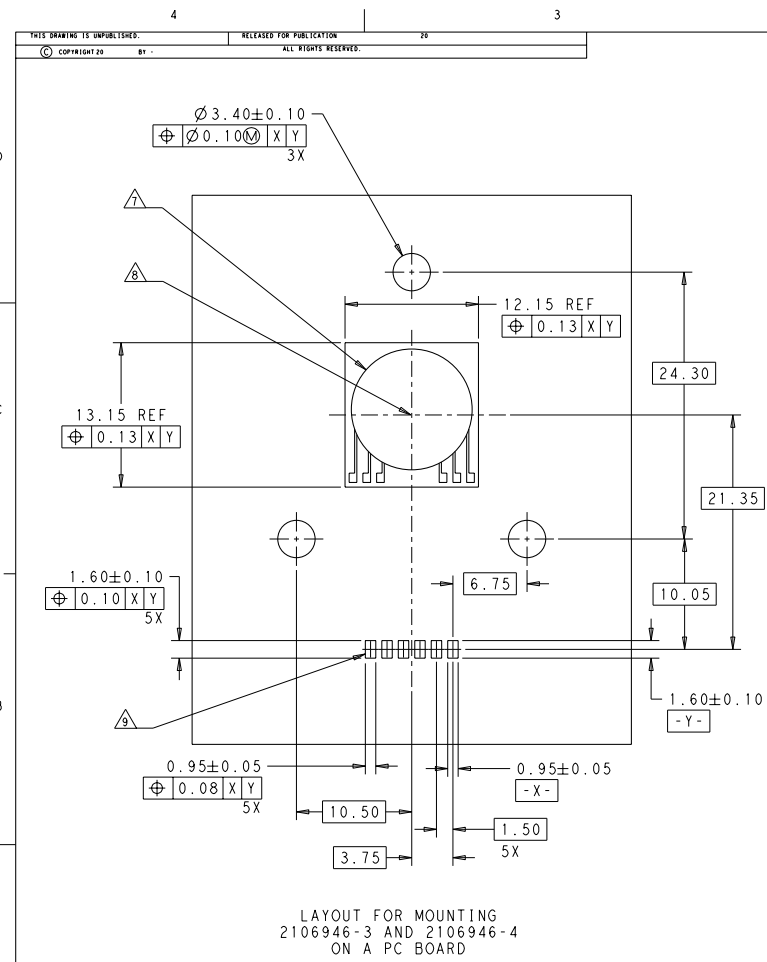
LAYOUT FOR MOUNTING
2106946-1 AND 2106946-2
ON A PC BOARD



LAYOUT FOR MOUNTING
2106946-1 AND 2106946-2
ON A HEAT SINK

**NEW PRODUCT
PRELIMINARY
IN DEVELOPMENT**

THIS DRAWING IS A CONTROLLED DOCUMENT.		DATE: 17MAR2010	
DRAWN BY: ARJUN		DATE: 26MAR2010	
CHECKED BY: R. NARANG		APPROV:	NAME: ASSEMBLY, SOLDERLESS LED SOCKET TYPE CM
DIMENSIONS: mm		PRODUCT SPEC: 108-2439	SIZE: A2 CASE CODE: 00779 DRAWING NO: 2106946
TOLERANCES UNLESS OTHERWISE SPECIFIED:		APPLICATION SPEC: 114-13281	
0 PLC ±0.13 1 PLC ±0.13 2 PLC ±0.13 3 PLC ±0.13 4 PLC ±0.13 ANGLES ±0.5°		WEIGHT: -	RESTRICTED TO: -
MATERIAL: -		CUSTOMER DRAWING	SCALE: 4:1 SHEET 8 OF 9 REV 7



REV	DATE	BY	APPROV	DESCRIPTION
1	-	-	-	SEE SHEET 1

**NEW PRODUCT
PRELIMINARY
IN DEVELOPMENT**

THIS DRAWING IS A CONTROLLED DOCUMENT.		DATE: 17MAR2010	TE Connectivity
DRAWN BY: ARJUN		DATE: 26MAR2010	
CHECKED BY: R. NARANG		DATE:	ASSEMBLY, SOLDERLESS LED SOCKET TYPE CM
APPROVED BY:		DATE:	
DIMENSIONS: mm		PRODUCT SPEC: 108-2439	SIZE: A200779 CASE CODE: C-2106946 DRAWING NO: 2106946
TOLERANCES UNLESS OTHERWISE SPECIFIED:		APPLICATION SPEC: 114-13281	
MATERIAL:		WEIGHT:	RESTRICTED TO:
FINISH:		CUSTOMER DRAWING	SCALE: 4:1 SHEET 9 OF 9 REV 7