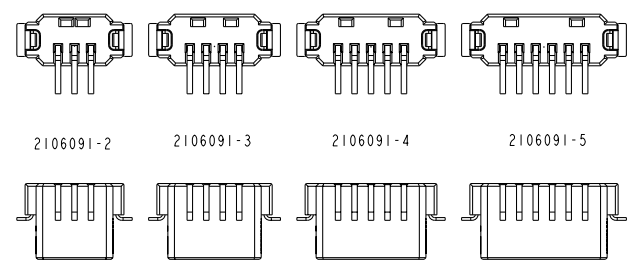


LOC		DIST		REVISIONS			
P	LYA	DESCRIPTION	DATE	BY	CHK	APPROV	
A1		REVISED PER ECO-11-004587	11MAR2011	AK	HMR		

- △ MATERIALS AND FINISH:  
 - HOUSING: LCP, COLOR: NATURAL  
 - CONTACTS: COPPER ALLOY, FINISH: Sn OVER Ni  
 - HOLD DOWNS: BRASS, FINISH: Sn OVER Ni
- MUST COMPLY WITH DIRECTIVE 2002/95/EC (ROHS)
  - THIS PRODUCT HAS NOT COMPLETED VALIDATION TESTING
  - PACKAGED IN TAPE AND REEL PER EIA-481 SPECIFICATIONS. DIAMETER OF REEL TO BE 330.0mm



SCALE 4:1

2.99	7.10	12.00	15.11	11.50	6	2106091-5
2.97	6.35	10.50	13.61	10.00	5	2106091-4
2.94	5.60	9.00	12.11	8.50	4	2106091-3
2.90	4.85	7.50	10.61	7.00	3	2106091-2
2.79	4.10	6.00	9.11	5.50	2	2106091-1
DIM P	DIM N	DIM M	DIM F	DIM E	POSN	PART NUMBER

THIS DRAWING IS A CONTROLLED DOCUMENT. OWNED BY C. DAILY. DATE: 14MAR2008. CONTROLLED BY M. MOSTOLLER. DATE: 14MAR2008.

**TE** TE Connectivity

ASSEMBLY, THRU BOARD INVERTED SMT CONNECTOR

DIMENSIONS: mm	TO DRAWING SPECIFICATIONS	PRODUCT SPEC: 108-2376	SIZE: A2	CASE CODE: 00779	DRAWING NO: 2106091	RESTRICTED TO: -
MATERIAL: △	FINISH: -	APPLICATION SPEC: 114-13245	WEIGHT: -	CUSTOMER DRAWING	SCALE: 2:1	SHEET 1 OF 3 REV A1

4

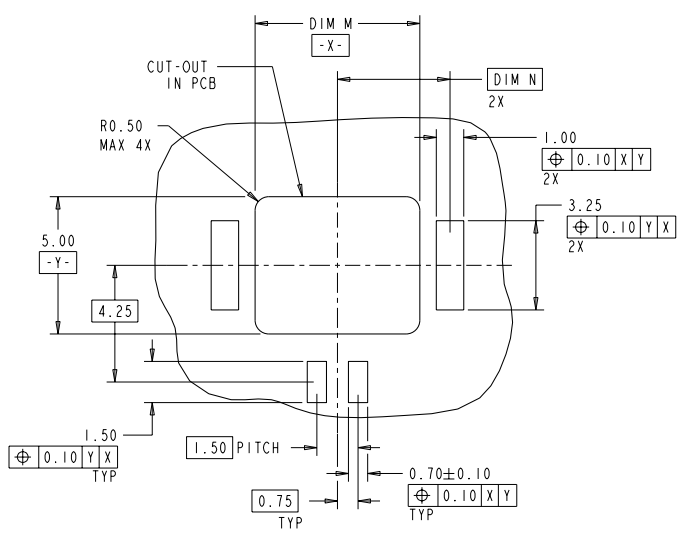
3

2

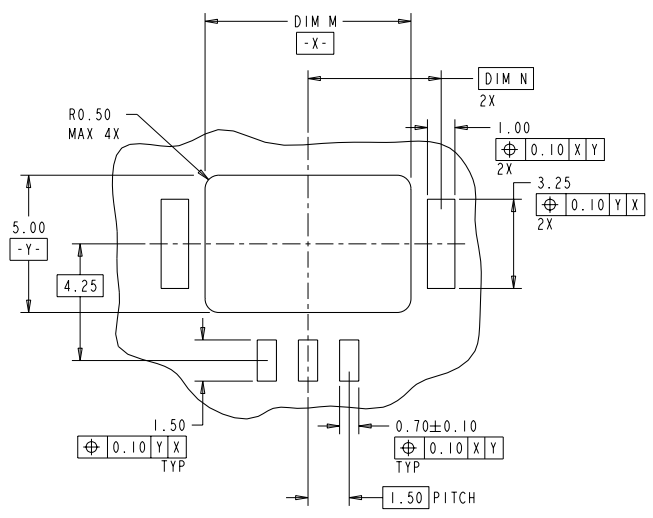
1

THIS DRAWING IS UNPUBLISHED. BY - RELEASED FOR PUBLICATION 20 ALL RIGHTS RESERVED.

REVISONS		DATE	BY	APPROV
P	LYM			
- SEE SHEET 1		-	-	-



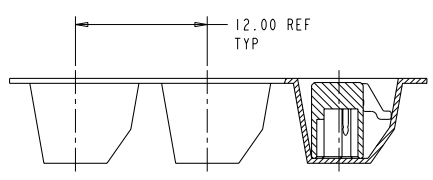
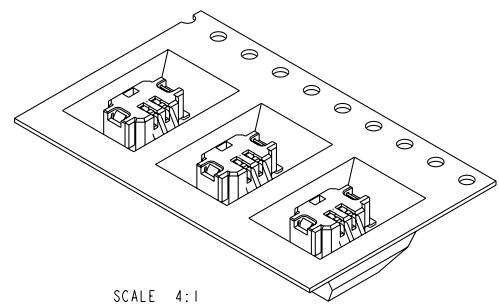
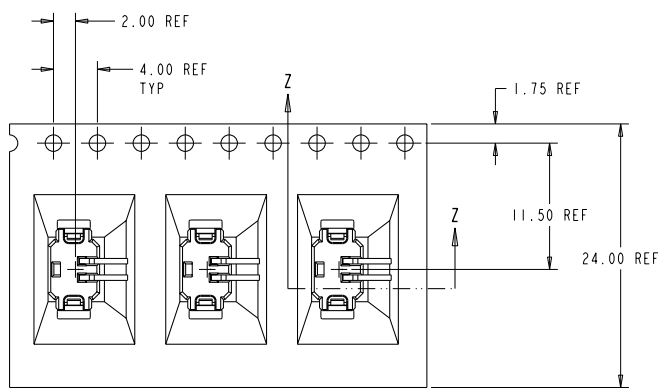
RECOMMENDED PCB LAYOUT  
EVEN NUMBER POSITIONS SHOWN  
SCALE 10:1



RECOMMENDED PCB LAYOUT  
ODD NUMBER POSITIONS SHOWN  
SCALE 10:1

THIS DRAWING IS A CONTROLLED DOCUMENT.		DATE: 14MAR2008																																																																																																																																																										
DRAWN BY: C. DAILY		CHKD BY: M. MOSTOLLER																																																																																																																																																										
DIMENSIONS: mm		PRODUCT SPEC:	<b>ASSEMBLY, THRU BOARD INVERTED SMT CONNECTOR</b>																																																																																																																																																									
TOLERANCES UNLESS OTHERWISE SPECIFIED:		APPLICATION SPEC:																																																																																																																																																										
<table border="1"> <tr><td>0</td><td>PLC</td><td>±0.13</td></tr> <tr><td>1</td><td>PLC</td><td>±0.2</td></tr> <tr><td>2</td><td>PLC</td><td>±0.13</td></tr> <tr><td>3</td><td>PLC</td><td>±0.13</td></tr> <tr><td>4</td><td>PLC</td><td>±0.13</td></tr> <tr><td>5</td><td>PLC</td><td>±0.13</td></tr> <tr><td>6</td><td>PLC</td><td>±0.13</td></tr> <tr><td>7</td><td>PLC</td><td>±0.13</td></tr> <tr><td>8</td><td>PLC</td><td>±0.13</td></tr> <tr><td>9</td><td>PLC</td><td>±0.13</td></tr> <tr><td>10</td><td>PLC</td><td>±0.13</td></tr> <tr><td>11</td><td>PLC</td><td>±0.13</td></tr> <tr><td>12</td><td>PLC</td><td>±0.13</td></tr> <tr><td>13</td><td>PLC</td><td>±0.13</td></tr> <tr><td>14</td><td>PLC</td><td>±0.13</td></tr> <tr><td>15</td><td>PLC</td><td>±0.13</td></tr> <tr><td>16</td><td>PLC</td><td>±0.13</td></tr> <tr><td>17</td><td>PLC</td><td>±0.13</td></tr> <tr><td>18</td><td>PLC</td><td>±0.13</td></tr> <tr><td>19</td><td>PLC</td><td>±0.13</td></tr> <tr><td>20</td><td>PLC</td><td>±0.13</td></tr> <tr><td>21</td><td>PLC</td><td>±0.13</td></tr> <tr><td>22</td><td>PLC</td><td>±0.13</td></tr> <tr><td>23</td><td>PLC</td><td>±0.13</td></tr> <tr><td>24</td><td>PLC</td><td>±0.13</td></tr> <tr><td>25</td><td>PLC</td><td>±0.13</td></tr> <tr><td>26</td><td>PLC</td><td>±0.13</td></tr> <tr><td>27</td><td>PLC</td><td>±0.13</td></tr> <tr><td>28</td><td>PLC</td><td>±0.13</td></tr> <tr><td>29</td><td>PLC</td><td>±0.13</td></tr> <tr><td>30</td><td>PLC</td><td>±0.13</td></tr> <tr><td>31</td><td>PLC</td><td>±0.13</td></tr> <tr><td>32</td><td>PLC</td><td>±0.13</td></tr> <tr><td>33</td><td>PLC</td><td>±0.13</td></tr> <tr><td>34</td><td>PLC</td><td>±0.13</td></tr> <tr><td>35</td><td>PLC</td><td>±0.13</td></tr> <tr><td>36</td><td>PLC</td><td>±0.13</td></tr> <tr><td>37</td><td>PLC</td><td>±0.13</td></tr> <tr><td>38</td><td>PLC</td><td>±0.13</td></tr> <tr><td>39</td><td>PLC</td><td>±0.13</td></tr> <tr><td>40</td><td>PLC</td><td>±0.13</td></tr> <tr><td>41</td><td>PLC</td><td>±0.13</td></tr> <tr><td>42</td><td>PLC</td><td>±0.13</td></tr> <tr><td>43</td><td>PLC</td><td>±0.13</td></tr> <tr><td>44</td><td>PLC</td><td>±0.13</td></tr> <tr><td>45</td><td>PLC</td><td>±0.13</td></tr> <tr><td>46</td><td>PLC</td><td>±0.13</td></tr> <tr><td>47</td><td>PLC</td><td>±0.13</td></tr> <tr><td>48</td><td>PLC</td><td>±0.13</td></tr> <tr><td>49</td><td>PLC</td><td>±0.13</td></tr> <tr><td>50</td><td>PLC</td><td>±0.13</td></tr> </table>		0	PLC	±0.13	1	PLC	±0.2	2	PLC	±0.13	3	PLC	±0.13	4	PLC	±0.13	5	PLC	±0.13	6	PLC	±0.13	7	PLC	±0.13	8	PLC	±0.13	9	PLC	±0.13	10	PLC	±0.13	11	PLC	±0.13	12	PLC	±0.13	13	PLC	±0.13	14	PLC	±0.13	15	PLC	±0.13	16	PLC	±0.13	17	PLC	±0.13	18	PLC	±0.13	19	PLC	±0.13	20	PLC	±0.13	21	PLC	±0.13	22	PLC	±0.13	23	PLC	±0.13	24	PLC	±0.13	25	PLC	±0.13	26	PLC	±0.13	27	PLC	±0.13	28	PLC	±0.13	29	PLC	±0.13	30	PLC	±0.13	31	PLC	±0.13	32	PLC	±0.13	33	PLC	±0.13	34	PLC	±0.13	35	PLC	±0.13	36	PLC	±0.13	37	PLC	±0.13	38	PLC	±0.13	39	PLC	±0.13	40	PLC	±0.13	41	PLC	±0.13	42	PLC	±0.13	43	PLC	±0.13	44	PLC	±0.13	45	PLC	±0.13	46	PLC	±0.13	47	PLC	±0.13	48	PLC	±0.13	49	PLC	±0.13	50	PLC	±0.13	WEIGHT:	SHEET 2 OF 3
0	PLC	±0.13																																																																																																																																																										
1	PLC	±0.2																																																																																																																																																										
2	PLC	±0.13																																																																																																																																																										
3	PLC	±0.13																																																																																																																																																										
4	PLC	±0.13																																																																																																																																																										
5	PLC	±0.13																																																																																																																																																										
6	PLC	±0.13																																																																																																																																																										
7	PLC	±0.13																																																																																																																																																										
8	PLC	±0.13																																																																																																																																																										
9	PLC	±0.13																																																																																																																																																										
10	PLC	±0.13																																																																																																																																																										
11	PLC	±0.13																																																																																																																																																										
12	PLC	±0.13																																																																																																																																																										
13	PLC	±0.13																																																																																																																																																										
14	PLC	±0.13																																																																																																																																																										
15	PLC	±0.13																																																																																																																																																										
16	PLC	±0.13																																																																																																																																																										
17	PLC	±0.13																																																																																																																																																										
18	PLC	±0.13																																																																																																																																																										
19	PLC	±0.13																																																																																																																																																										
20	PLC	±0.13																																																																																																																																																										
21	PLC	±0.13																																																																																																																																																										
22	PLC	±0.13																																																																																																																																																										
23	PLC	±0.13																																																																																																																																																										
24	PLC	±0.13																																																																																																																																																										
25	PLC	±0.13																																																																																																																																																										
26	PLC	±0.13																																																																																																																																																										
27	PLC	±0.13																																																																																																																																																										
28	PLC	±0.13																																																																																																																																																										
29	PLC	±0.13																																																																																																																																																										
30	PLC	±0.13																																																																																																																																																										
31	PLC	±0.13																																																																																																																																																										
32	PLC	±0.13																																																																																																																																																										
33	PLC	±0.13																																																																																																																																																										
34	PLC	±0.13																																																																																																																																																										
35	PLC	±0.13																																																																																																																																																										
36	PLC	±0.13																																																																																																																																																										
37	PLC	±0.13																																																																																																																																																										
38	PLC	±0.13																																																																																																																																																										
39	PLC	±0.13																																																																																																																																																										
40	PLC	±0.13																																																																																																																																																										
41	PLC	±0.13																																																																																																																																																										
42	PLC	±0.13																																																																																																																																																										
43	PLC	±0.13																																																																																																																																																										
44	PLC	±0.13																																																																																																																																																										
45	PLC	±0.13																																																																																																																																																										
46	PLC	±0.13																																																																																																																																																										
47	PLC	±0.13																																																																																																																																																										
48	PLC	±0.13																																																																																																																																																										
49	PLC	±0.13																																																																																																																																																										
50	PLC	±0.13																																																																																																																																																										
MATERIAL:		FINISH:	RESTRICTED TO:																																																																																																																																																									
CUSTOMER DRAWING		SCALE 2:1	REV A.1																																																																																																																																																									

REVISONS		DATE	BY	APPROV
P	LYR	DESCRIPTION		
-	-	SEE SHEET 1	-	-



SECTION Z-Z  
SCALE 4:1

2106091-1 SHOWN IN POCKET TAPE

THIS DRAWING IS A CONTROLLED DOCUMENT.		OWN C. DAILY 14MAR2008	TE Connectivity	
DIMENSIONS: mm		CHK M. MOSTOLLER APPROV	ASSEMBLY, THRU BOARD INVERTED SMT CONNECTOR	
TOLERANCES UNLESS OTHERWISE SPECIFIED:		PRODUCT SPEC	RESTRICTED TO	
<ul style="list-style-type: none"> <li>Ø PLC ±0.2</li> <li>1 PLC ±0.13</li> <li>3 PLC ±0.13</li> <li>Ø PLC ±0.13</li> <li>Ø PLC ±0.13</li> <li>ANGLES ±°</li> </ul>		APPLICATION SPEC	SIZE CASE CODE DRAWING NO	
MATERIAL	FINISH	WEIGHT	A2 00779	©-2106091
CUSTOMER DRAWING		SCALE 2:1	SHEET 3 OF 3	REV A.1