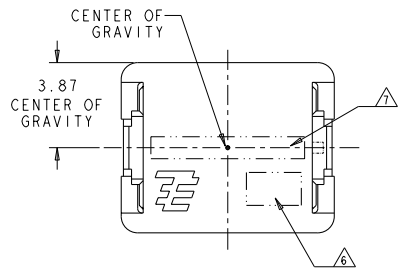
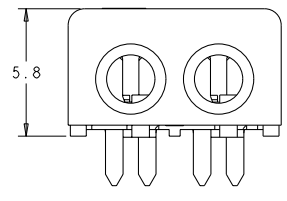
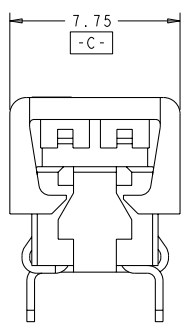
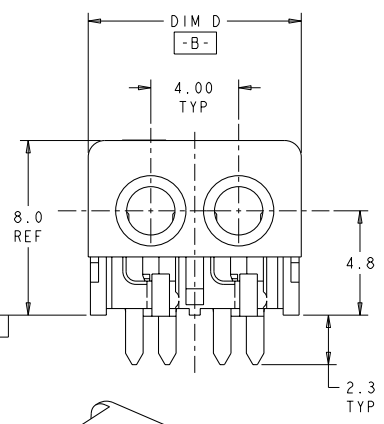


REV	DATE	BY	APPV	DESCRIPTION
A	15DEC2010	HMR	DD	REVISED PER ECR-10-025509



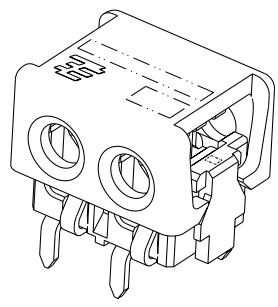
2 POSITION
SHOWN AS SHIPPED



2 POSITION
SHOWN CLOSED
SCALE 8:1

- △ MATERIALS AND FINISH:
 - HOUSING: LCP, COLOR: NATURAL
 - CONTACTS: COPPER ALLOY, FINISH: Sn OVER Ni
 2. COMPLY WITH DIRECTIVE 2002/95/EC (ROHS)
 3. THIS PRODUCT HAS NOT COMPLETED VALIDATION TESTING
 4. 18AWG SOLID OR STRANDED WIRE, PRE-BONDED, 19 STRANDS OR LESS:
 18 AWG MAX INSULATION OD 2.20
 20 AWG MAX INSULATION OD 1.90
 22 AWG MAX INSULATION OD 1.70
 24 AWG MAX INSULATION OD 1.45
 5. PACKAGE IN TAPE AND REEL PER EIA-481 SPECIFICATION
- △ WIRE SIZE MARKING IN APPROXIMATE LOCATON SHOWN.
- △ COLOR CODE MARKING, STRAIGHT LINE.
- △ ONE POSITION ASSEMBLY DOES NOT COMPLY WITH EIA 481 SPECIFICATION.

COLOR CODE	DIM D	WIRE SIZE	POSN	PART NUMBER
RED	17.70	24 AWG	4	3-2106751-4
	13.70	24 AWG	3	3-2106751-3
	9.70	24 AWG	2	3-2106751-2
	5.70	24 AWG	1	3-2106751-1
GREEN	17.70	22 AWG	4	2-2106751-4
	13.70	22 AWG	3	2-2106751-3
	9.70	22 AWG	2	2-2106751-2
	5.70	22 AWG	1	2-2106751-1
BLUE	17.70	20 AWG	4	1-2106751-4
	13.70	20 AWG	3	1-2106751-3
	9.70	20 AWG	2	1-2106751-2
	5.70	20 AWG	1	1-2106751-1
YELLOW	17.70	18 AWG	4	2106751-4
	13.70	18 AWG	3	2106751-3
	9.70	18 AWG	2	2106751-2
	5.70	18 AWG	1	2106751-1

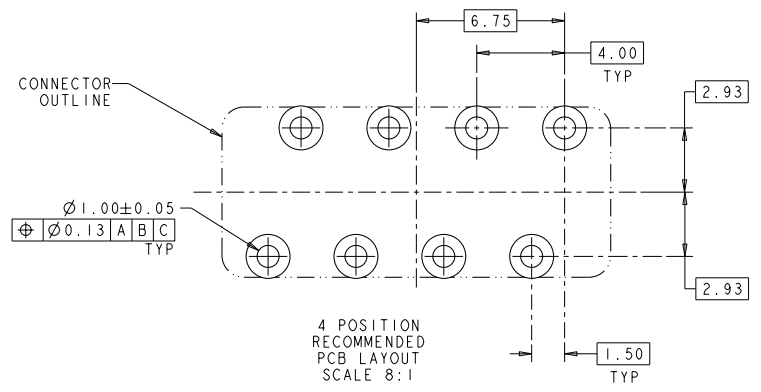
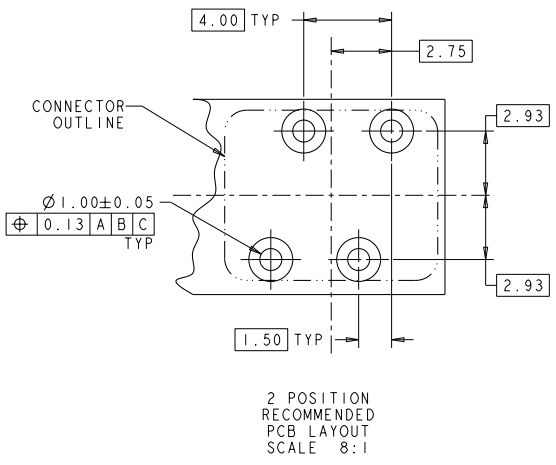
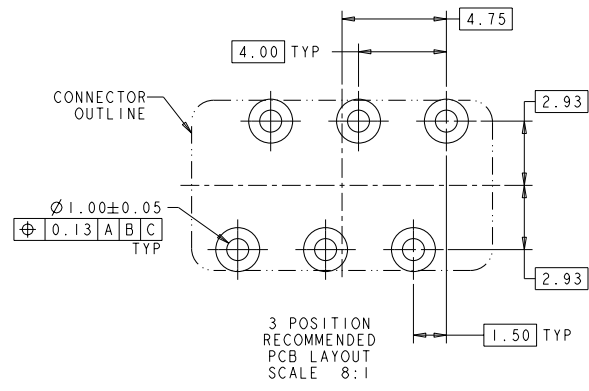
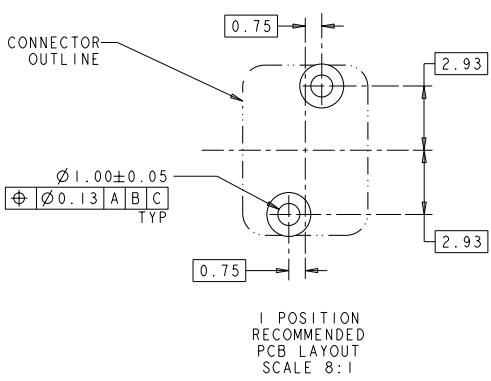


DIMENSIONS: mm 0 PLC ±0.5 1 PLC ±0.13 2 PLC ±0.13 3 PLC ±0.13 4 PLC ±0.13 ANGLES ±0.13 MATERIAL △ FINISH △		TO DRAWING ONLY OPERATING SPECIFICATIONS PRODUCT SPEC 108-2404 APPLICATION SPEC 114-13266 WEIGHT CUSTOMER DRAWING	DWG: 26AUG2009 NAME: WM VAN SLOO DESIGNED BY: D. OSAGIE DATE: 26AUG2009 Tyco Electronics Harrisburg, PA 17105-3608 ASSEMBLY, IDC SSL CONNECTOR, THROUGH HOLE, PASS THRU SHEET CASE CODE DRAWING NO: A200779 PART NUMBER: 2106751 SCALE: 6:1 SHEET 1 OF 3 REV A
---	--	--	---

4 20 3

THIS DRAWING IS UNPUBLISHED. RELEASED FOR PUBLICATION BY TYCO ELECTRONICS CORPORATION. ALL RIGHTS RESERVED. COPYRIGHT 20

LOC	DIST	REVISIONS				
CM	00	REV	DESCRIPTION	DATE	BY	APPR
		-	SEE SHEET 1	-	-	-

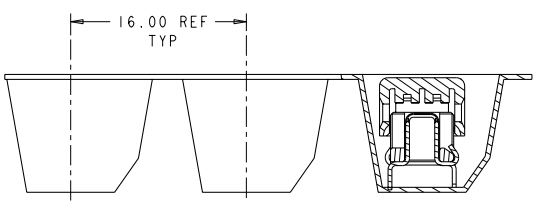
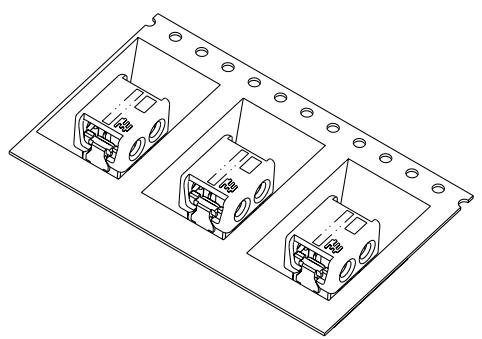
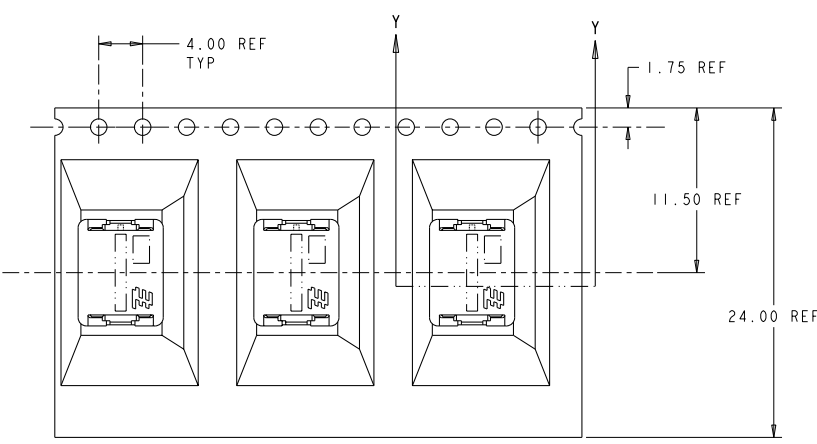


DIMENSIONS: mm 		TO: BRAND'S ONLY OPERATING SPECIFICATIONS 0 PLC ±0 1 PLC ±0.5 2 PLC ±0.13 3 PLC ±0.25 4 PLC ±0.5 ANGLES ±0.1		DATE: 28AUG2009 DWN: MM_VAN_SCHUUR CBY: O. OSAGIE DATE: 28AUG2009 APPRO:		Tyco Electronics Harrisburg, PA 17105-3608	
MATERIAL: - FINISH: -		WEIGHT: - CUSTOMER DRAWING: -		PRODUCT SPEC: - APPLICATION SPEC: -		ASSEMBLY: IDC SSL CONNECTOR, THROUGH HOLE, PASS THRU SCALE: 8:1 SHEET 2 OF 3 REV A	

AMP 1471-B REV 3/04/2000

THIS DRAWING IS UNPUBLISHED. RELEASED FOR PUBLICATION BY TYCO ELECTRONICS CORPORATION. ALL RIGHTS RESERVED. COPYRIGHT 20

LOC	DIST	REVISIONS					
		P	LYR	DESCRIPTION	DATE	BY	APPR
CM	00	-	-	SEE SHEET 1	-	-	-



SECTION Y-Y

2106751-2 SHOWN IN POCKET TAPE

<small>TOP DIMENSIONS CONTROLLED BY THE CUSTOMER'S DIMENSIONS. DIMENSIONS SHOWN IN PARENTHESES ARE FOR THE CUSTOMER'S REFERENCE.</small>		DWN: 28AUG2009 MM_VAN_SCHW CBY: O. OSAGIE 28AUG2009	Tyco Electronics Harrisburg, PA 17105-3608
DIMENSIONS: mm	TO DIMENSIONS ONLY OPTIMIZED SPECIFIED:	NAME: PRODUCT SPEC: APPLICATION SPEC:	ASSEMBLY: IDC SSL CONNECTOR, THROUGH HOLE, PASS THRU
MATERIAL: FINISH:	WEIGHT: CUSTOMER DRAWING	SHEET: A200779 CASE CODE: C-2106751 DRAWING NO:	RESTRICTED TO:
		SCALE: 6:1	SHEET 3 OF 3 REV A

AMP 1471-B REV 3/04/2000