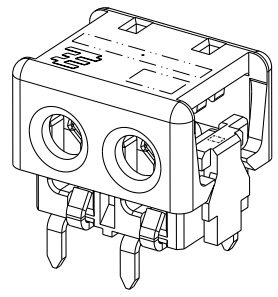
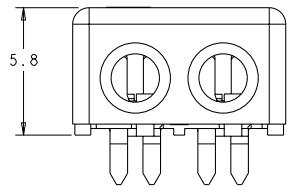
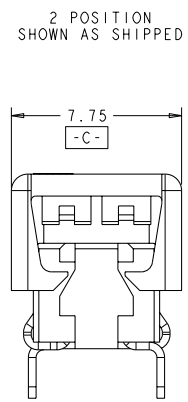
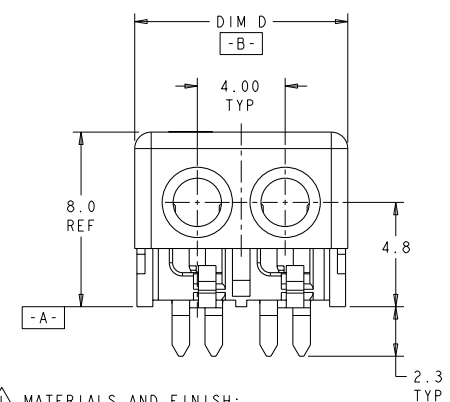
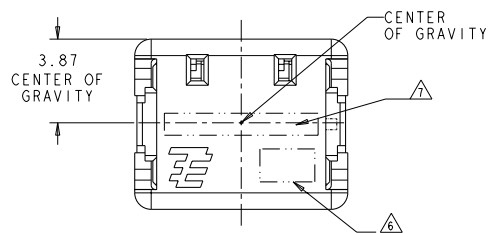


LOC	DIST	REVISIONS					
CM	00	P	LYR	DESCRIPTION	DATE	BY	APPR
		A		REVISED PER ECR-10-025509	15DEC2010	HMR	DD



- △ MATERIALS AND FINISH:
 - HOUSING: LCP, COLOR: NATURAL
 - CONTACTS: COPPER ALLOY, FINISH: Sn OVER Ni
- COMPLY WITH DIRECTIVE 2002/95/EC (ROHS)
 - THIS PRODUCT HAS NOT COMPLETED VALIDATION TESTING
 - 18AWG SOLID OR STRANDED WIRE, PRE-BONDED, 19 STRANDS OR LESS:
 18 AWG MAX INSULATION OD: 2.20
 20 AWG MAX INSULATION OD: 1.90
 22 AWG MAX INSULATION OD: 1.70
 24 AWG MAX INSULATION OD: 1.45
 - PACKAGE IN TAPE AND REEL PER EIA-481 SPECIFICATION
- △ WIRE SIZE MARKING IN APPROXIMATE LOCATON SHOWN.
 △ COLOR CODE MARKING, STRAIGHT LINE.
 △ ONE POSITION ASSEMBLY DOES NOT COMPLY WITH EIA 481 SPECIFICATION.

COLOR CODE	DIM D	WIRE SIZE	POSN	PART NUMBER
RED	17.70	24 AWG	4	3-2106489-4
	13.70	24 AWG	3	3-2106489-3
	9.70	24 AWG	2	3-2106489-2
	5.70	24 AWG	1	3-2106489-1
GREEN	17.70	22 AWG	4	2-2106489-4
	13.70	22 AWG	3	2-2106489-3
	9.70	22 AWG	2	2-2106489-2
	5.70	22 AWG	1	2-2106489-1
BLUE	17.70	20 AWG	4	1-2106489-4
	13.70	20 AWG	3	1-2106489-3
	9.70	20 AWG	2	1-2106489-2
YELLOW	17.70	18 AWG	4	2106489-4
	13.70	18 AWG	3	2106489-3
	9.70	18 AWG	2	2106489-2
	5.70	18 AWG	1	2106489-1

DIMENSIONS:		TO DRAWING ONLY		DATE	
mm		DATE		DATE	
0 PLC		DATE		DATE	
1 PLC		DATE		DATE	
2 PLC		DATE		DATE	
3 PLC		DATE		DATE	
4 PLC		DATE		DATE	
ANGLES		DATE		DATE	
FINISH		DATE		DATE	

TYCO ELECTRONICS CORPORATION
 HARRISBURG, PA 17105-3608

ASSEMBLY, IDC SSL CONNECTOR, THROUGH HOLE, CLOSED END

SCALE: 6:1 SHEET 1 OF 3 REV A

4

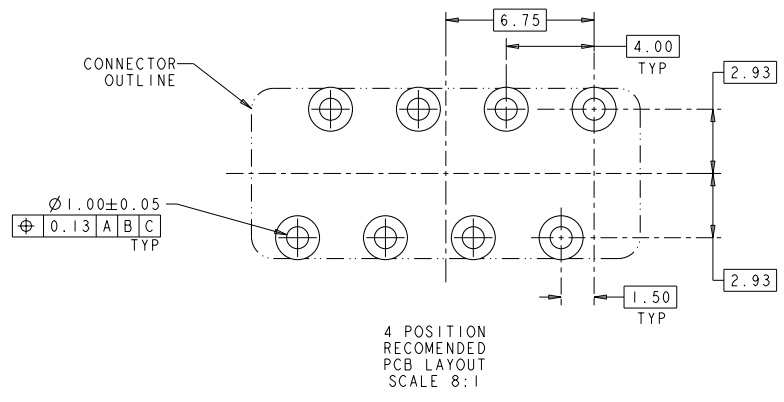
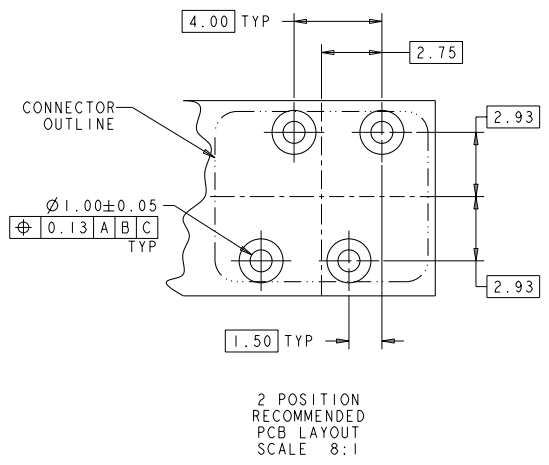
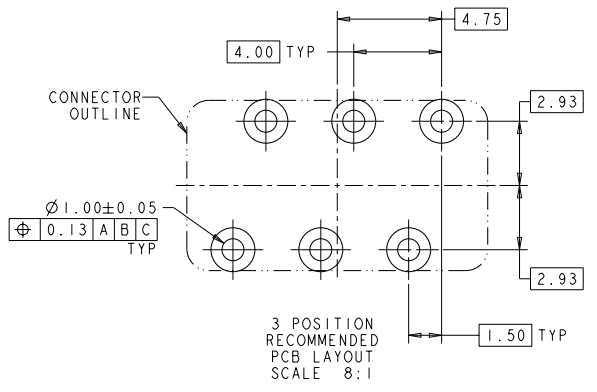
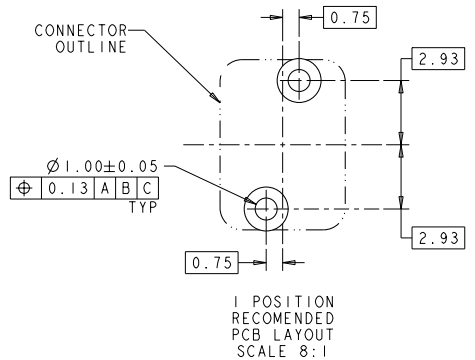
3

2

1

THIS DRAWING IS UNPUBLISHED. RELEASED FOR PUBLICATION. BY TYCO ELECTRONICS CORPORATION. ALL RIGHTS RESERVED.

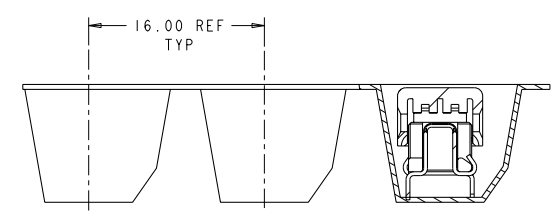
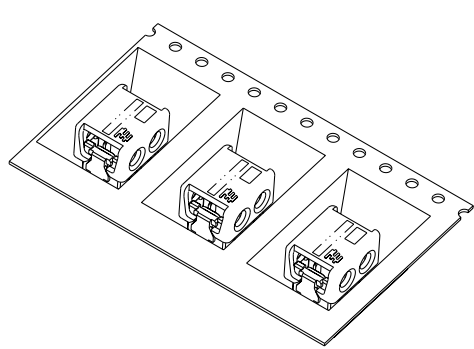
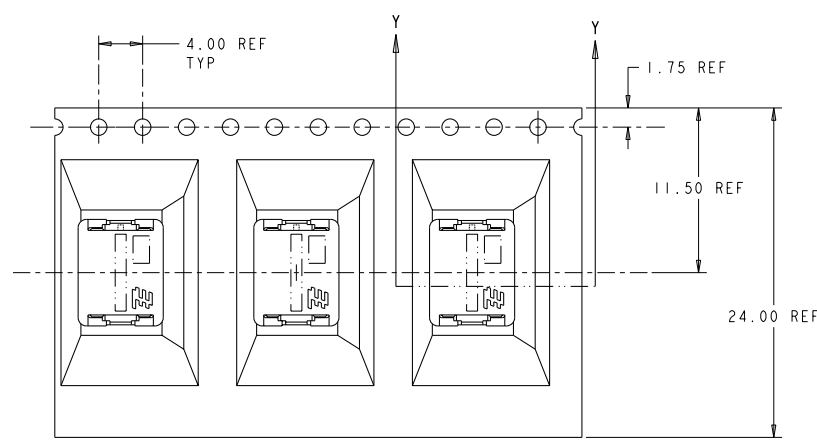
REV	DATE	BY	APPROV	DESCRIPTION
-	-	-	-	SEE SHEET 1



DIMENSIONS: mm TO BRACKET ONLY OPERATIVE SPECIFICS:		DATE: 11 JUN 2009 C. DAILY O. OSAGLE APPROV:	Tyco Electronics Harrisburg, PA 17105-3608
0 PLC ±0 1 PLC ±0.5 2 PLC ±0.13 3 PLC ±0.13 4 PLC ±0.13 ANGLES ±	PRODUCT SPEC APPLICATION SPEC	NAME ASSEMBLY, IDC SSL CONNECTOR, THROUGH HOLE, CLOSED END	RESTRICTED TO
MATERIAL: - FINISH: -	WEIGHT: - CUSTOMER DRAWING	SIZE: A2 CASE CODE: 00779 DRAWING NO: C-2106489	SCALE: 6:1 SHEET: 2 OF 3 REV: A

THIS DRAWING IS UNPUBLISHED. RELEASED FOR PUBLICATION BY TYCO ELECTRONICS CORPORATION. ALL RIGHTS RESERVED. COPYRIGHT 20

LOC	DIST	REVISIONS			
P	LYR	DESCRIPTION	DATE	BY	APPR
-	-	SEE SHEET 1	-	-	-



SECTION Y-Y

2106489-2 SHOWN IN POCKET TAPE

<small>TOP DRAWING IS UNPUBLISHED. RELEASED FOR PUBLICATION BY TYCO ELECTRONICS CORPORATION. ALL RIGHTS RESERVED. COPYRIGHT 20</small>		DWG C DAILY 11JUN2009	Tyco Electronics Harrisburg, PA 17105-3608
<small>THIS DRAWING IS UNPUBLISHED. RELEASED FOR PUBLICATION BY TYCO ELECTRONICS CORPORATION. ALL RIGHTS RESERVED. COPYRIGHT 20</small>		CD O. OSAGIE 11JUN2009	Tyco Electronics
DIMENSIONS: mm		PRODUCT SPEC APPLICATION SPEC	NAME ASSEMBLY, IDC SSL CONNECTOR, THROUGH HOLE, CLOSED END
<small>TO DIMENSIONS UNLESS OTHERWISE SPECIFIED</small>		WEIGHT CUSTOMER DRAWING	SHEET CASE CODE DRAWING NO A200779 ©-2106489
MATERIAL FINISH		RESTRICTED TO	SCALE 6:1 SHEET 3 OF 3 REV A

AMP 1471-B REV 3/04/2000