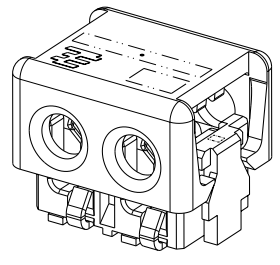
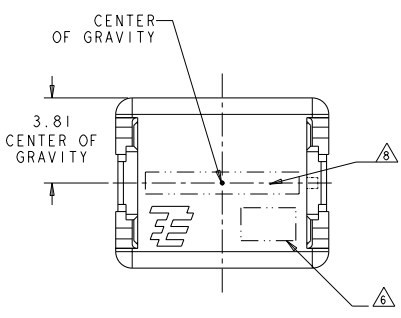
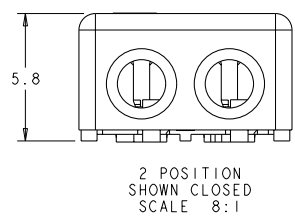
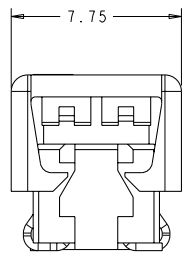
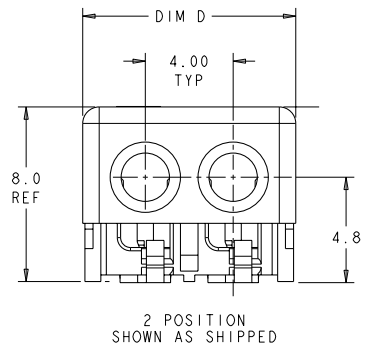


REV	DATE	BY	APPV
A	15DEC2010	HMR	DD



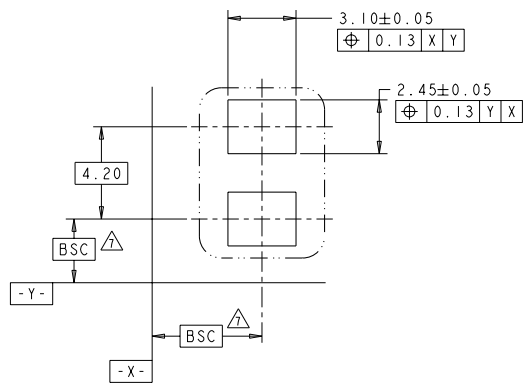
- △ MATERIALS AND FINISH:
  - HOUSING: LCP, COLOR: NATURAL
  - CONTACTS: COPPER ALLOY, FINISH: Sn OVER Ni
- 2. COMPLY WITH DIRECTIVE 2002/95/EC (ROHS).
- 3. THIS PRODUCT HAS NOT COMPLETED VALIDATION TESTING.
- 4. 18-22AWG SOLID OR STRANDED WIRE, PRE-BONDED, 19 STRANDS OR LESS:
  - 18AWG MAX INSULATION OD: 2.20
  - 20AWG MAX INSULATION OD: 1.90
  - 22AWG MAX INSULATION OD: 1.70
  - 24AWG MAX INSULATION OD: 1.45
- 5. PACKAGE IN TAPE AND REEL PER EIA-481 SPECIFICATION, EXCEPT I POSITION CONNECTOR.
- △ 6. WIRE SIZE MARKING IN APPROXIMATE LOCATION SHOWN.
- △ 7. DATUMS AND BASIC DIMENSIONS ESTABLISHED BY CUSTOMER.
- △ 8. COLOR CODE MARKING, STRAIGHT LINE.
- △ 9. I POSITION ASSEMBLY DOES NOT COMPLY WITH EIA 481 SPECIFICATION.



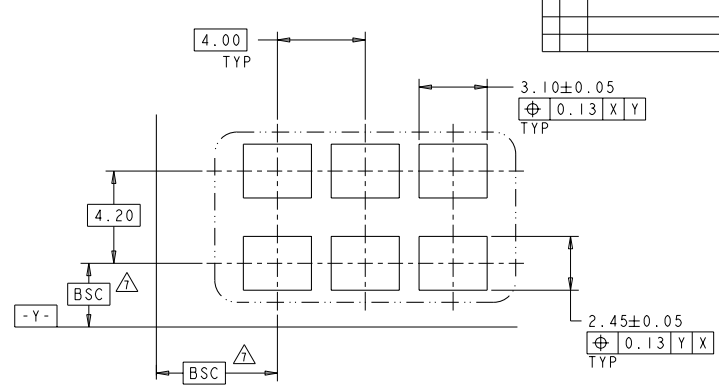
COLOR CODE	DIM D	WIRE SIZE	POSN	PART NUMBER
RED	17.70	24 AWG	4	3-2106431-4
	13.70	24 AWG	3	3-2106431-3
	9.70	24 AWG	2	3-2106431-2
	5.70	24 AWG	1	△ 3-2106431-1
GREEN	17.70	22 AWG	4	2-2106431-4
	13.70	22 AWG	3	2-2106431-3
	9.70	22 AWG	2	2-2106431-2
BLUE	17.70	20 AWG	4	1-2106431-4
	13.70	20 AWG	3	1-2106431-3
	9.70	20 AWG	2	1-2106431-2
YELLOW	17.70	18 AWG	4	2106431-4
	13.70	18 AWG	3	2106431-3
	9.70	18 AWG	2	2106431-2
	5.70	18 AWG	1	△ 2106431-1

DATE: 09DEC2008	DATE: 09DEC2008	DATE: 09DEC2008	DATE: 09DEC2008
BY: J. DYER	BY: J. DYER	BY: J. DYER	BY: J. DYER
APPV: [Signature]	APPV: [Signature]	APPV: [Signature]	APPV: [Signature]
DIMENSIONS: mm	TO: PLG #0.5	TO: PLG #0.13	TO: PLG #0.13
PRODUCT SPEC: 108-2404	APPLICATION SPEC: 114-13266	WEIGHT: -	CUSTOMER DRAWING
SCALE: 2:1	SHEET: 1	OF: 3	REV: A

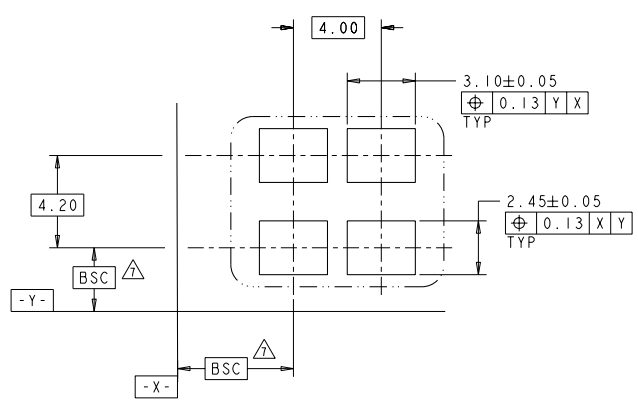
REV	DATE	BY	APPROV	DESCRIPTION
-	-	-	-	SEE SHEET 1
-	-	-	-	-
-	-	-	-	-



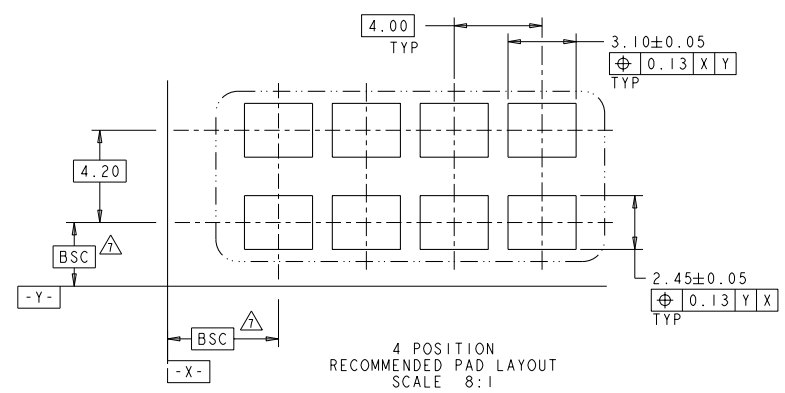
1 POSITION  
RECOMMENDED PAD LAYOUT  
SCALE 8:1



3 POSITION  
RECOMMENDED PAD LAYOUT  
SCALE 8:1

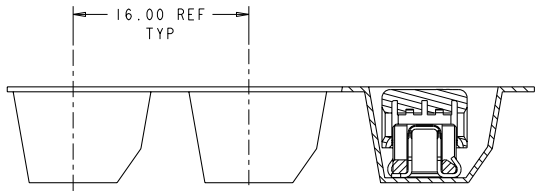
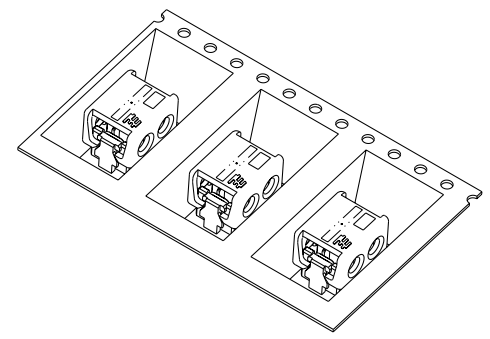
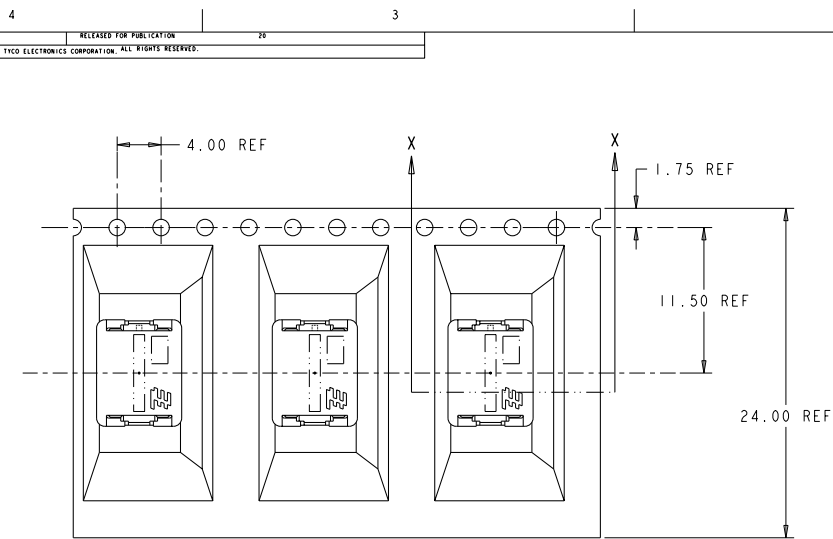


2 POSITION  
RECOMMENDED PAD LAYOUT  
SCALE 8:1



4 POSITION  
RECOMMENDED PAD LAYOUT  
SCALE 8:1

DIMENSIONS: mm 		TO: BRAND'S ONLY OPERATIVE SPECIFICATIONS 0 PLC ±0.5 1 PLC ±0.5 2 PLC ±0.13 3 PLC ±0.13 4 PLC ±0.13 ANGLES ±0.13 MATERIAL - FINISH -	DATE: 09DEC2008 C DAILY 09DEC2008 BY: DYER APPROV: - PRODUCT SPEC - APPLICATION SPEC - WEIGHT - CUSTOMER DRAWING	Tyco Electronics Harrisburg, PA 17105-3608 ASSEMBLY IDC SSL CONNECTOR, SMT, PASS THRU SHEET CASE CODE DRAWING NO A200779 ©=2106431 SCALE 2:1 SHEET 2 OF 3 REV A
-----------------------	--	---	---	--



SECTION X-X

2106431-2 SHOWN IN POCKET TAPE

THIS DRAWING IS UNPUBLISHED. RELEASED FOR PUBLICATION BY TYCO ELECTRONICS CORPORATION. ALL RIGHTS RESERVED. COPYRIGHT 20

LOC	DIST	REV	DESCRIPTION	DATE	BY	APPR
CM	00		SEE SHEET 1			

DIMENSIONS: mm 		TO BE MADE TO ORDER OPERATING SPECIFICATIONS: 0 PLC ±0.5 1 PLC ±0.5 2 PLC ±0.13 3 PLC ±0.13 4 PLC ±0.13 ANGLES ±0.13		DWG C DAILY 09DEC2008 CM J DYER 09DEC2008 APPO	Tyco Electronics Harrisburg, PA 17105-3608
MATERIAL -		FINISH -		PRODUCT SPEC - APPLICATION SPEC - WEIGHT - CUSTOMER DRAWING	ASSEMBLY IDC SSL CONNECTOR, SMT, PASS THRU SHEET CASE CODE DRAWING NO A200779 ©-2106431 SCALE 4:1 SHEET 3 OF 3 REV A

AMP 1471-B REV 31MAR2000